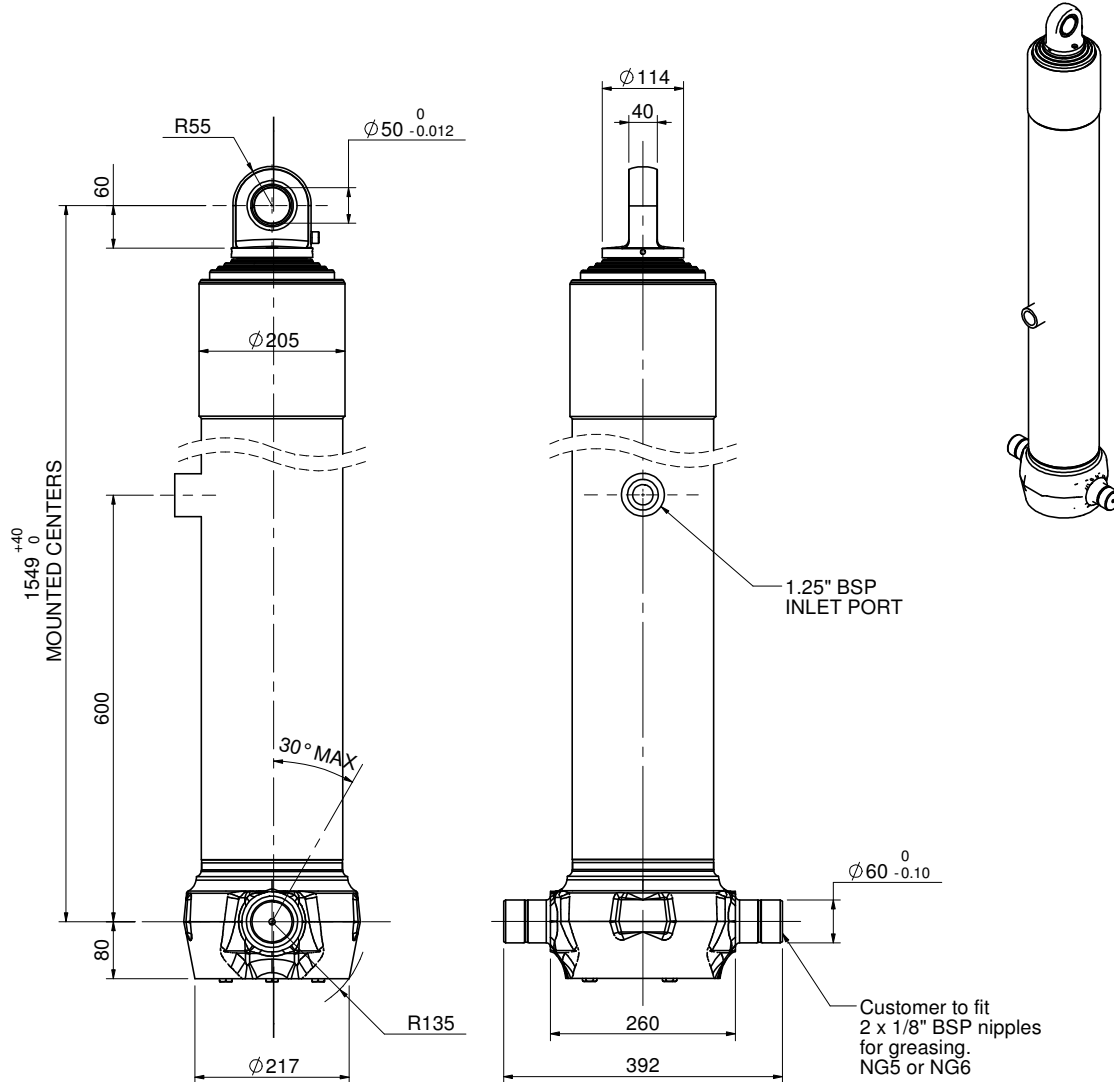


# Cylinder 5 stage front end with spherical eye

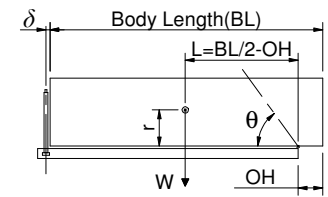
CS170S56483B60A01



SPECIFICATION		RATED CAPACITY : 28-39 TONNES*		
Stage	Diameter	Length	Stroke	Swept Volume
0	198.12	1525		
1	176.00	1490	1270	30.9
2	154.85	1490	1287	24.2
3	135.75	1490	1297	18.8
4	116.65	1490	1312	14.0
5	97.8	1490	1317	9.9
Final stroke reduced by	0	Total	6483	97.8
Cylinder Mass (Kg)	228	Priming Volume		21.0
Working Pressure (Bar)	135	Total Volume (Litres)		118.8
Maximum Pressure (Bar)	175	Max. first stage thrust		260 KN

**\*TIPPING CAPACITY AT RATED PRESSURE**

$\delta = 0 ; r = 900$



BODY LENGTH (BL)							OH
8000		8500		9000			
31	50°	30	46°	28	44°	150	
35	52°	32	48°	30	45°	450	
39	54°	35	50°	33	47°	750	

Tipping angle ( $\theta$ )  
Body + payload mass, W (tonne)

**For guidance only;**

Higher working pressures may be possible. To check your application, email Edbro plc at <applications@edbro.co.uk>

**NOTES**

- If hydraulic pressure is used to limit overloading, the system relief valve must be set to the Working Pressure unless agreed by Edbro.
- The system relief valve can be set to Maximum Pressure if the load is limited by other means.
- This cylinder is for lifting purposes only and sideload conditions must be avoided.
- Cylinder is painted in primer paint to RAL5010.
- See bracket options page 17BRKT01.
- See installation instructions INSTALL01.
- Use oil according to specification OIL01.

This drawing is available on request in PDF (2D), DXF (2D) or Parasolid (3D) via applications@edbro.co.uk



**Edbro plc**  
Nelson Street, Bolton, Lancashire BL3 2JJ UK  
Tel +44 (0) 1204 528888 Fax +44 (0) 1204 531957  
Email: postmaster@edbro.com Web: www.edbro.com

Technical Specifications are subject to change without notice  
Date Created/Updated: 23 January 2009 14:47:11  
Refer www.edbro.com to confirm latest specification  
All dimensions are in 'mm', unless otherwise stated