

Cylinder 5 stage front end with spherical eye

CS170S56483B70A01C

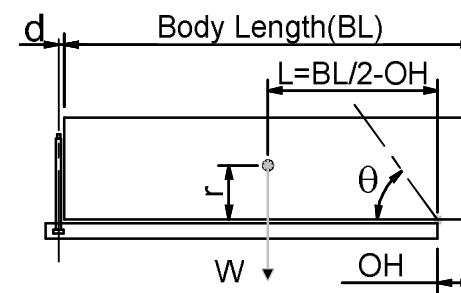
SPECIFICATION

RATED CAPACITY : 25-35 TONNES***

Stage	Diameter	Length	Stroke	Swept Volume
-	-	-	-	-
0	199	1525	-	-
1	176	1490	1267	31
2	155	1490	1287	24
3	136	1490	1297	19
4	117	1490	1312	14
5	98	1490	1317	10
Final stroke reduced by	0	Total (+5/-10)	6480	98
Cylinder Mass (Kg)	228.31	Priming Volume		20
Rated Pressure (Bar)	120	Total Volume (Litres)		118
Maximum Pressure (Bar)	175	Max. first stage thrust		260 KN

*****TIPPING CAPACITY AT RATED PRESSURE**

$d = 0 ; r = 900$



BODY LENGTH (BL)						OH
8000		8500		9000		
28	50°	26	46°	25	44°	150
31	52°	29	48°	27	45°	450
35	54°	32	50°	29	47°	750

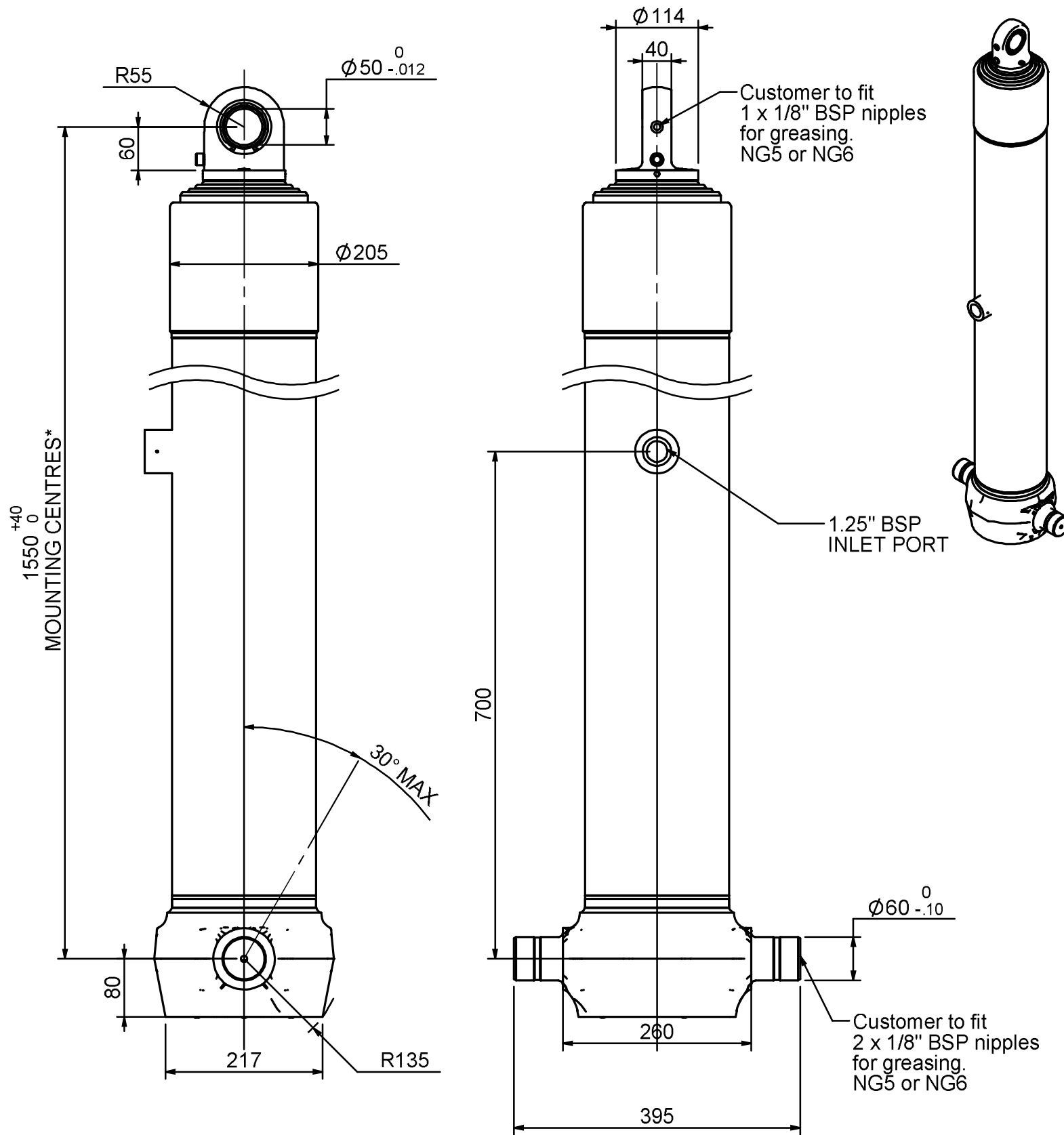
Tipping angle (θ)
 Body + payload mass, W (tonne)

For guidance only;

Higher Rated Pressures may be possible. To check your application, email Edbro plc at <applications@edbro.co.uk>

NOTES

- If hydraulic pressure is used to limit overloading, the system relief valve must be set to the Rated Pressure unless agreed otherwise by Edbro
- The system relief valve can be set to Maximum Pressure if the load is limited by other means. See RATINGS page for advice
- This cylinder is for lifting purposes only and sideload conditions must be avoided
- Cylinder is painted in primer paint to RAL5013
- See bracket options page BRKT01, BRKT02
- See installation instructions INSTALL01
- Use oil according to specification OIL01



*Includes 9mm Pull Out
All Stages Chrome Plated



Edbro plc
 Nelson Street, Bolton, Lancashire BL3 2JJ UK
 Tel +44 (0) 1204 528888 Fax +44 (0) 1204 531957
 Email: postmaster@edbro.com Web: www.edbro.com

Technical Specifications are subject to change without notice
 Date Created/Updated: 30 November 2011 16:53:25
 Refer www.edbro.com to confirm latest specification
 All dimensions are in 'mm', unless otherwise stated