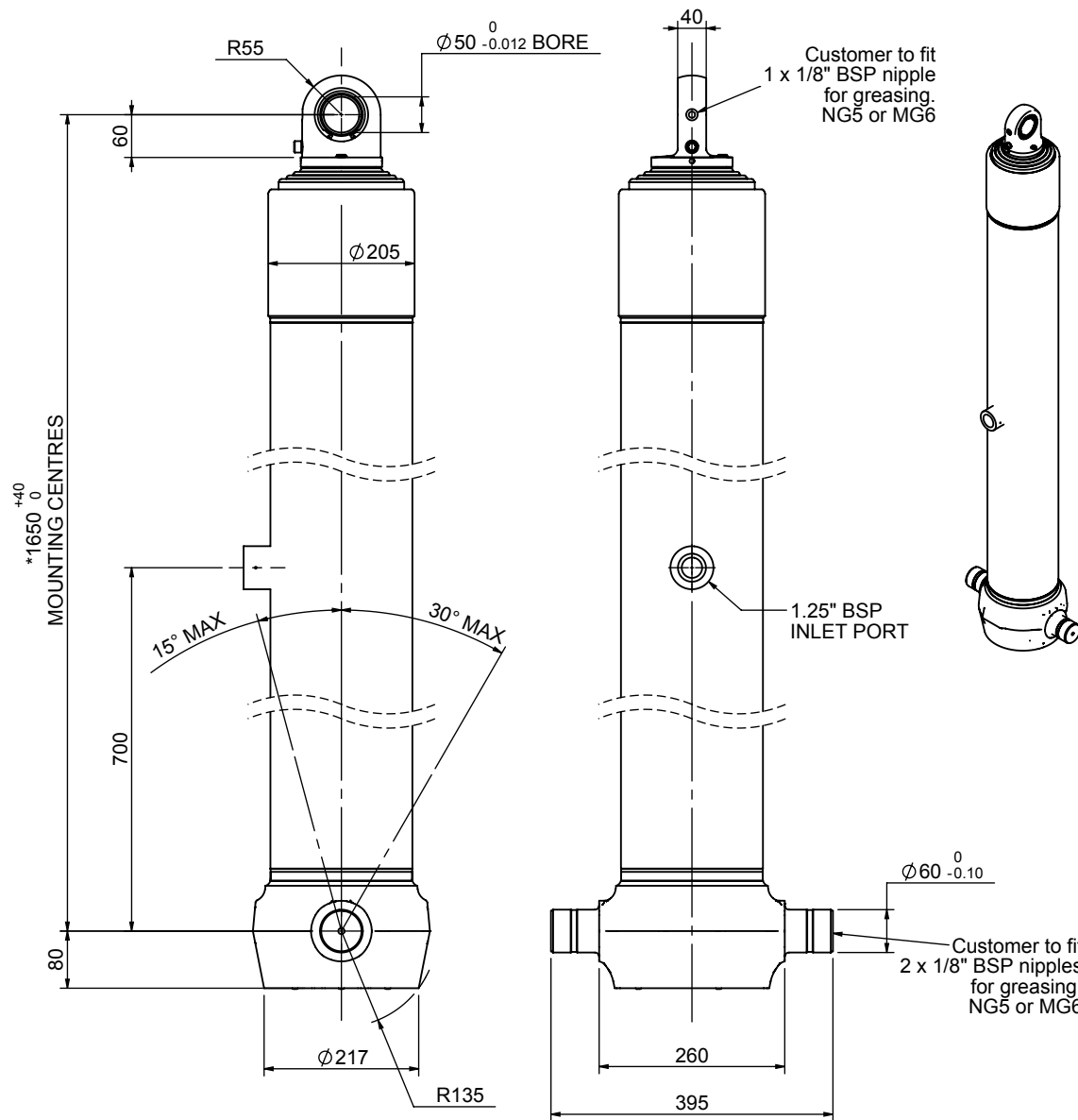


Cylinder 5 stage front end with spherical eye

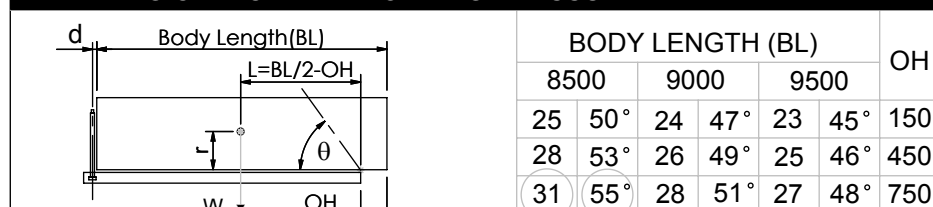
CS170S56983B70A01



SPECIFICATION

SPECIFICATION		TIPPING CAPACITY : 23-31 TONNES***		
Stage	Diameter	Length	Stroke	Swept Volume
-	-	-	-	-
0	199	1625	-	-
1	176	1590	1367	33
2	155	1590	1387	26
3	136	1590	1397	20
4	117	1590	1412	15
5	98	1590	1417	11
Total (+5/-10)			6980	105
Final stroke reduced by	0	Priming Volume	22	
Cylinder Mass (Kg)	241	Total Volume (Litres)	127	
Maximum Pressure (Bar)	190	Max. first stage thrust	265 KN	

***TIPPING CAPACITY AT WORKING PRESSURE



$d = 0; r = 900$; Working Pressure 110 bar

For guidance only;
Higher working pressures and tipping capacities may be possible.
To check your application email - applications@edbro.co.uk

NOTES

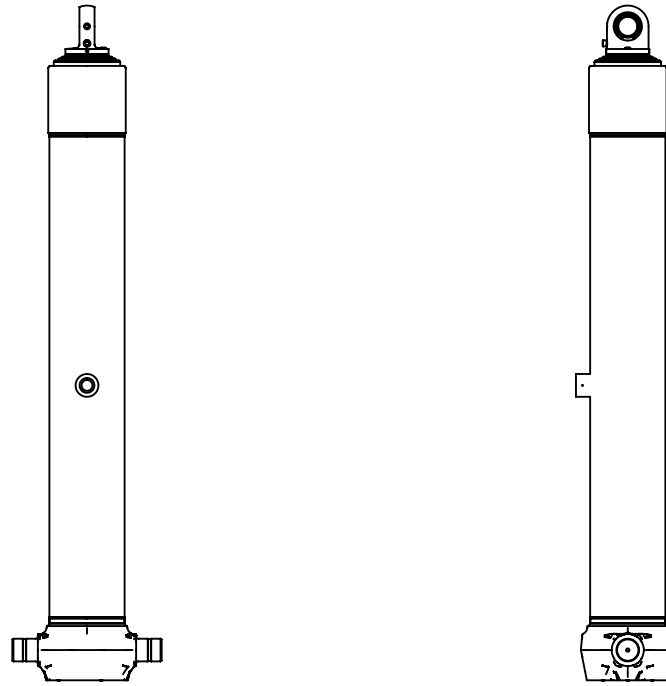
1. This cylinder is for lifting purposes only and side load conditions should be avoided
2. Cylinder is painted in primer paint to RAL5013
3. Refer to www.edbro.com for:-
 - Bracket details
 - Installation instructions that must be observed
 - Correct oil selection
 - An explanation of tipping capacity

*Includes 9mm Pull Out.
Last Stage Chrome Plated



Edbro plc
Nelson Street, Bolton, England, BL3 2JJ
Tel +44 (0) 1204 528888 Fax +44 (0) 1204 531957
Email: postmaster@edbro.com Web: www.edbro.com

Technical Specifications are subject to change without notice
Date Created/Updated: 15 August 2012
Refer www.edbro.com to confirm latest specification
All dimensions are in 'mm', unless otherwise stated



CS170S56983B70A01