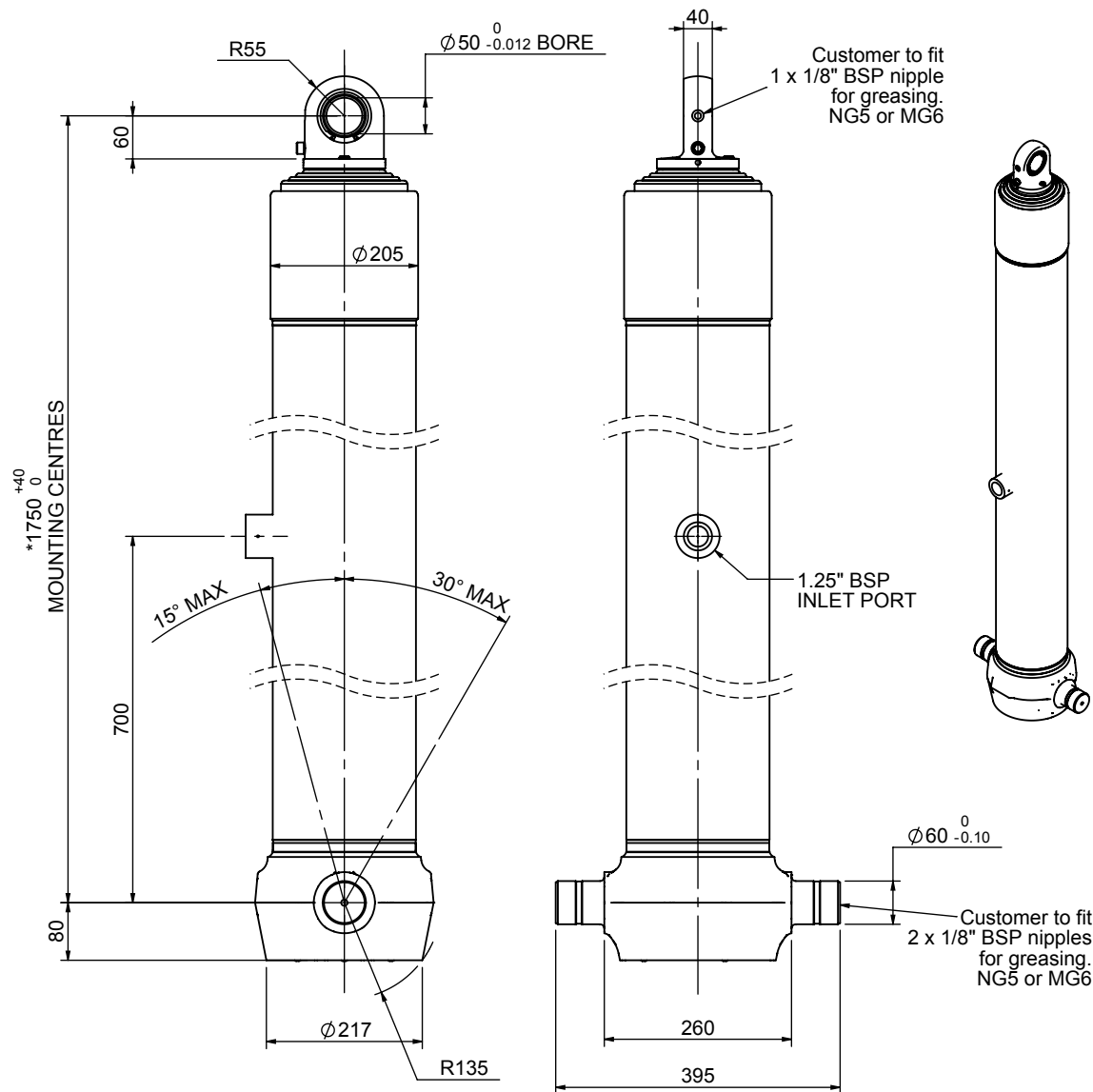


Cylinder 5 stage front end with spherical eye

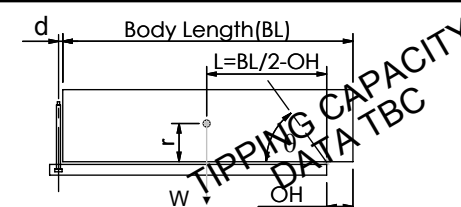


CS170S57033B70K01

SPECIFICATION **TIPPING CAPACITY : 23-31 TONNES*****

Stage	Diameter	Length	Stroke	Swept Volume
-	-	-	-	-
0	199	1725	-	-
1	176	1690	1467	36
2	155	1690	1487	28
3	136	1690	1497	22
4	117	1690	1512	16
5	98	1690	1067	8
Total (+5/-10)			7030	110
Final stroke reduced by	450	Priming Volume		22
Cylinder Mass (Kg)	253	Total Volume (Litres)		132
Maximum Pressure (Bar)	190	Max. first stage thrust		265 KN

*****TIPPING CAPACITY AT WORKING PRESSURE**



		BODY LENGTH (BL)				OH
		8500	9000	9500		
25	50°	24	47°	23	45°	150
28	53°	26	49°	25	46°	450
31	55°	28	51°	27	48°	750

d = 0; r = 900; Working Pressure 110 bar
For guidance only;
 Higher working pressures and tipping capacities may be possible.
 To check your application email - applications@edbro.co.uk

NOTES

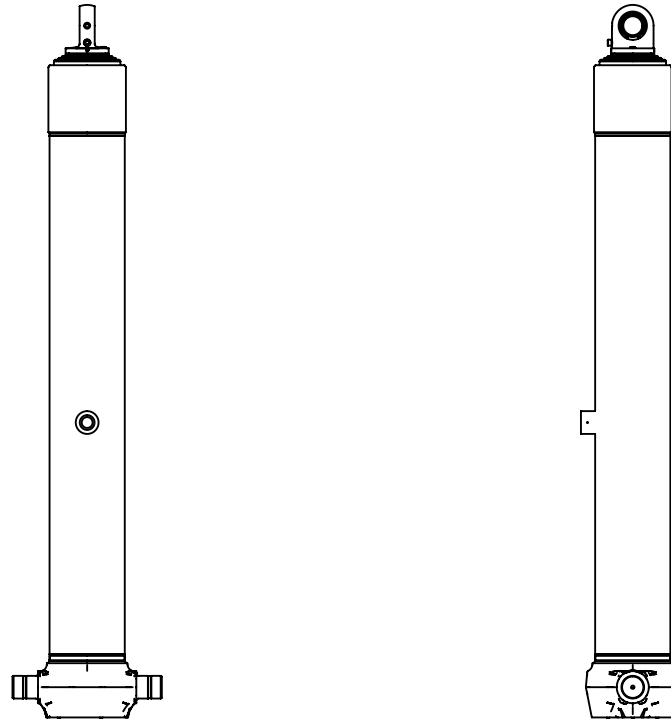
1. This cylinder is for lifting purposes only and side load conditions should be avoided
2. Cylinder is painted in primer paint to RAL5013
3. Refer to www.edbro.com for;-
 - Bracket details
 - Installation instructions that must be observed
 - Correct oil selection
 - An explanation of tipping capacity

*Includes 9mm Pull Out.
 Last Stage Chrome Plated



Edbro plc
 Nelson Street, Bolton, England, BL3 2JJ
 Tel +44 (0) 1204 528888 Fax +44 (0) 1204 531957
 Email: postmaster@edbro.com Web: www.edbro.com

Technical Specifications are subject to change without notice
 Date Created/Updated: 15 August 2012
 Refer www.edbro.com to confirm latest specification
 All dimensions are in 'mm', unless otherwise stated



CS170S57033B70K01