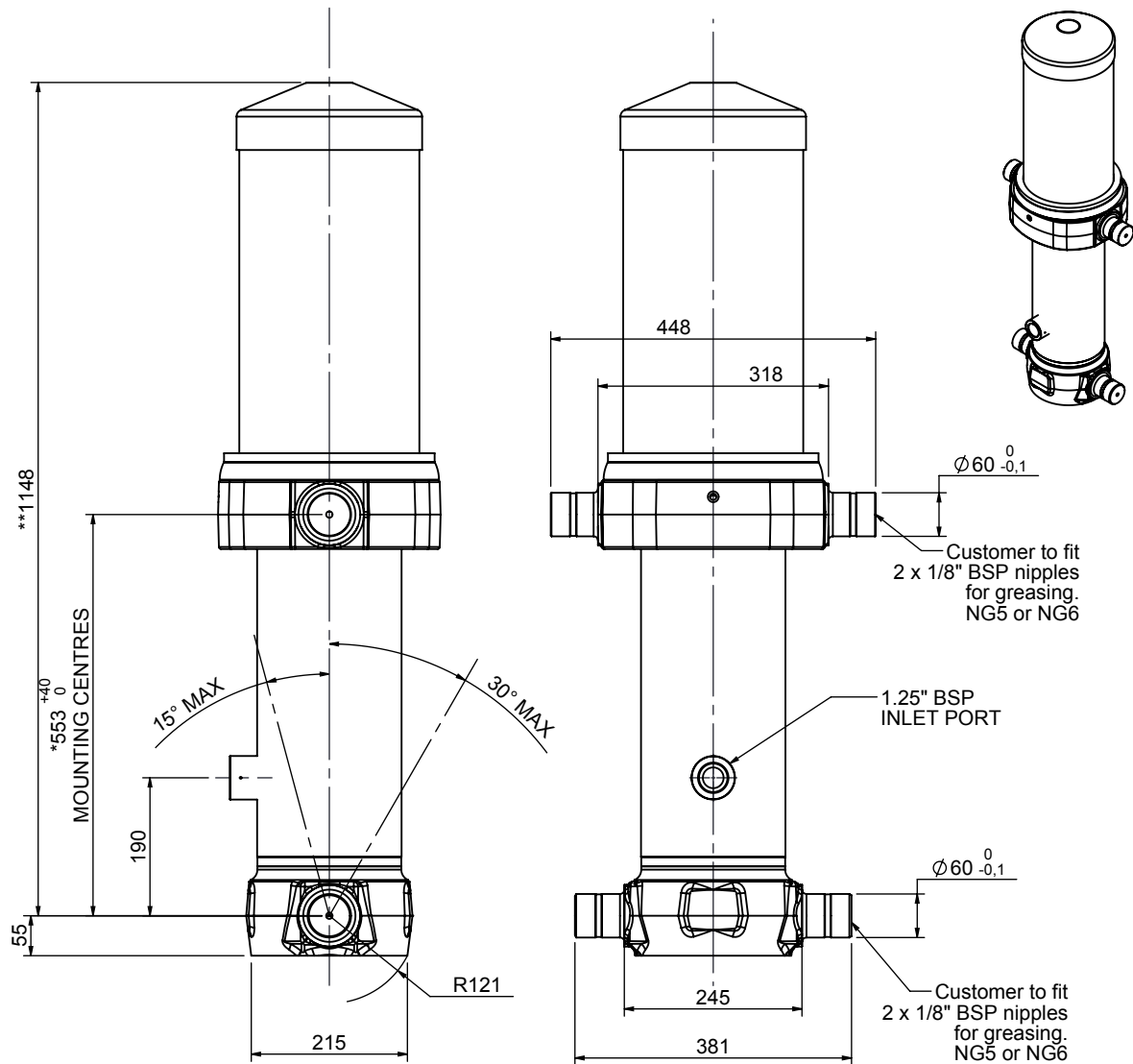


# Cylinder 5 stage front end with plain eye

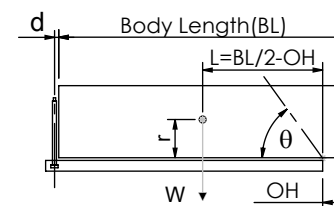


\*Includes 7mm Pull Out.

# CS17L054203B19A12C

SPECIFICATION		TIPPING CAPACITY : 27-50 TONNES***		
Stage	Diameter	Length	Stroke	Swept Volume
OUTER COVER	248	560	-	-
0	198	1069	-	-
1	176	1034	814	20
2	155	1034	831	16
3	136	1034	841	12
4	117	1034	856	9
5	98	1040	861	6
Total (+5/-10)			4203	63
Final stroke reduced by	0	Priming Volume	16.3	
Cylinder Mass (Kg)	206	Total Volume (Litres)	79.3	
Maximum Pressure (Bar)	190	Max. first stage thrust	200 KN	

## \*\*\*TIPPING CAPACITY AT WORKING PRESSURE



BODY LENGTH (BL)						OH
5250		5500		5750		
30	47°	29	45°	27	43°	150
37	50°	34	47°	31	45°	450
50	53°	43	51°	38	48°	750

d = 0; r = 900; Working Pressure 110 bar

### For guidance only;

Higher working pressures and tipping capacities may be possible.  
To check your application email - [applications@edbro.co.uk](mailto:applications@edbro.co.uk)

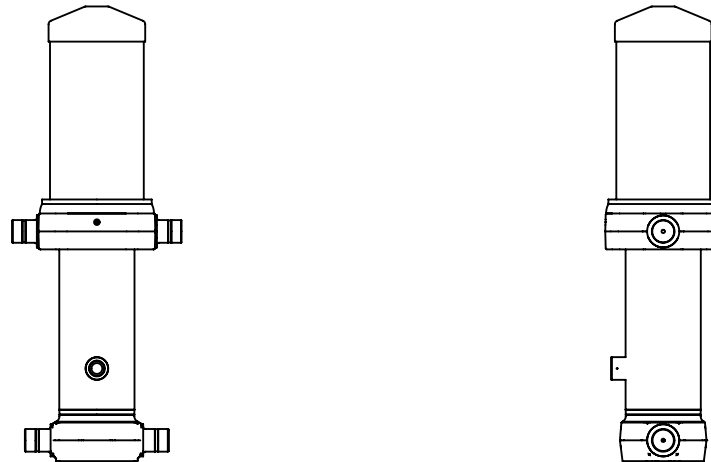
## NOTES

1. This cylinder is for lifting purposes only and side load conditions should be avoided
2. Cylinder is painted in primer paint to RAL5013
3. Refer to [www.edbro.com](http://www.edbro.com) for:-
  - Bracket details
  - Installation instructions that must be observed
  - Correct oil selection
  - An explanation of tipping capacity



**JOST UK Ltd**  
Edbro House, Nelson Street, Bolton, England, BL3 2JJ  
Tel +44 (0) 1204 528888 Fax +44 (0) 1204 531957  
Email: [sales@edbro.com](mailto:sales@edbro.com) Web: [www.edbro.com](http://www.edbro.com)

Technical Specifications are subject to change without notice  
Date Created/Updated: 02 April 2020  
Refer [www.edbro.com](http://www.edbro.com) to confirm latest specification  
All dimensions are in 'mm', unless otherwise stated



CS17L054203B19A12C