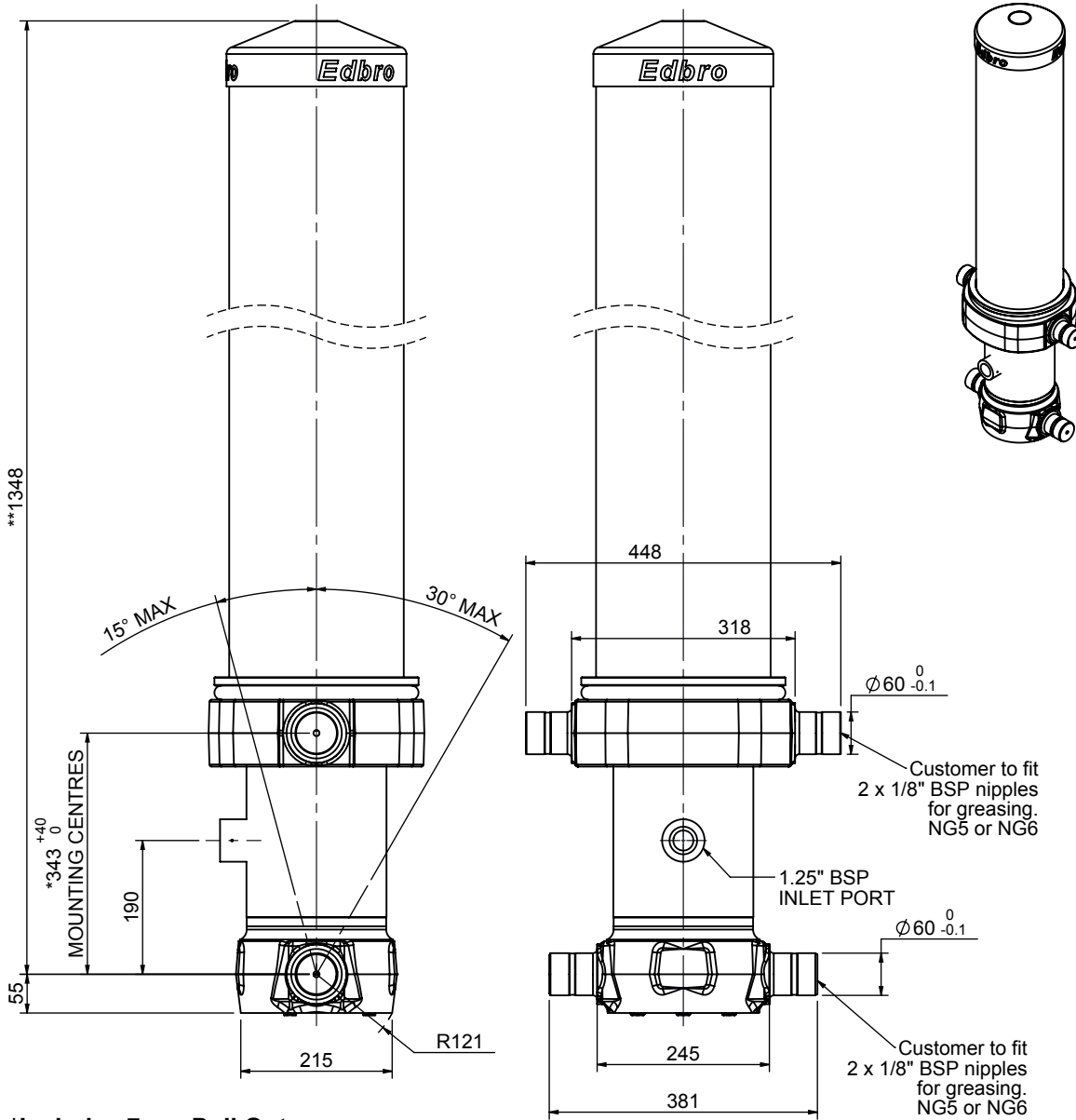


Cylinder 5 stage front end with outer cover

**ALLOW 50mm TO REMOVE CAP FOR SERVICING



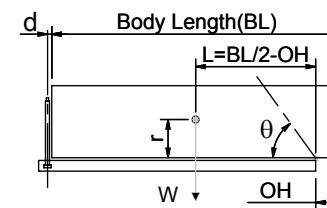
*Includes 7mm Pull Out.

CS17L055233B19A11

SPECIFICATION TIPPING CAPACITY : 32-47 TONNES***

Stage	Diameter	Length	Stroke	Swept Volume
OUTER COVER	248	970	-	-
0	199	1275	-	-
1	176	1240	1020	25
2	155	1240	1037	20
3	136	1240	1047	15
4	117	1240	1062	11
5	98	1240	1067	8
Total (+5/-10)			5233	79
Final stroke reduced by	0	Priming Volume	16.3	
Cylinder Mass (Kg)	241	Total Volume (Litres)	95.3	
Maximum Pressure (Bar)	190	Max. first stage thrust	200 KN	

***TIPPING CAPACITY AT WORKING PRESSURE

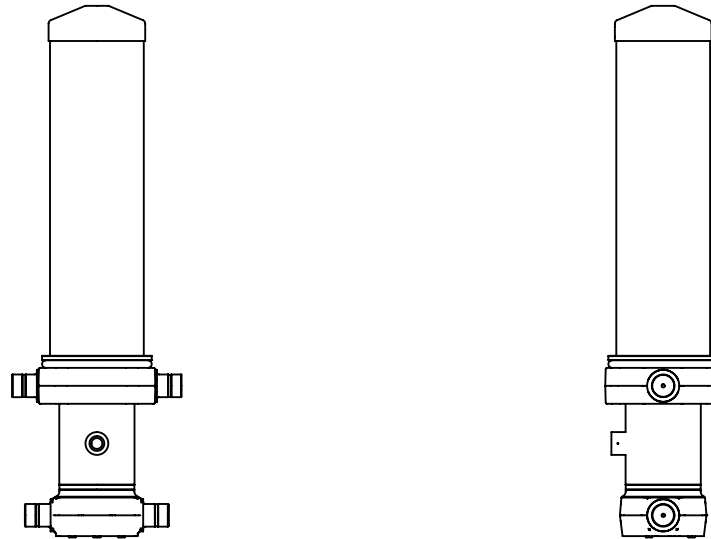


BODY LENGTH (BL)						OH
6500		7000		7500		
34	47°	32	44°			150
39	50°	35	46°	33	42°	450
47	52°	40	48°	36	44°	750

d = 229; r = 900; Working Pressure 135 bar
 Tipping angle (θ)
 Body + payload mass, W (tonne)
For guidance only;
 Higher working pressures and tipping capacities may be possible.
 To check your application email - applications@edbro.co.uk

NOTES

1. This cylinder is for lifting purposes only and side load conditions should be avoided
2. Cylinder is painted in primer paint to RAL5013
3. Refer to www.edbro.com for;-
 - Bracket details
 - Installation instructions that must be observed
 - Correct oil selection
 - An explanation of tipping capacity



CS17L055233B19A11