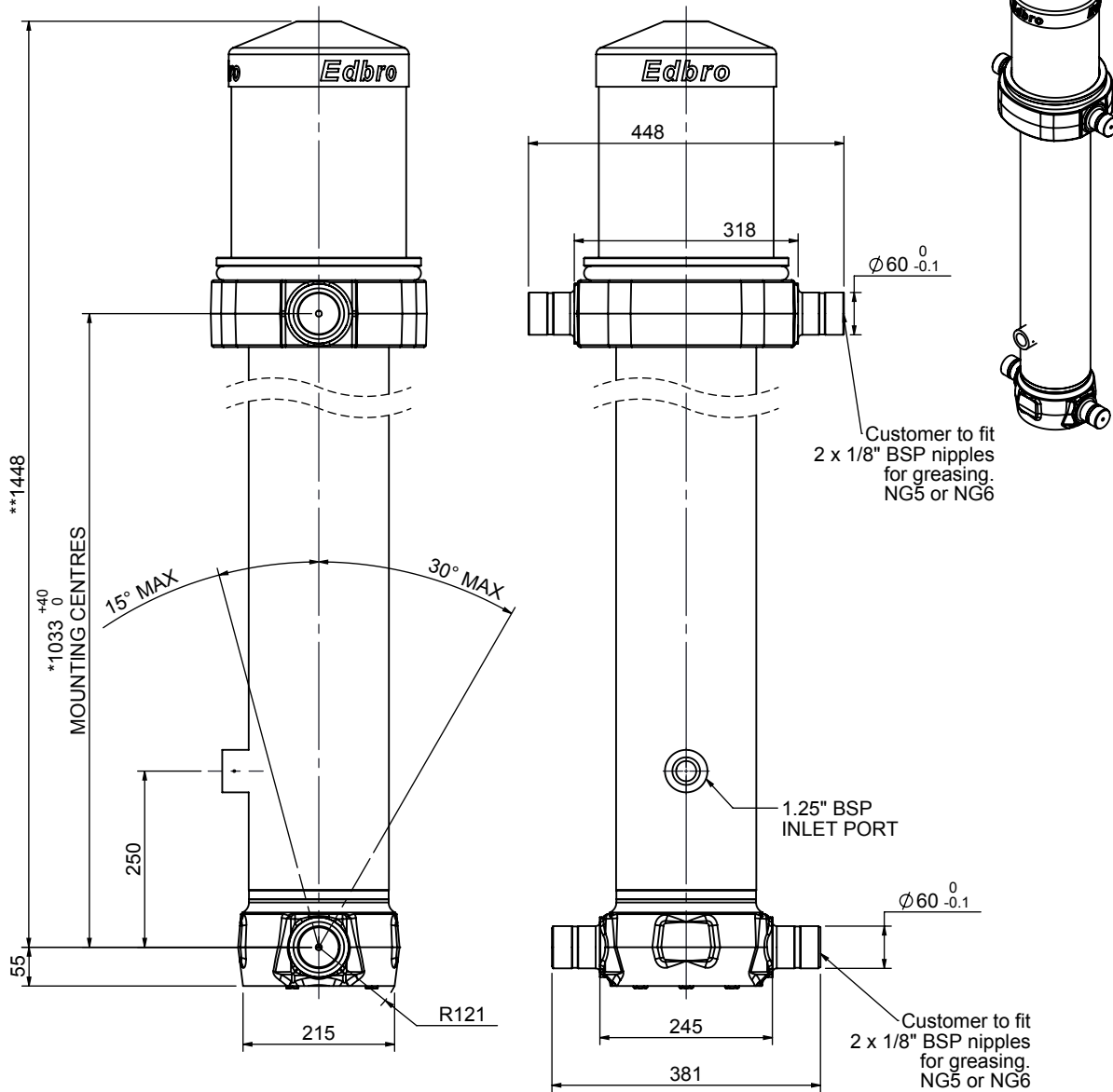


# Cylinder 5 stage front end with outer cover

\*\*ALLOW 50mm TO REMOVE CAP FOR SERVICING



\*Includes 7mm Pull Out.  
All Stages Chrome Plated

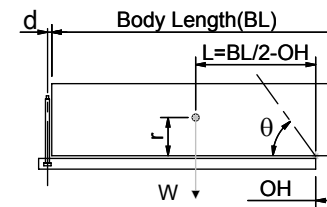
# CS17L055733B25A15C

## SPECIFICATION

TIPPING CAPACITY : 33-49 TONNES\*\*\*

Stage	Diameter	Length	Stroke	Swept Volume
OUTER COVER	248	380	-	-
0	199	1375	-	-
1	176	1340	1120	27
2	155	1340	1137	21
3	136	1340	1147	17
4	117	1340	1162	12
5	98	1340	1167	9
Total (+5/-10)			5733	86
Final stroke reduced by	0	Priming Volume	17.8	
Cylinder Mass (Kg)	240	Total Volume (Litres)	103.8	
Maximum Pressure (Bar)	190	Max. first stage thrust	200 KN	

## \*\*\*TIPPING CAPACITY AT WORKING PRESSURE



BODY LENGTH (BL)						OH
7000		7500		8000		
37	48°	35	45°	33	42°	150
42	51°	38	47°	36	44°	450
49	53°	43	49°	39	46°	750

d = 229; r = 900; Working Pressure 150 bar

Tipping angle ( $\theta$ )

Body + payload mass, W (tonne)

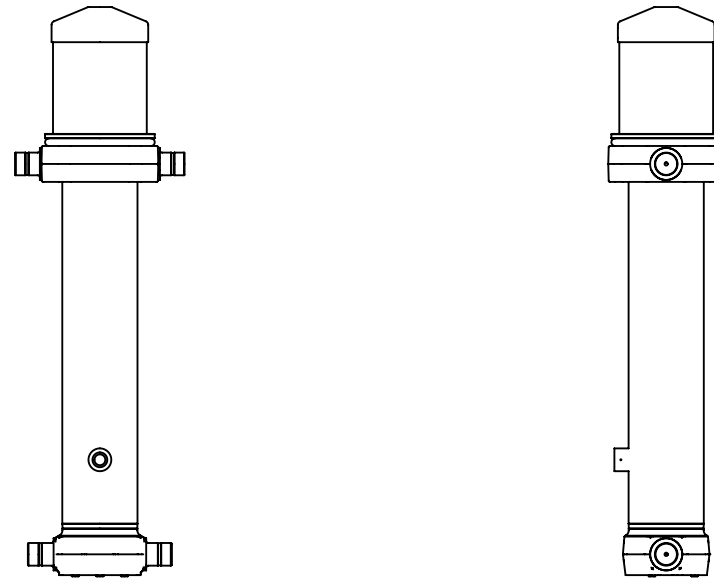
### For guidance only;

Higher working pressures and tipping capacities may be possible.

To check your application email - [applications@edbro.co.uk](mailto:applications@edbro.co.uk)

## NOTES

1. This cylinder is for lifting purposes only and side load conditions should be avoided
2. Cylinder is painted in primer paint to RAL5013
3. Refer to [www.edbro.com](http://www.edbro.com) for:-
  - Bracket details
  - Installation instructions that must be observed
  - Correct oil selection
  - An explanation of tipping capacity



CS17L055733B25A15C