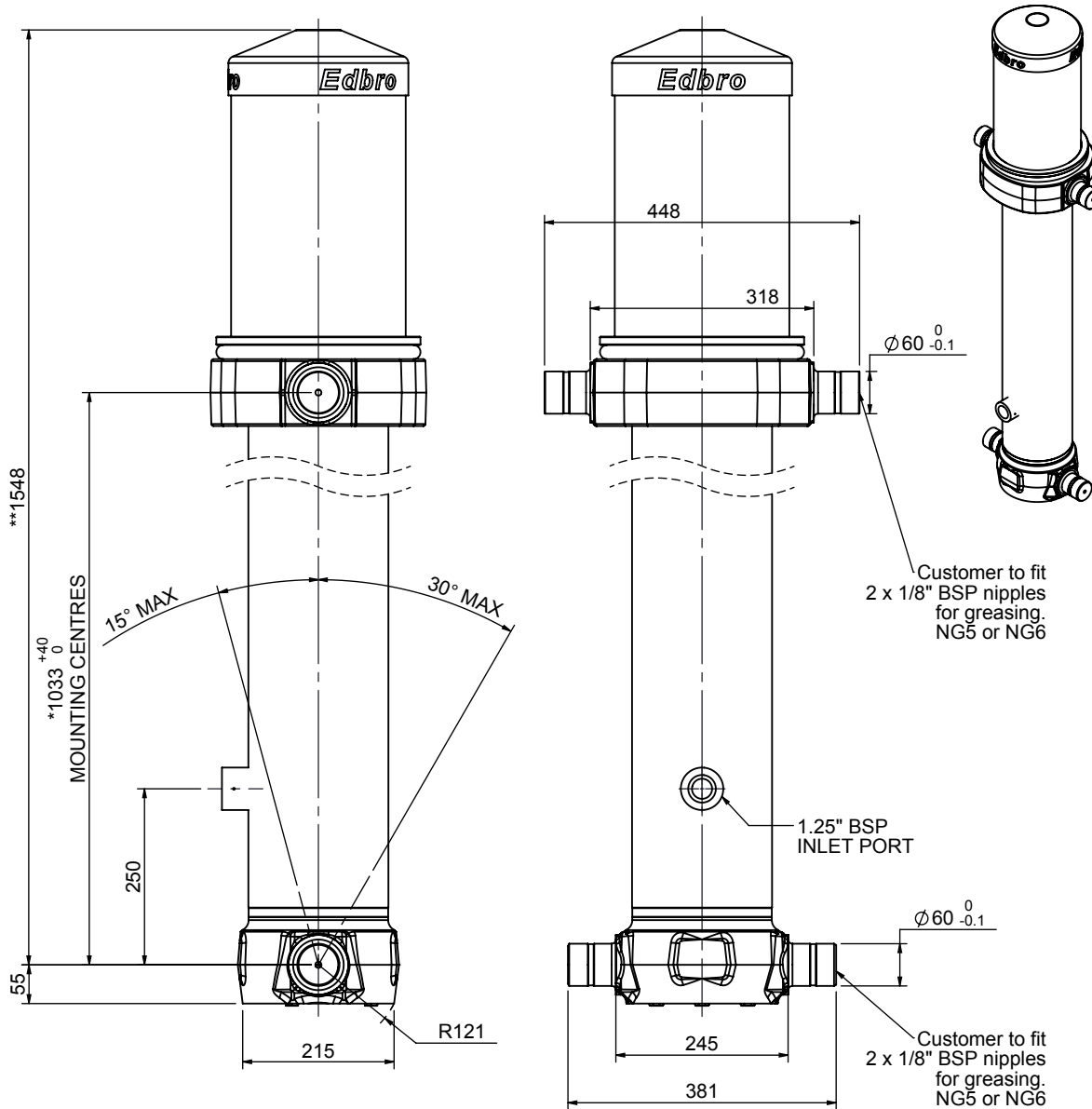


Cylinder 5 stage front end with outer cover

**ALLOW 50mm TO REMOVE CAP FOR SERVICING



*Includes 7mm Pull Out.
All Stages Chrome Plated

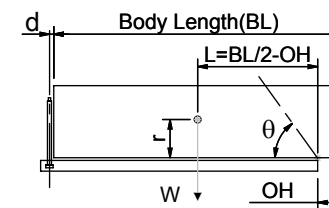
CS17L056233B25A15C

SPECIFICATION

TIPPING CAPACITY : 33-47 TONNES***

| Stage | Diameter | Length | Stroke | Swept Volume |
|-------------------------|----------|-------------------------|--------|--------------|
| OUTER COVER | 248 | 480 | - | - |
| 0 | 199 | 1475 | - | - |
| 1 | 176 | 1440 | 1220 | 30 |
| 2 | 155 | 1440 | 1237 | 23 |
| 3 | 136 | 1440 | 1247 | 18 |
| 4 | 117 | 1440 | 1262 | 14 |
| 5 | 98 | 1440 | 1267 | 10 |
| Total (+5/-10) | | | 6233 | 95 |
| Final stroke reduced by | 0 | Priming Volume | 19.3 | |
| Cylinder Mass (Kg) | 254 | Total Volume (Litres) | 114.3 | |
| Maximum Pressure (Bar) | 190 | Max. first stage thrust | 200 KN | |

***TIPPING CAPACITY AT WORKING PRESSURE



| BODY LENGTH (BL) | | | | | | OH |
|------------------|-----|------|-----|------|-----|-----|
| 7500 | | 8000 | | 8500 | | |
| 37 | 49° | 34 | 46° | 33 | 43° | 150 |
| 41 | 51° | 38 | 48° | 35 | 45° | 450 |
| 47 | 54° | 42 | 50° | 39 | 47° | 750 |

d = 229; r = 900; Working Pressure 150 bar

Tipping angle (θ)

Body + payload mass, W (tonne)

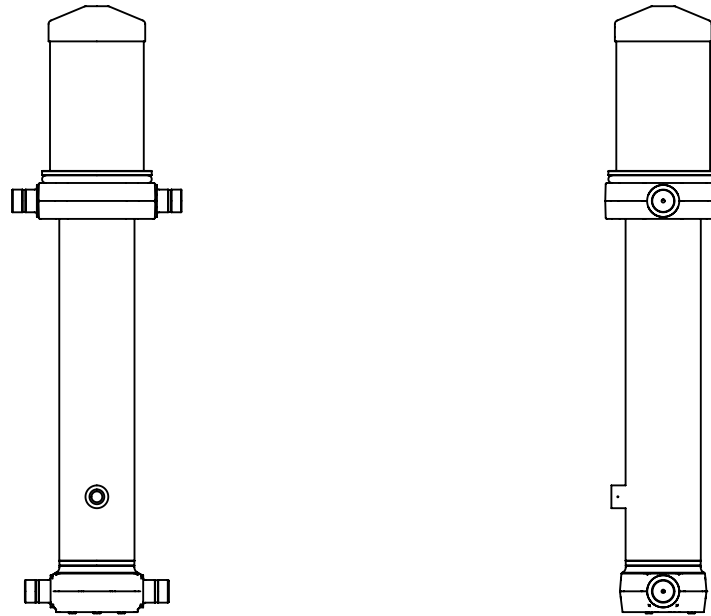
For guidance only;

Higher working pressures and tipping capacities may be possible.

To check your application email - applications@edbro.co.uk

NOTES

1. This cylinder is for lifting purposes only and side load conditions should be avoided
2. Cylinder is painted in primer paint to RAL5013
3. Refer to www.edbro.com for;-
 - Bracket details
 - Installation instructions that must be observed
 - Correct oil selection
 - An explanation of tipping capacity



CS17L056233B25A15C