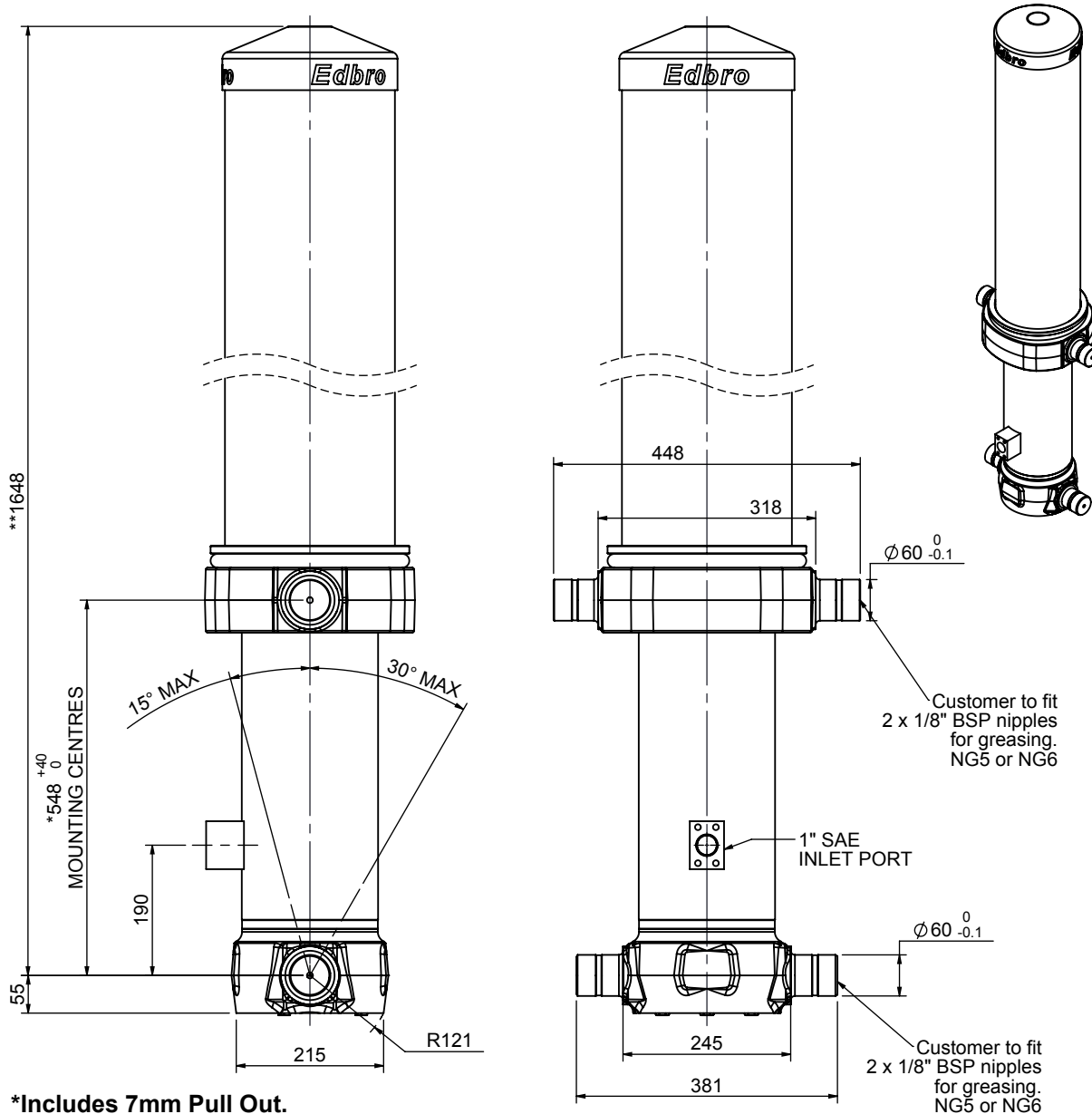


Cylinder 5 stage front end with outer cover

**ALLOW 50mm TO REMOVE CAP FOR SERVICING



*Includes 7mm Pull Out.
All Stages Chrome Plated

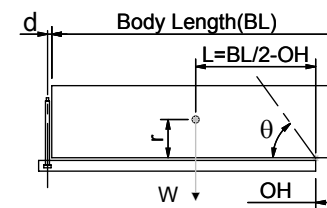
CS17L056733S19A12C

SPECIFICATION

TIPPING CAPACITY : 33-46 TONNES***

Stage	Diameter	Length	Stroke	Swept Volume
OUTER COVER	248	1065	-	-
0	199	1575	-	-
1	176	1540	1320	32
2	155	1540	1337	25
3	136	1540	1347	20
4	117	1540	1362	15
5	98	1540	1367	10
Total (+5/-10)			6733	102
Final stroke reduced by	0	Priming Volume	20.8	
Cylinder Mass (Kg)	281	Total Volume (Litres)	122.8	
Maximum Pressure (Bar)	190	Max. first stage thrust	200 KN	

***TIPPING CAPACITY AT WORKING PRESSURE



BODY LENGTH (BL)						OH
8000		8500		9000		
37	50°	35	47°	33	44°	150
41	52°	38	48°	35	45°	450
46	54°	41	51°	38	47°	750

d = 229; r = 900; Working Pressure 150 bar

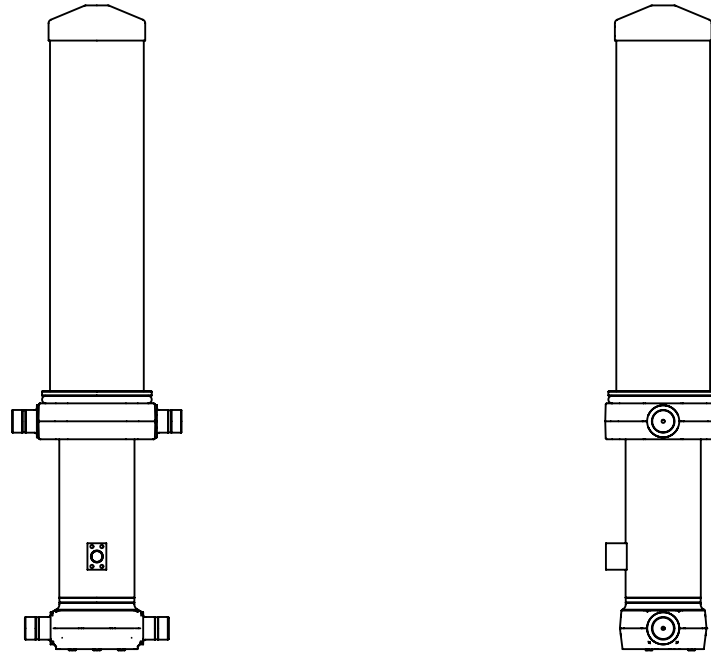
Tipping angle (θ)
Body + payload mass, W (tonne)

For guidance only;

Higher working pressures and tipping capacities may be possible.
To check your application email - applications@edbro.co.uk

NOTES

1. This cylinder is for lifting purposes only and side load conditions should be avoided
2. Cylinder is painted in primer paint to RAL5013
3. Refer to www.edbro.com for:-
 - Bracket details
 - Installation instructions that must be observed
 - Correct oil selection
 - An explanation of tipping capacity



CS17L056733S19A12C