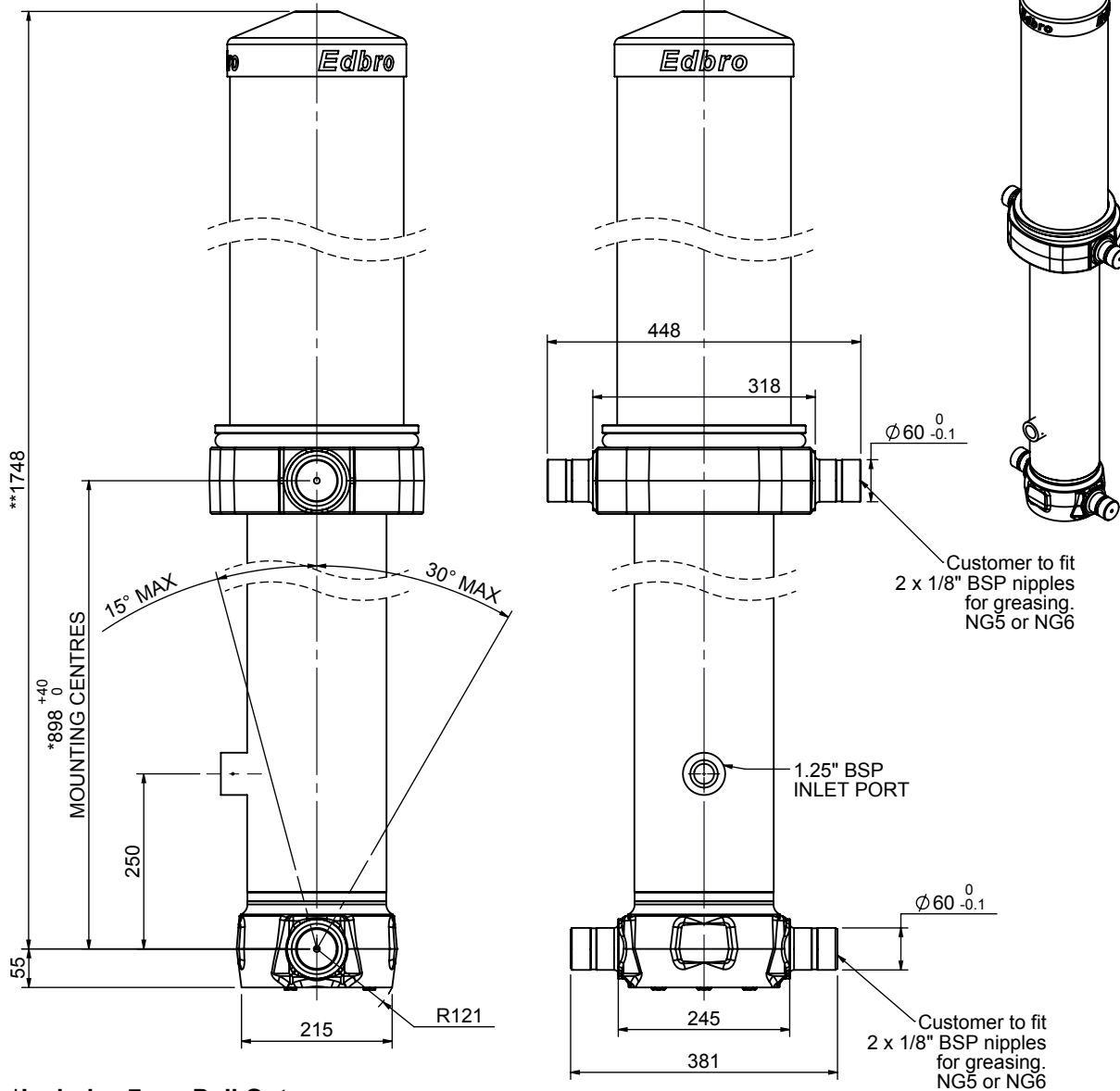


# Cylinder 5 stage front end with outer cover

\*\*ALLOW 50mm TO REMOVE CAP FOR SERVICING



\*Includes 7mm Pull Out.

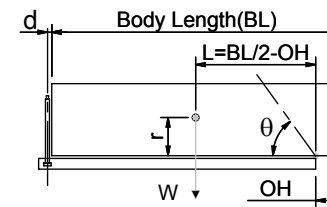
# CS17L057233B25A14

## SPECIFICATION

TIPPING CAPACITY : 31-41 TONNES\*\*\*

Stage	Diameter	Length	Stroke	Swept Volume
OUTER COVER	248	815	-	-
0	199	1675	-	-
1	176	1640	1420	35
2	155	1640	1437	27
3	136	1640	1447	21
4	117	1640	1462	16
5	98	1640	1467	11
Total (+5/-10)			7233	110
Final stroke reduced by	0	Priming Volume		22.3
Cylinder Mass (Kg)	287	Total Volume (Litres)		132.3
Maximum Pressure (Bar)	190	Max. first stage thrust		200 KN

## \*\*\*TIPPING CAPACITY AT WORKING PRESSURE



BODY LENGTH (BL)						OH
9000		9500		10000		
34	47°	33	45°	31	42°	150
37	49°	35	46°	33	44°	450
41	51°	38	48°	36	45°	750

d = 229; r = 900; Working Pressure 150 bar

Tipping angle ( $\theta$ )

Body + payload mass, W (tonne)

## For guidance only;

Higher working pressures and tipping capacities may be possible.

To check your application email - [applications@edbro.co.uk](mailto:applications@edbro.co.uk)

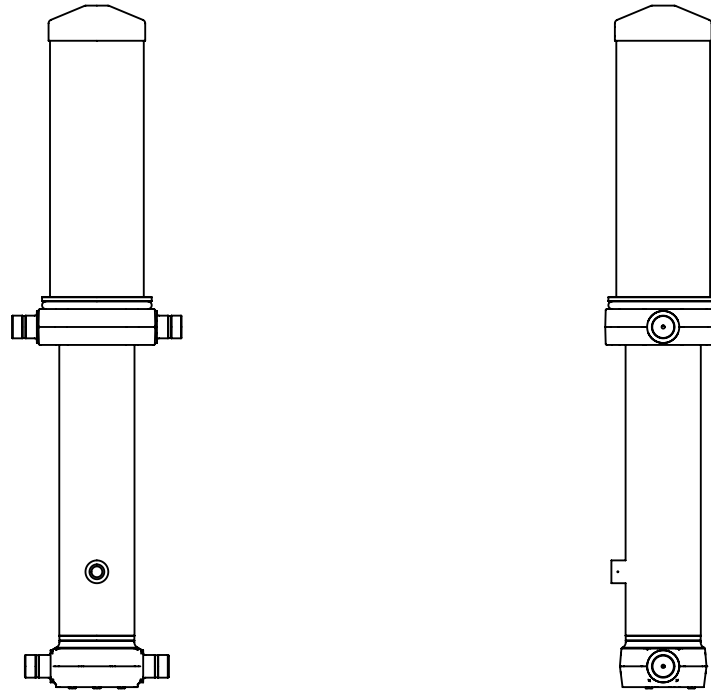
## NOTES

1. This cylinder is for lifting purposes only and side load conditions should be avoided
2. Cylinder is painted in primer paint to RAL5013
3. Refer to [www.edbro.com](http://www.edbro.com) for:-
  - Bracket details
  - Installation instructions that must be observed
  - Correct oil selection
  - An explanation of tipping capacity

**Edbro**  
SETTING THE INDUSTRY STANDARD

**Edbro plc**  
Nelson Street, Bolton, England, BL3 2JJ  
Tel +44 (0) 1204 528888 Fax +44 (0) 1204 531957  
Email: [postmaster@edbro.com](mailto:postmaster@edbro.com) Web: [www.edbro.com](http://www.edbro.com)

Technical Specifications are subject to change without notice  
Date Created/Updated: 06 November 2014  
Refer [www.edbro.com](http://www.edbro.com) to confirm latest specification  
All dimensions are in 'mm', unless otherwise stated



CS17L057233B25A14