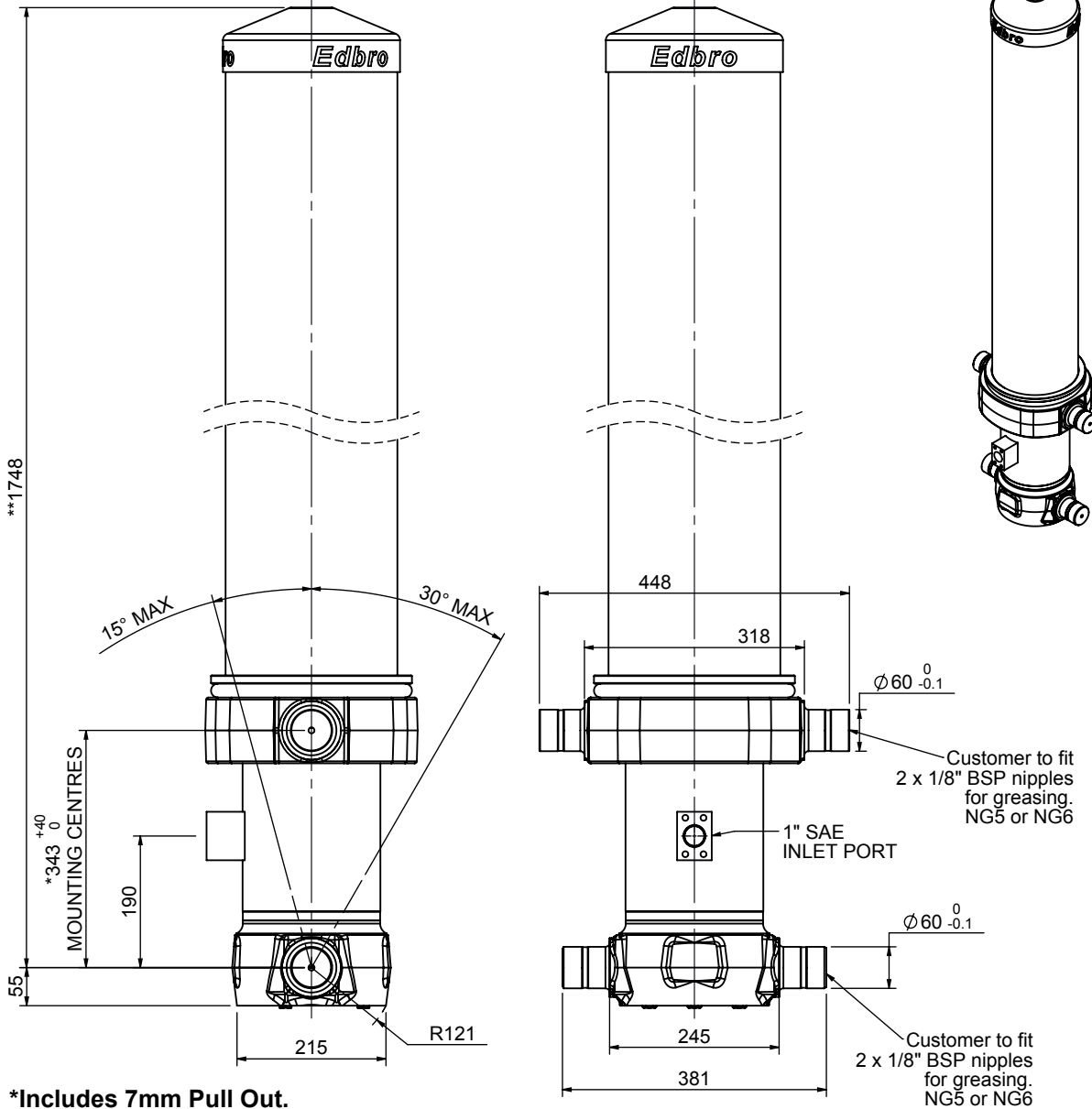


# Cylinder 5 stage front end with outer cover

\*\*ALLOW 50mm TO REMOVE CAP FOR SERVICING



\*Includes 7mm Pull Out.

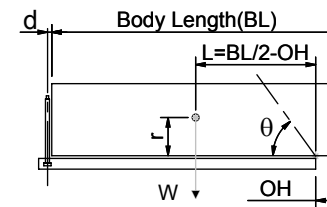
# CS17L057233S19A11

## SPECIFICATION

TIPPING CAPACITY : 33-45 TONNES\*\*\*

Stage	Diameter	Length	Stroke	Swept Volume
OUTER COVER	248	1370	-	-
0	199	1675	-	-
1	176	1640	1420	35
2	155	1640	1437	27
3	136	1640	1447	21
4	117	1640	1462	16
5	98	1640	1467	11
Total (+5/-10)			7233	110
Final stroke reduced by	0	Priming Volume	22.3	
Cylinder Mass (Kg)	301	Total Volume (Litres)	132.3	
Maximum Pressure (Bar)	190	Max. first stage thrust	200 KN	

## \*\*\*TIPPING CAPACITY AT WORKING PRESSURE



BODY LENGTH (BL)						OH
8500		9000		9500		
37	50°	34	47°	33	45°	150
40	52°	37	49°	35	46°	450
45	54°	41	51°	38	48°	750

d = 229; r = 900; Working Pressure 150 bar

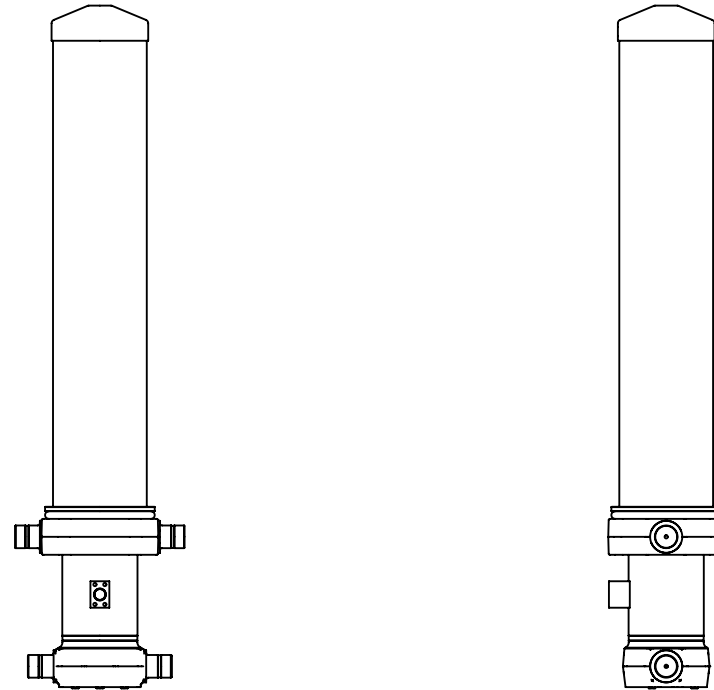
Tipping angle (θ)  
Body + payload mass, W (tonne)

## For guidance only;

Higher working pressures and tipping capacities may be possible.  
To check your application email - [applications@edbro.co.uk](mailto:applications@edbro.co.uk)

## NOTES

1. This cylinder is for lifting purposes only and side load conditions should be avoided
2. Cylinder is painted in primer paint to RAL5013
3. Refer to [www.edbro.com](http://www.edbro.com) for;-
  - Bracket details
  - Installation instructions that must be observed
  - Correct oil selection
  - An explanation of tipping capacity



CS17L057233S19A11