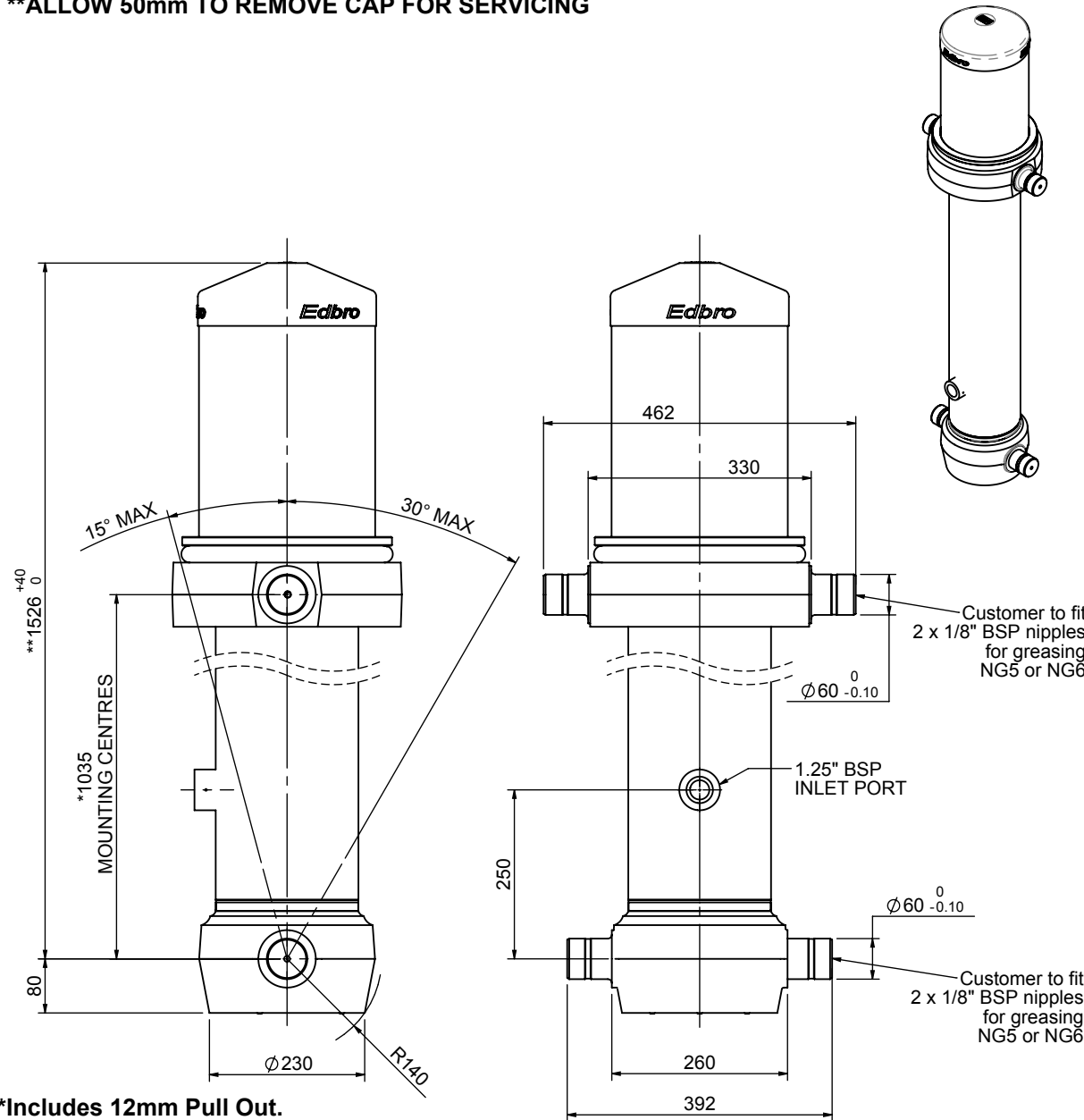


Cylinder 5 stage front end with outer cover

****ALLOW 50mm TO REMOVE CAP FOR SERVICING**

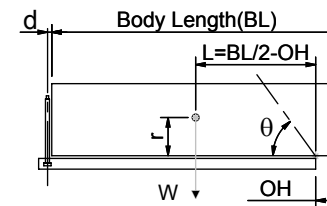


***Includes 12mm Pull Out.**

CS180056233B25A15

SPECIFICATION		TIPPING CAPACITY : 41-60 TONNES***		
Stage	Diameter	Length	Stroke	Swept Volume
OUTER COVER	261	455	-	-
0	211	1475	-	-
1	188	1440	1215	34
2	167	1440	1237	27
3	147	1440	1247	21
4	127	1440	1262	16
5	105	1440	1267	11
Total (+5/-10)			6228	109
Final stroke reduced by	0	Priming Volume		20
Cylinder Mass (Kg)	314	Total Volume (Litres)		129
Maximum Pressure (Bar)	190	Max. first stage thrust		265 KN

***TIPPING CAPACITY AT WORKING PRESSURE



BODY LENGTH (BL)						OH
7500		8000		8500		
47	49°	44	46°	41	43°	150
52	51°	48	48°	45	45°	450
60	54°	53	50°	49	47°	750

$d = 229$; $r = 900$; Working Pressure 165 bar

Tipping angle (θ)

Body + payload mass, W (tonne)

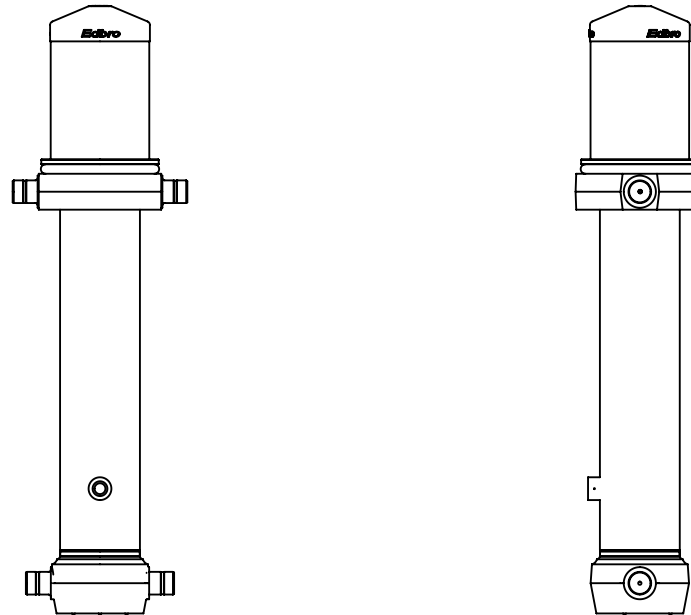
For guidance only;

Higher working pressures and tipping capacities may be possible.

To check your application email - applications@edbro.co.uk

NOTES

1. This cylinder is for lifting purposes only and side load conditions should be avoided
2. Cylinder is painted in primer paint to RAL5013
3. Refer to www.edbro.com for:-
 - Bracket details
 - Installation instructions that must be observed
 - Correct oil selection
 - An explanation of tipping capacity



CS180056233B25A15