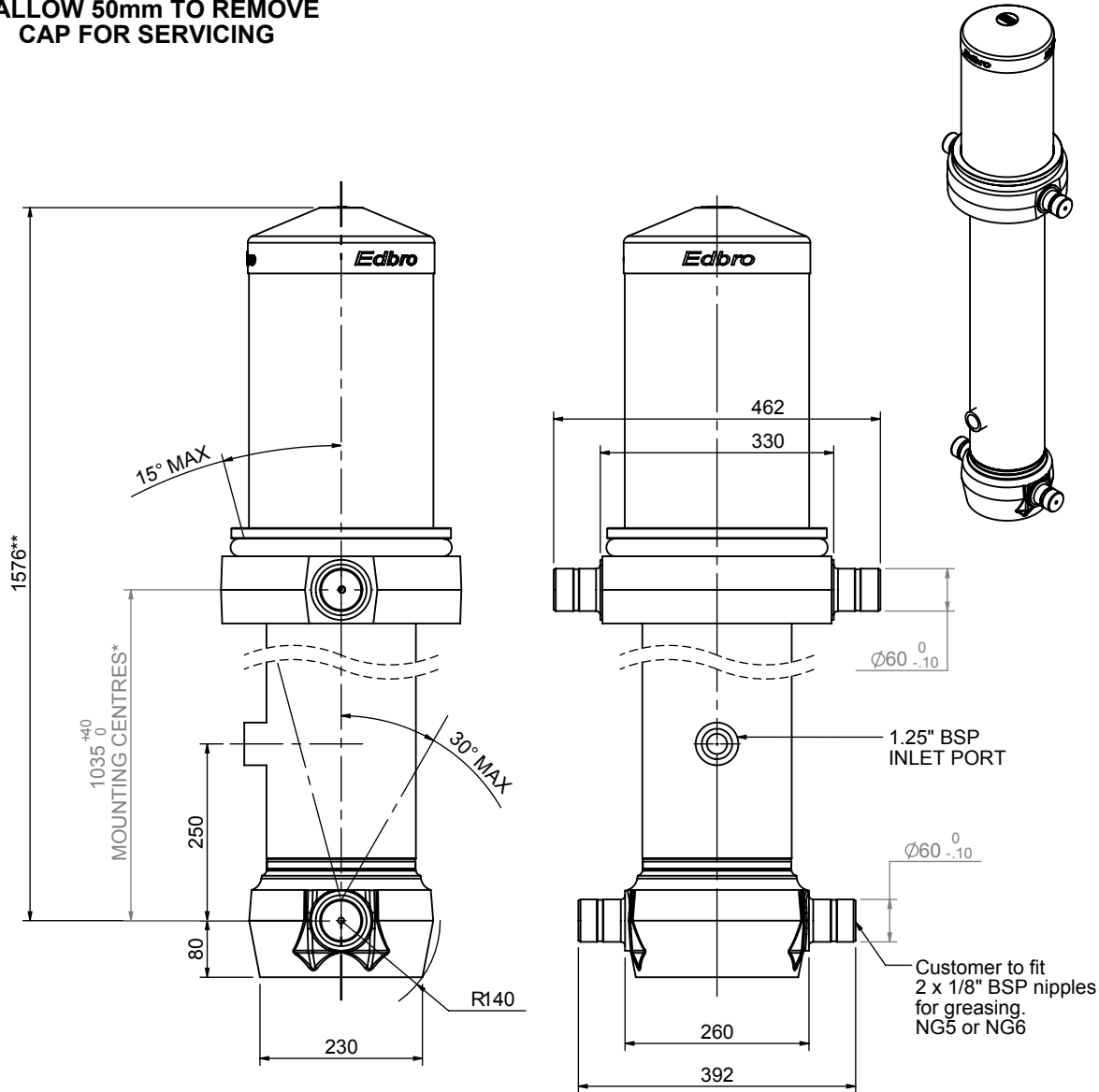


Cylinder 5 stage front end with Outer Cover

****ALLOW 50mm TO REMOVE CAP FOR SERVICING**

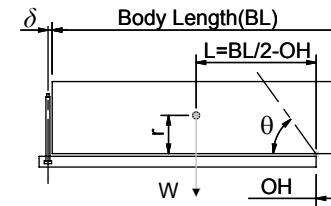


CS180056483B25A15

| SPECIFICATION | | RATED CAPACITY : 43-59 TONNES*** | | |
|-------------------------|----------|----------------------------------|--------|--------------|
| Stage | Diameter | Length | Stroke | Swept Volume |
| OUTER COVER | 261 | 505 | - | - |
| 0 | 211 | 1525 | - | - |
| 1 | 188 | 1490 | 1264 | 35 |
| 2 | 167 | 1490 | 1287 | 28 |
| 3 | 147 | 1490 | 1297 | 22 |
| 4 | 127 | 1490 | 1312 | 17 |
| 5 | 105 | 1490 | 1317 | 11 |
| Final stroke reduced by | 0 | Total (+5/-10) | 6477 | 113 |
| Cylinder Mass (Kg) | 323.38 | Priming Volume | 21 | |
| Rated Pressure (Bar) | 175 | Total Volume (Litres) | 134 | |
| Maximum Pressure (Bar) | 175 | Max. first stage thrust | 260 KN | |

***TIPPING CAPACITY AT RATED PRESSURE

d = 229 ; r = 900



| BODY LENGTH (BL) | | | | | | OH |
|------------------|-----|------|-----|------|-----|-----|
| 8000 | | 8500 | | 9000 | | |
| 47 | 48° | 45 | 45° | 43 | 42° | 150 |
| 52 | 50° | 49 | 47° | 46 | 44° | 450 |
| 59 | 52° | 53 | 49° | 50 | 45° | 750 |

— Tipping angle (θ)
 — Body + payload mass, W (tonne)

For guidance only;

Higher Rated Pressures may be possible. To check your application, email Edbro plc at <applications@edbro.co.uk>

NOTES

- If hydraulic pressure is used to limit overloading, the system relief valve must be set to the Rated Pressure unless agreed otherwise by Edbro
- The system relief valve can be set to Maximum Pressure if the load is limited by other means. See RATINGS page for advice
- This cylinder is for lifting purposes only and sload conditions must be avoided
- Cylinder is painted in primer paint to RAL5013
- See bracket options page BRKT01, BRKT02
- See installation instructions INSTALL01
- Use oil according to specification OIL01

*Includes 12mm Pull Out

Edbro
SETTING THE INDUSTRY STANDARD

Edbro plc
Nelson Street, Bolton, Lancashire BL3 2JJ UK
Tel +44 (0) 1204 528888 Fax +44 (0) 1204 531957
Email: postmaster@edbro.com Web: www.edbro.com

Technical Specifications are subject to change without notice
Date Created/Updated: 26 August 2009 13:28:00
Refer www.edbro.com to confirm latest specification
All dimensions are in 'mm', unless otherwise stated