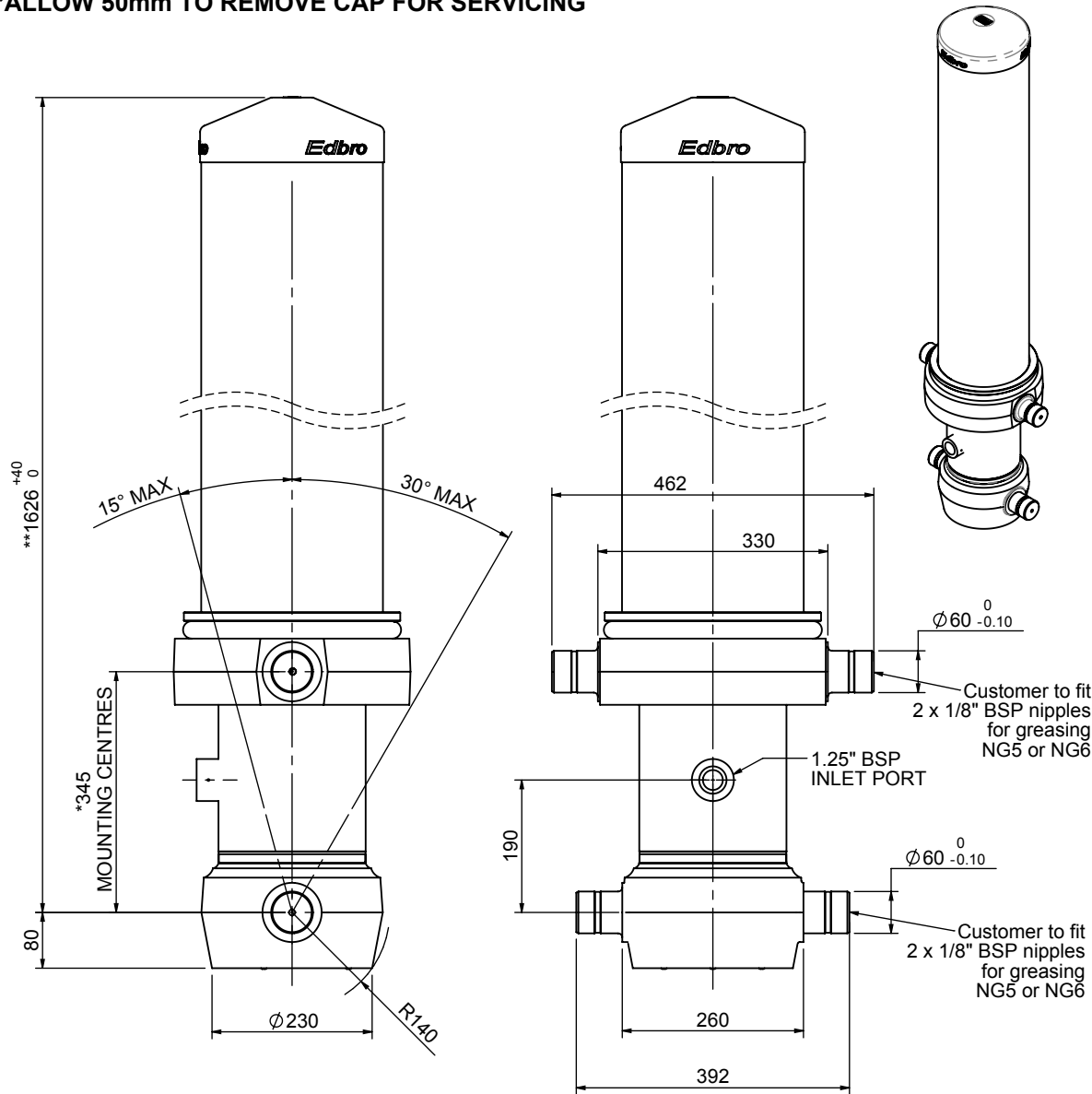


Cylinder 5 stage front end with outer cover

****ALLOW 50mm TO REMOVE CAP FOR SERVICING**

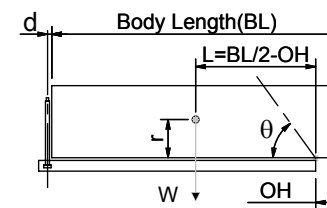


*Includes 12mm Pull Out.

CS180056733B19A11

SPECIFICATION		TIPPING CAPACITY : 44-62 TONNES***		
Stage	Diameter	Length	Stroke	Swept Volume
OUTER COVER	261	1245	-	-
0	211	1575	-	-
1	188	1540	1315	37
2	167	1540	1337	29
3	147	1540	1347	23
4	127	1540	1362	17
5	105	1540	1367	12
Total (+5/-10)			6728	118
Final stroke reduced by	0	Priming Volume		22
Cylinder Mass (Kg)	353	Total Volume (Litres)		140
Maximum Pressure (Bar)	190	Max. first stage thrust		265 KN

***TIPPING CAPACITY AT WORKING PRESSURE



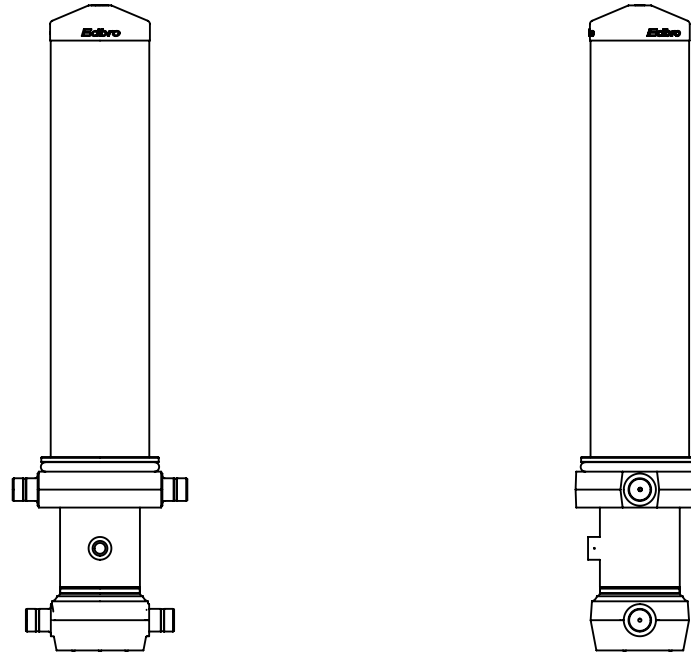
BODY LENGTH (BL)						OH
8000	8500	9000				
49	49°	46	46°	44	44°	150
55	52°	50	48°	47	45°	450
62	54°	56	50°	52	47°	750

$d = 229$; $r = 900$; Working Pressure 175 bar
 Tipping angle (θ)
 Body + payload mass, W (tonne)

For guidance only;
 Higher working pressures and tipping capacities may be possible.
 To check your application email - applications@edbro.co.uk

NOTES

1. This cylinder is for lifting purposes only and side load conditions should be avoided
2. Cylinder is painted in primer paint to RAL5013
3. Refer to www.edbro.com for:-
 - Bracket details
 - Installation instructions that must be observed
 - Correct oil selection
 - An explanation of tipping capacity



CS180056733B19A11