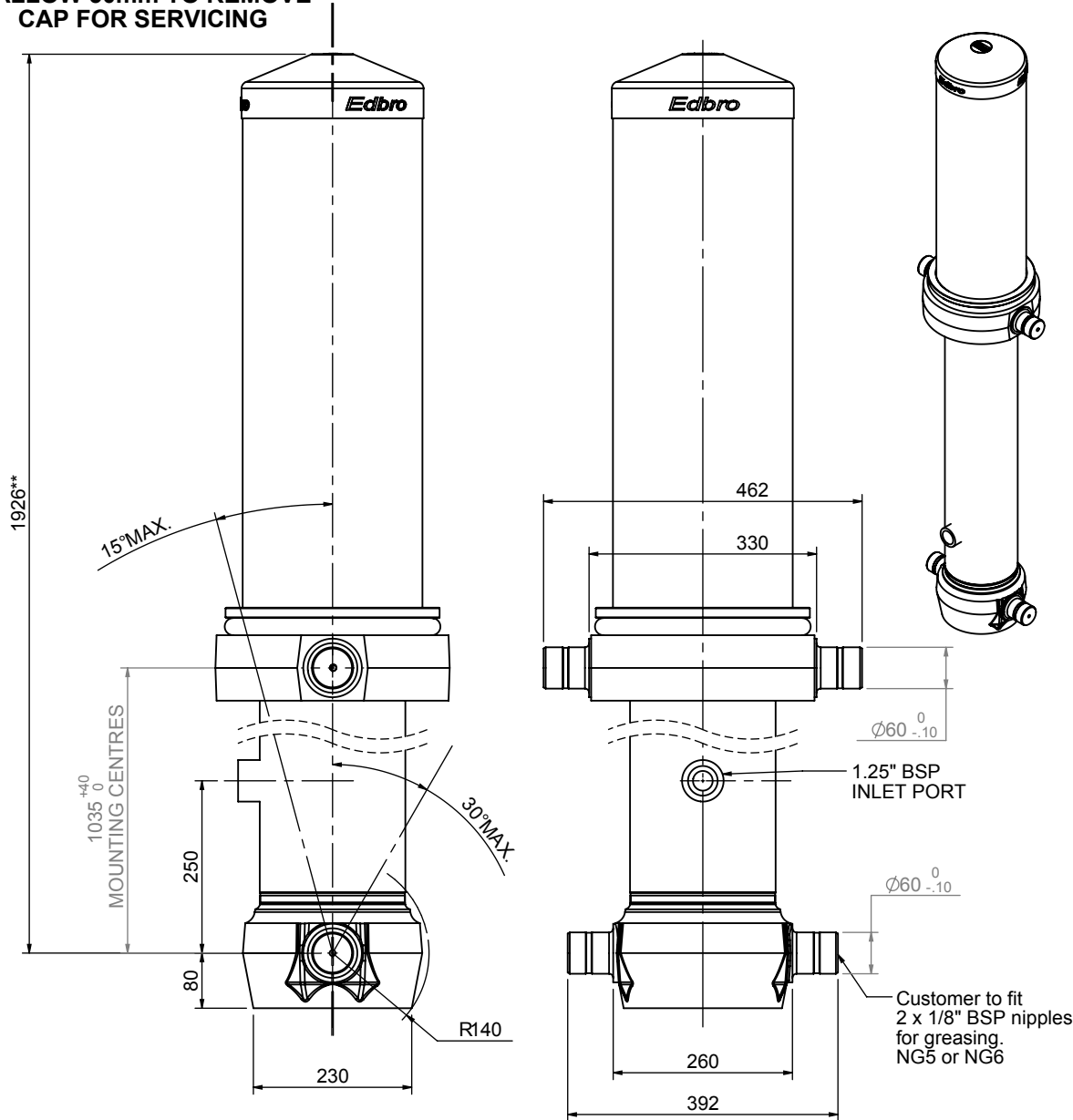


Cylinder 5 stage front end with Outer Cover

****ALLOW 50mm TO REMOVE CAP FOR SERVICING**



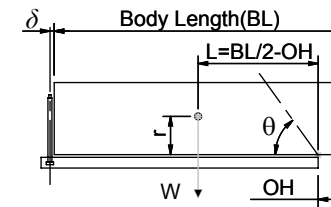
*Includes 12mm Pull Out

CS180058233B25A15

SPECIFICATION		RATED CAPACITY : 37-49 TONNES***		
Stage	Diameter	Length	Stroke	Swept Volume
OUTER COVER	261	855	-	-
0	211	1875	-	-
1	188	1840	1614	45
2	167	1840	1637	36
3	147	1840	1647	28
4	127	1840	1662	21
5	105	1840	1667	14
Final stroke reduced by	0	Total (+5/-10)	8227	144
Cylinder Mass (Kg)	387.39	Priming Volume	30	
Rated Pressure (Bar)	150	Total Volume (Litres)	174	
Maximum Pressure (Bar)	175	Max. first stage thrust	260 KN	

***TIPPING CAPACITY AT RATED PRESSURE

d = 229 ; r = 900



BODY LENGTH (BL)					OH	
9500	10000	10500				
41	51°	39	49°	37	46°	150
44	53°	42	50°	40	48°	450
49	55°	45	52°	42	49°	750

For guidance only;

Higher Rated Pressures may be possible. To check your application, email Edbro plc at <applications@edbro.co.uk>

NOTES

- If hydraulic pressure is used to limit overloading, the system relief valve must be set to the Rated Pressure unless agreed otherwise by Edbro
- The system relief valve can be set to Maximum Pressure if the load is limited by other means. See RATINGS page for advice
- This cylinder is for lifting purposes only and sload conditions must be avoided
- Cylinder is painted in primer paint to RAL5013
- See bracket options page BRKT01, BRKT02
- See installation instructions INSTALL01
- Use oil according to specification OIL01



Edbro plc
 Nelson Street, Bolton, Lancashire BL3 2JJ UK
 Tel +44 (0) 1204 528888 Fax +44 (0) 1204 531957
 Email: postmaster@edbro.com Web: www.edbro.com

Technical Specifications are subject to change without notice
 Date Created/Updated: 26 August 2009 14:07:47
 Refer www.edbro.com to confirm latest specification
 All dimensions are in 'mm', unless otherwise stated