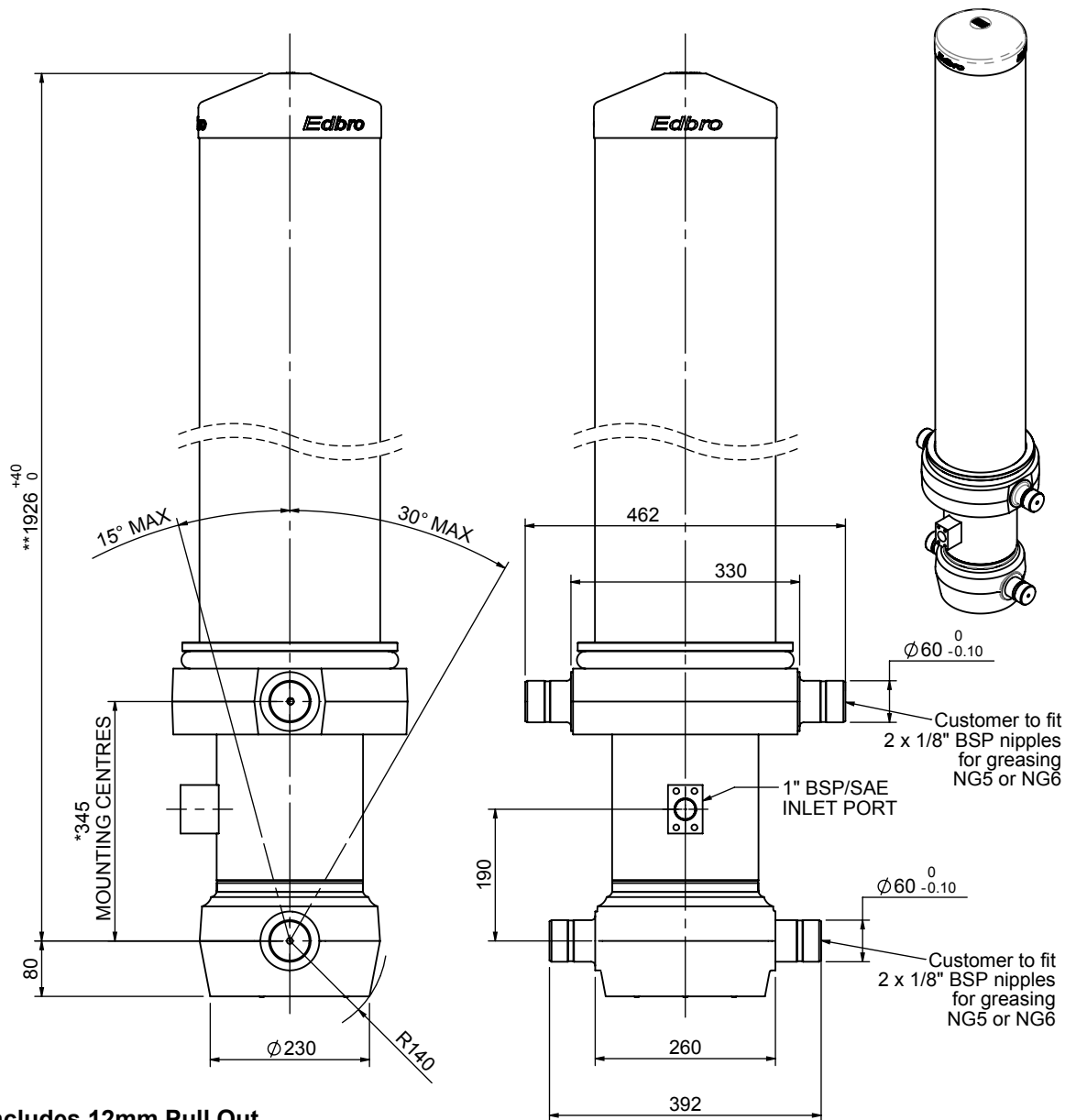


Cylinder 5 stage front end with outer cover

****ALLOW 50mm TO REMOVE CAP FOR SERVICING**

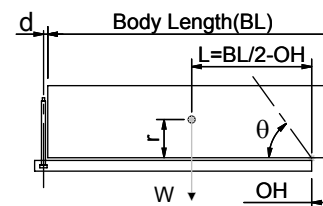


*Includes 12mm Pull Out.

CS180058233S19A11

SPECIFICATION		TIPPING CAPACITY : 44-57 TONNES***		
Stage	Diameter	Length	Stroke	Swept Volume
OUTER COVER	261	1545	-	-
0	211	1875	-	-
1	188	1840	1615	45
2	167	1840	1637	36
3	147	1840	1647	28
4	127	1840	1662	21
5	105	1840	1667	14
Total (+5/-10)			8228	144
Final stroke reduced by	0	Priming Volume		27
Cylinder Mass (Kg)	407	Total Volume (Litres)		171
Maximum Pressure (Bar)	190	Max. first stage thrust		265 KN

***TIPPING CAPACITY AT WORKING PRESSURE



BODY LENGTH (BL)						OH
9500		10000		10500		
48	51°	46	48°	44	46°	150
52	53°	49	50°	47	47°	450
57	55°	53	52°	50	49°	750

d = 229; r = 900; Working Pressure 175 bar

Tipping angle (θ)

Body + payload mass, W (tonne)

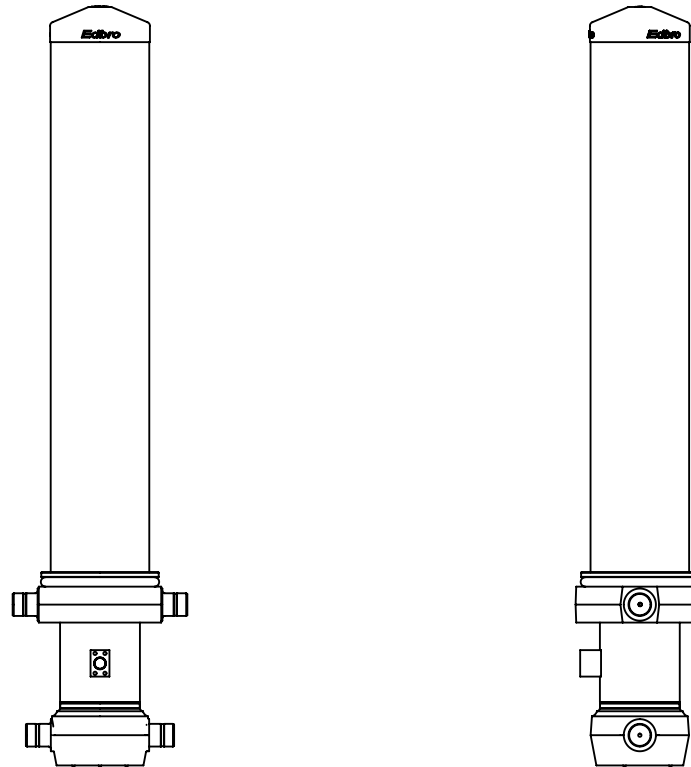
For guidance only;

Higher working pressures and tipping capacities may be possible.

To check your application email - applications@edbro.co.uk

NOTES

1. This cylinder is for lifting purposes only and side load conditions should be avoided
2. Cylinder is painted in primer paint to RAL5013
3. Refer to www.edbro.com for:-
 - Bracket details
 - Installation instructions that must be observed
 - Correct oil selection
 - An explanation of tipping capacity



CS180058233S19A11