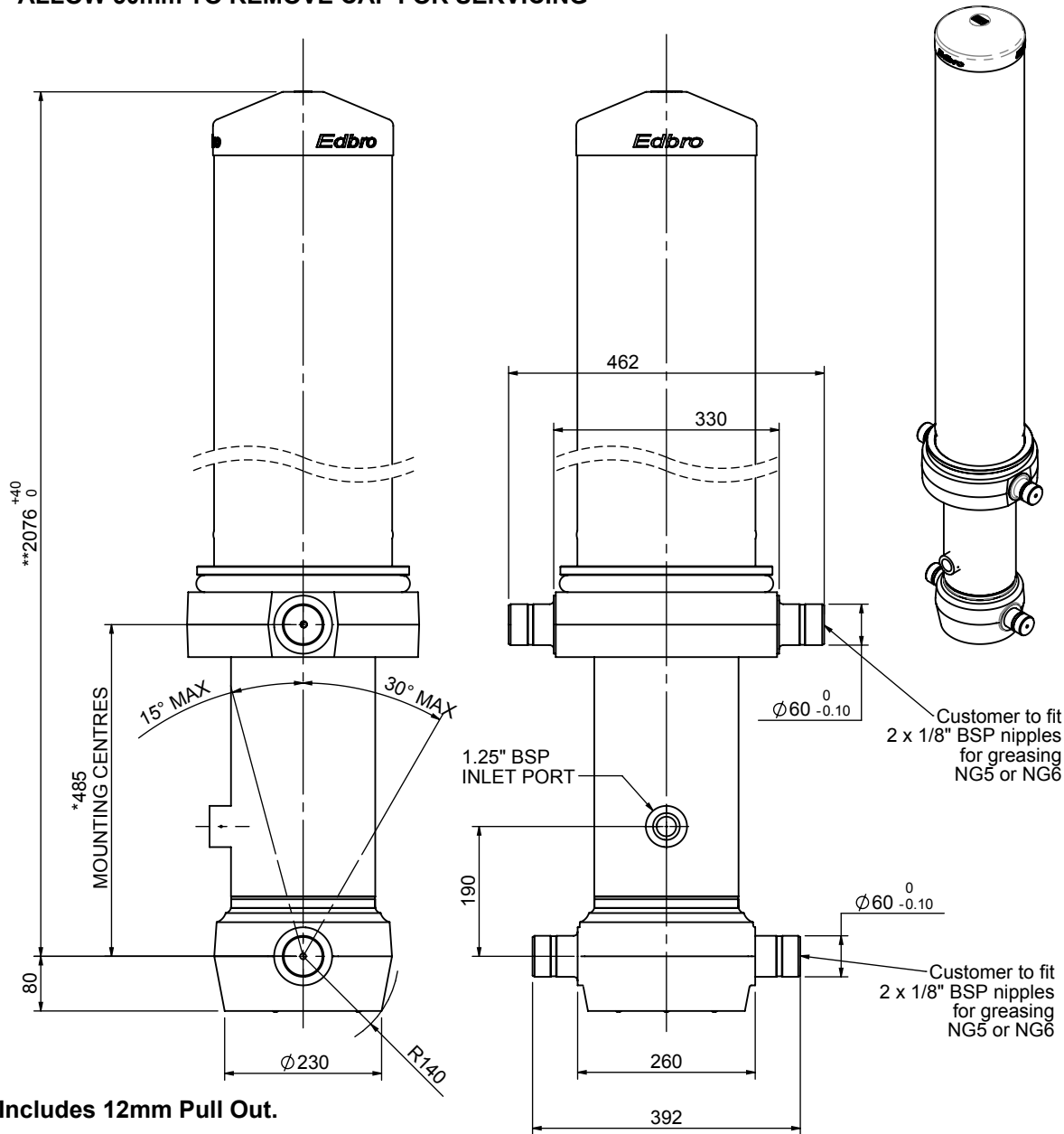


Cylinder 5 stage front end with outer cover

****ALLOW 50mm TO REMOVE CAP FOR SERVICING**

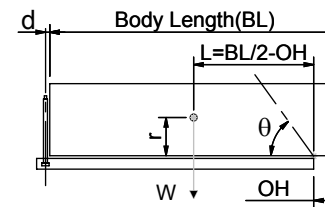


*Includes 12mm Pull Out.

CS180058983B19AAA

SPECIFICATION		TIPPING CAPACITY : 33-41 TONNES***		
Stage	Diameter	Length	Stroke	Swept Volume
OUTER COVER	261	1555	-	-
0	211	2025	-	-
1	188	1990	1765	49
2	167	1990	1787	39
3	147	1990	1797	31
4	127	1990	1812	23
5	105	1990	1817	16
Total (+5/-10)			8978	158
Final stroke reduced by	0	Priming Volume		29
Cylinder Mass (Kg)	430	Total Volume (Litres)		187
Maximum Pressure (Bar)	190	Max. first stage thrust		265 KN

***TIPPING CAPACITY AT WORKING PRESSURE



BODY LENGTH (BL)						OH
10500	11000	11500				
36	50°	34	48°	33	46°	150
38	52°	36	50°	35	47°	450
41	54°	39	51°	37	49°	750

d = 229; r = 900; Working Pressure 135 bar

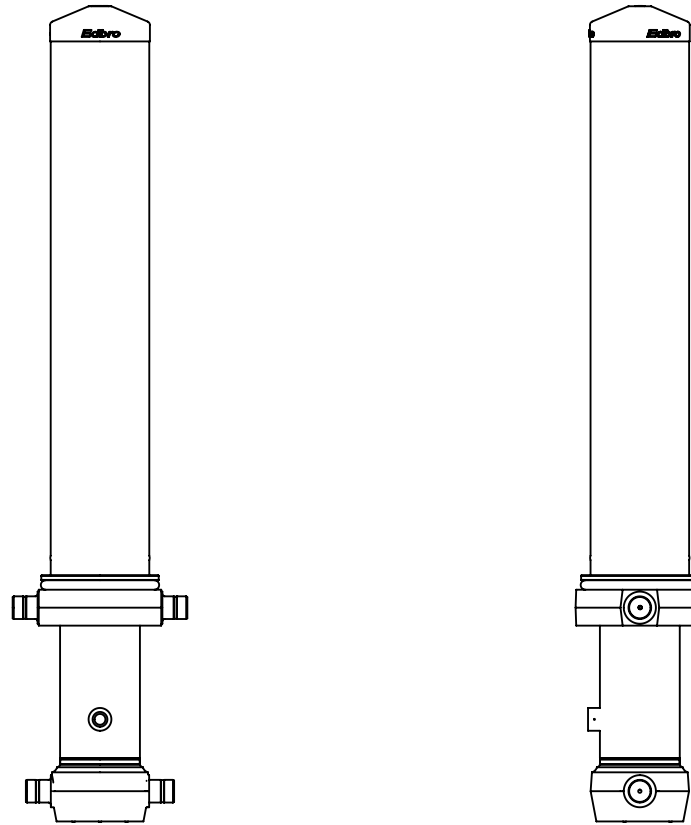
Tipping angle (θ)
Body + payload mass, W (tonne)

For guidance only;

Higher working pressures and tipping capacities may be possible.
To check your application email - applications@edbro.co.uk

NOTES

1. This cylinder is for lifting purposes only and side load conditions should be avoided
2. Cylinder is painted in primer paint to RAL5013
3. Refer to www.edbro.com for:-
 - Bracket details
 - Installation instructions that must be observed
 - Correct oil selection
 - An explanation of tipping capacity



CS180058983B19AAA