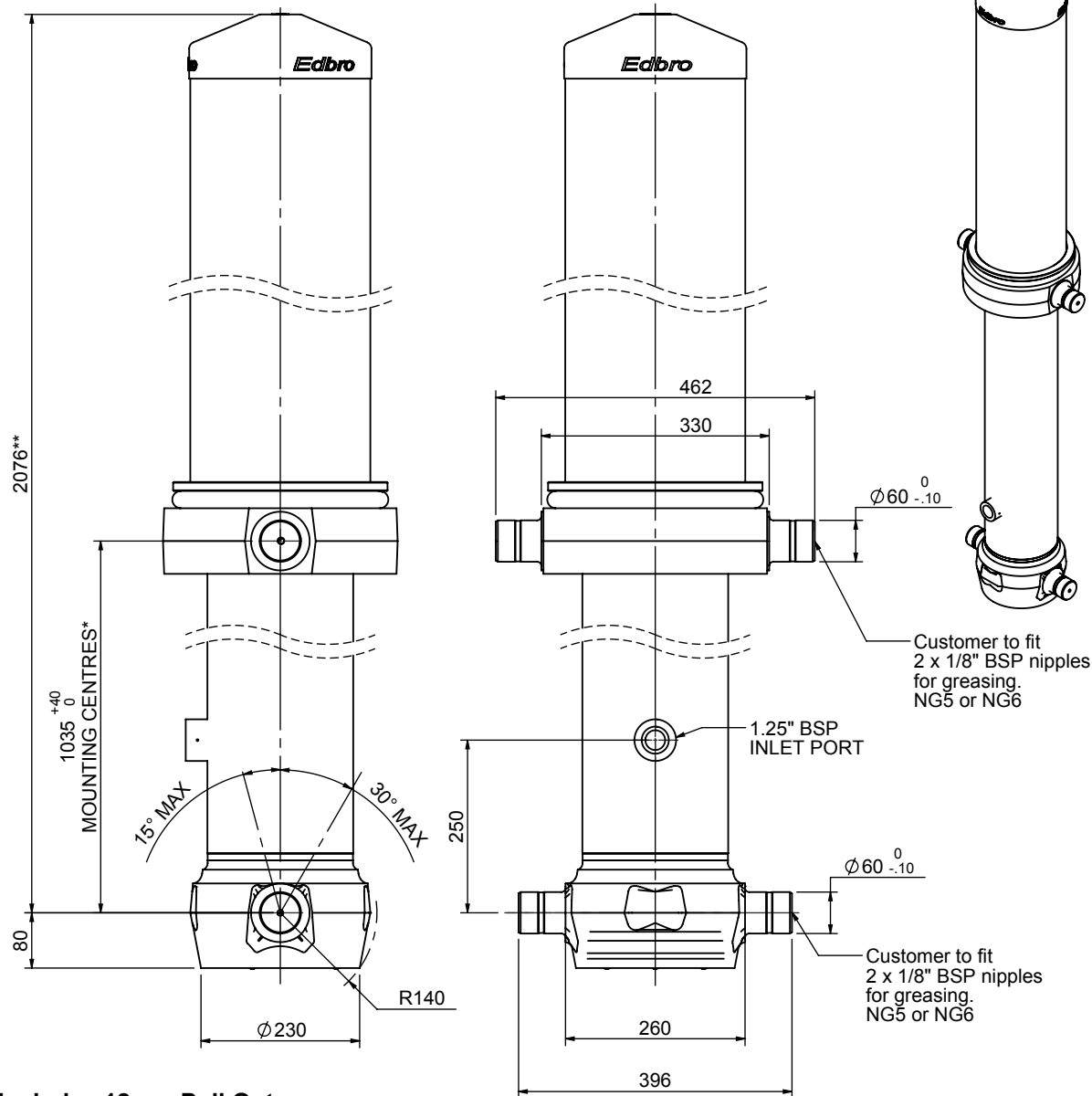


Cylinder 5 stage front end with outer cover

****ALLOW 50mm TO REMOVE CAP FOR SERVICING**

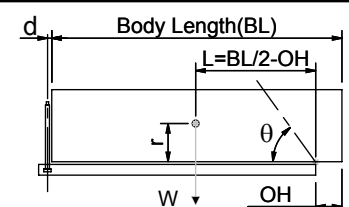


*Includes 12mm Pull Out.

CS180058983B25A15

SPECIFICATION		TIPPING CAPACITY : 27-34 TONNES***		
Stage	Diameter	Length	Stroke	Swept Volume
OUTER COVER	261	1005	-	-
0	211	2025	-	-
1	188	1990	1765	49
2	167	1990	1787	39
3	147	1990	1797	31
4	127	1990	1812	23
5	105	1990	1817	16
Total (+5/-10)			8978	158
Final stroke reduced by	0	Priming Volume	29	
Cylinder Mass (Kg)	409	Total Volume (Litres)	187	
Maximum Pressure (Bar)	190	Max. first stage thrust	265 KN	

***TIPPING CAPACITY AT WORKING PRESSURE



BODY LENGTH (BL)						OH
10500	11000	11500				
29	51°	28	48°	27	46°	150
31	52°	30	50°	28	47°	450
34	54°	32	51°	30	49°	750

$d = 229$; $r = 900$; Working Pressure 110 bar
 Tipping angle (θ)
 Body + payload mass, W (tonne)
For guidance only;
 Higher working pressures and tipping capacities may be possible.
 To check your application email - applications@edbro.co.uk

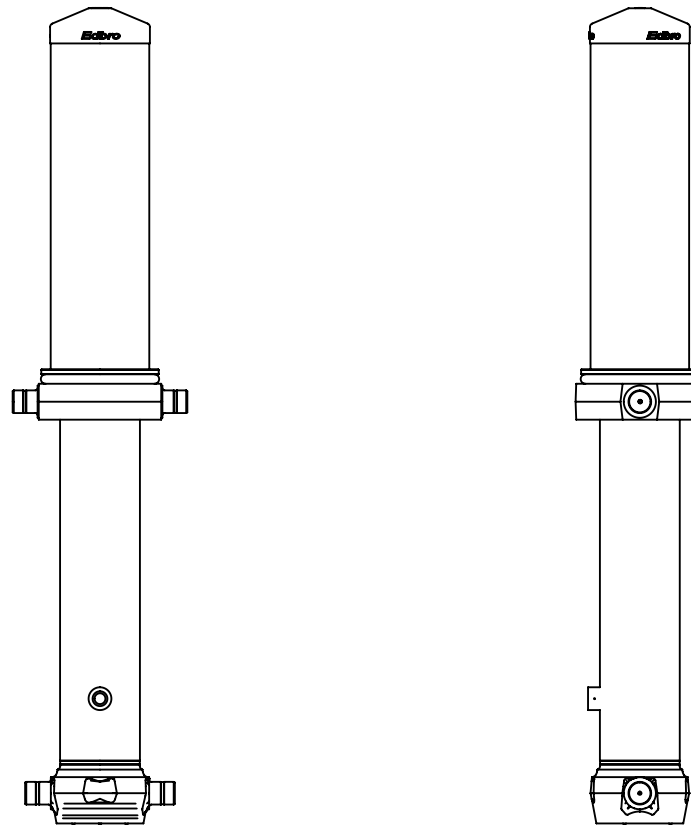
NOTES

1. This cylinder is for lifting purposes only and side load conditions should be avoided
2. Cylinder is painted in primer paint to RAL5013
3. Refer to www.edbro.com for:-
 - Bracket details
 - Installation instructions that must be observed
 - Correct oil selection
 - An explanation of tipping capacity



Edbro plc
 Nelson Street, Bolton, England, BL3 2JJ
 Tel +44 (0) 1204 528888 Fax +44 (0) 1204 531957
 Email: postmaster@edbro.com Web: www.edbro.com

Technical Specifications are subject to change without notice
 Date Created/Updated: 18 December 2013
 Refer www.edbro.com to confirm latest specification
 All dimensions are in 'mm', unless otherwise stated



CS180058983B25A15