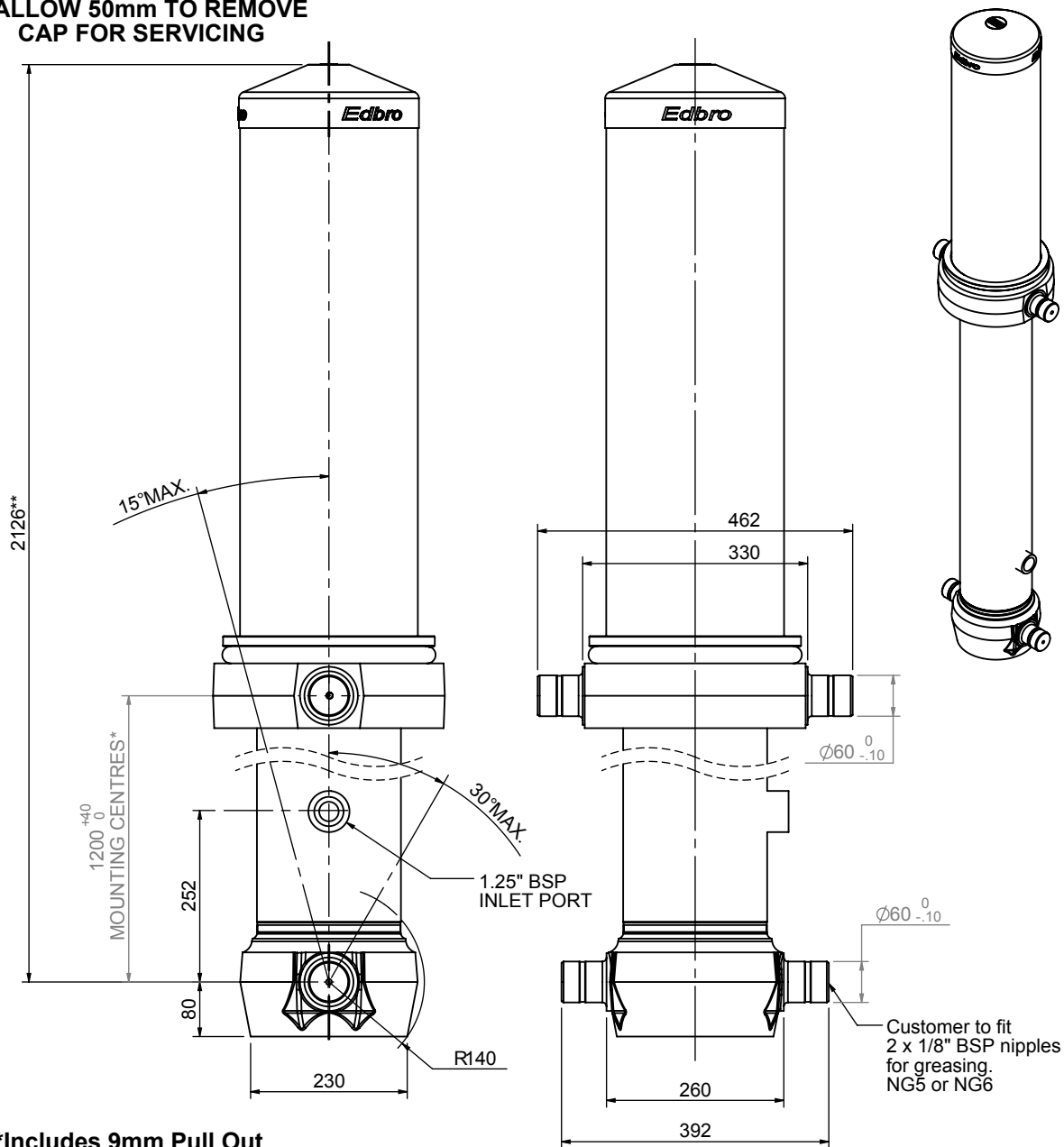


Cylinder 5 stage front end with Outer Cover

****ALLOW 50mm TO REMOVE CAP FOR SERVICING**



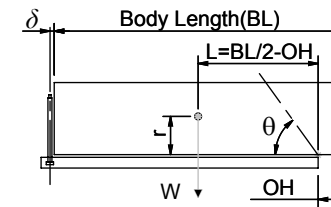
*Includes 9mm Pull Out

CS180059233N25A16

SPECIFICATION		RATED CAPACITY : 27-31 TONNES***		
Stage	Diameter	Length	Stroke	Swept Volume
OUTER COVER	261	890	-	-
0	211	2075	-	-
1	188	2040	1814	50
2	167	2040	1837	40
3	147	2040	1847	31
4	127	2040	1862	24
5	105	2040	1867	16
Final stroke reduced by	0	Total (+5/-10)	9227	161
Cylinder Mass (Kg)	418.71	Priming Volume	30	
Rated Pressure (Bar)	110	Total Volume (Litres)	191	
Maximum Pressure (Bar)	175	Max. first stage thrust	260 KN	

***TIPPING CAPACITY AT RATED PRESSURE

d = 229 ; r = 900



		BODY LENGTH (BL)				OH
		11500	12000	12500		
27	47°					150
29	49°	28	47°			450
31	50°	29	48°	28	46°	750

— Tipping angle (θ)
 — Body + payload mass, W (tonne)

For guidance only;

Higher Rated Pressures may be possible. To check your application, email Edbro plc at <applications@edbro.co.uk>

NOTES

- If hydraulic pressure is used to limit overloading, the system relief valve must be set to the Rated Pressure unless agreed otherwise by Edbro
- The system relief valve can be set to Maximum Pressure if the load is limited by other means. See RATINGS page for advice
- This cylinder is for lifting purposes only and sload conditions must be avoided
- Cylinder is painted in primer paint to RAL5013
- See bracket options page BRKT01, BRKT02
- See installation instructions INSTALL01
- Use oil according to specification OIL01