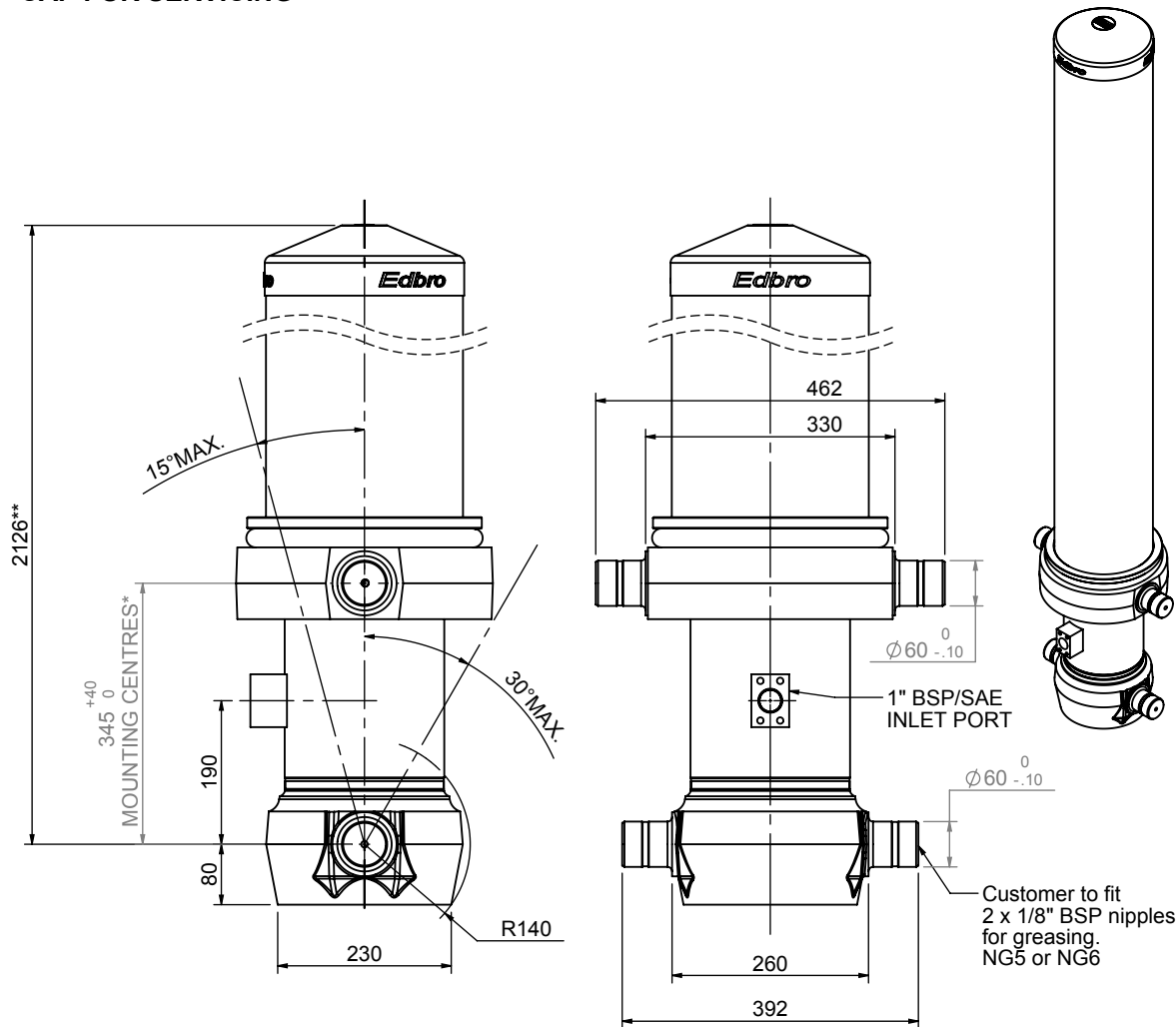


# Cylinder 5 stage front end with Outer Cover

**\*\*ALLOW 50mm TO REMOVE CAP FOR SERVICING**



**\*Includes 12mm Pull Out All Stages Chrome Plated**



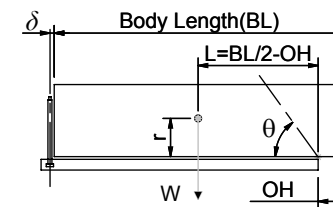
**Edbro plc**  
 Nelson Street, Bolton, Lancashire BL3 2JJ UK  
 Tel +44 (0) 1204 528888 Fax +44 (0) 1204 531957  
 Email: postmaster@edbro.com Web: www.edbro.com

# CS180059233S19A11C

SPECIFICATION		RATED CAPACITY : 28-34 TONNES***		
Stage	Diameter	Length	Stroke	Swept Volume
OUTER COVER	261	1745	-	-
0	211	2075	-	-
1	188	2040	1814	50
2	167	2040	1837	40
3	147	2040	1847	31
4	127	2040	1862	24
5	105	2040	1867	16
Final stroke reduced by	0	Total (+5/-10)	9227	161
Cylinder Mass (Kg)	444.11	Priming Volume	30	
Rated Pressure (Bar)	120	Total Volume (Litres)	191	
Maximum Pressure (Bar)	175	Max. first stage thrust	260 KN	

### \*\*\*TIPPING CAPACITY AT RATED PRESSURE

d = 229 ; r = 900



	BODY LENGTH (BL)						OH
	11500	12000	12500	12500	12500	12500	
30	47°	29	45°	28	43°	150	
32	48°	31	46°	30	44°	450	
34	50°	32	48°	31	45°	750	

Tipping angle ( $\theta$ )  
 Body + payload mass, W (tonne)

### For guidance only;

Higher Rated Pressures may be possible. To check your application, email Edbro plc at <applications@edbro.co.uk>

### NOTES

- If hydraulic pressure is used to limit overloading, the system relief valve must be set to the Rated Pressure unless agreed otherwise by Edbro
- The system relief valve can be set to Maximum Pressure if the load is limited by other means. See RATINGS page for advice
- This cylinder is for lifting purposes only and sload conditions must be avoided
- Cylinder is painted in primer paint to RAL5013
- See bracket options page BRKT01, BRKT02
- See installation instructions INSTALL01
- Use oil according to specification OIL01

Technical Specifications are subject to change without notice  
 Date Created/Updated: 26 August 2009 14:39:33  
 Refer www.edbro.com to confirm latest specification  
 All dimensions are in 'mm', unless otherwise stated