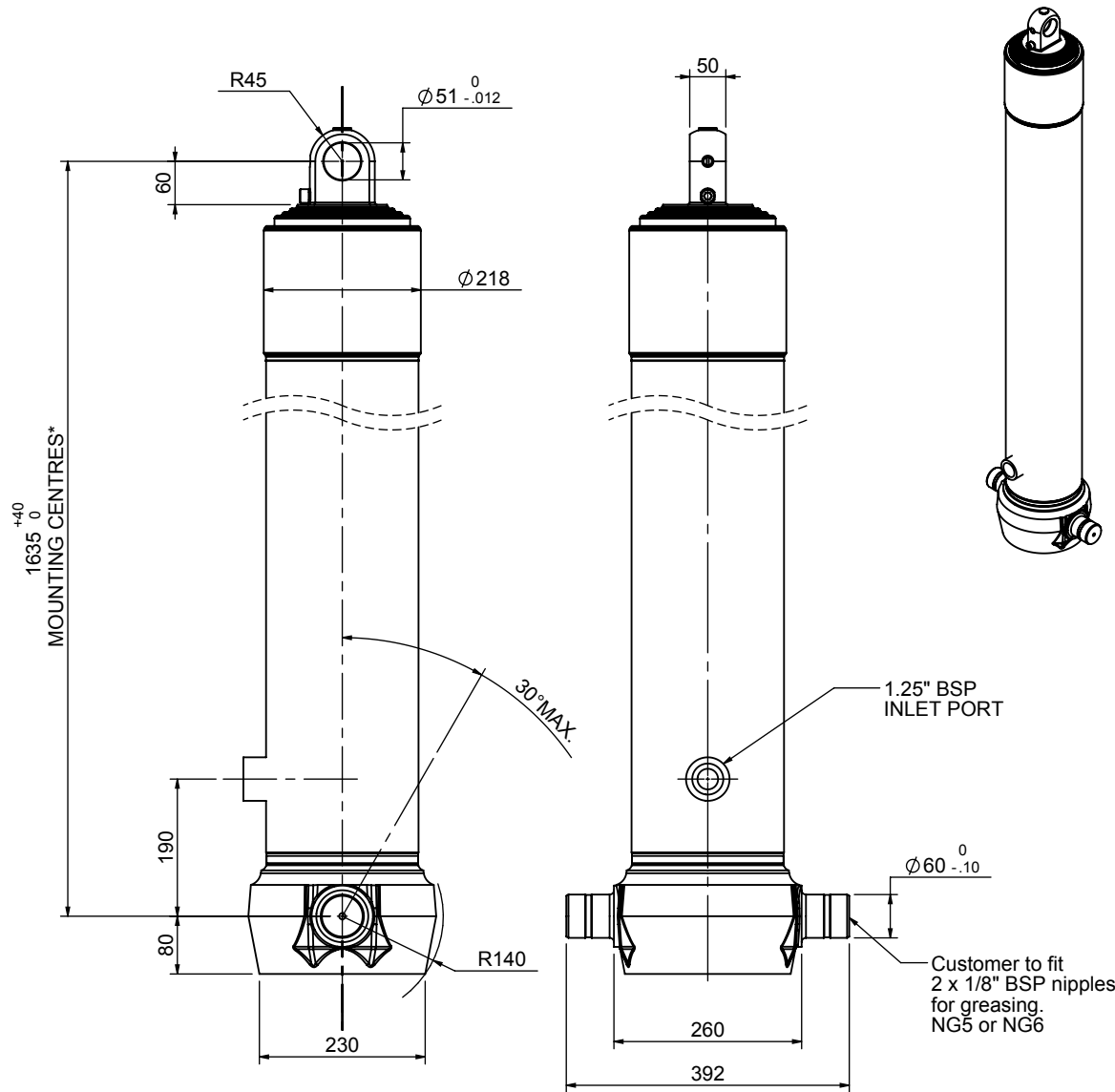


Cylinder 4 stage front end with plain eye

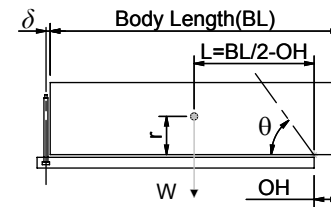
CS180E45566B19A01



SPECIFICATION		RATED CAPACITY : 46-59 TONNES**		
Stage	Diameter	Length	Stroke	Swept Volume
-	-	-	-	-
-	-	-	-	-
0	211	1625	-	-
1	188	1590	1367	38
2	167	1590	1387	30
3	147	1590	1397	24
4	127	1590	1412	18
Final stroke reduced by	0	Total (+5/-10)	5563	110
Cylinder Mass (Kg)	241.07	Priming Volume	26	
Rated Pressure (Bar)	120	Total Volume (Litres)	136	
Maximum Pressure (Bar)	175	Max. first stage thrust	260 KN	

**TIPPING CAPACITY AT RATED PRESSURE

d = 0 ; r = 900



BODY LENGTH (BL)						OH
7000		7500		8000		
46	49°	43	45°	41	42°	150
52	51°	48	47°	45	44°	450
60	54°	53	50°	49	46°	750

Tipping angle (θ)
 Body + payload mass, W (tonne)

For guidance only;

Higher Rated Pressures may be possible. To check your application, email Edbro plc at <applications@edbro.co.uk>

NOTES

- If hydraulic pressure is used to limit overloading, the system relief valve must be set to the Rated Pressure unless agreed otherwise by Edbro
- The system relief valve can be set to Maximum Pressure if the load is limited by other means. See RATINGS page for advice
- This cylinder is for lifting purposes only and sload conditions must be avoided
- Cylinder is painted in primer paint to RAL5013
- See bracket options page BRKT01, BRKT02
- See installation instructions INSTALL01
- Use oil according to specification OIL01

*Includes 9mm Pull Out Last Stage Chrome Plated



Edbro plc
 Nelson Street, Bolton, Lancashire BL3 2JJ UK
 Tel +44 (0) 1204 528888 Fax +44 (0) 1204 531957
 Email: postmaster@edbro.com Web: www.edbro.com

Technical Specifications are subject to change without notice
 Date Created/Updated: 01 December 2009 14:51:03
 Refer www.edbro.com to confirm latest specification
 All dimensions are in 'mm', unless otherwise stated