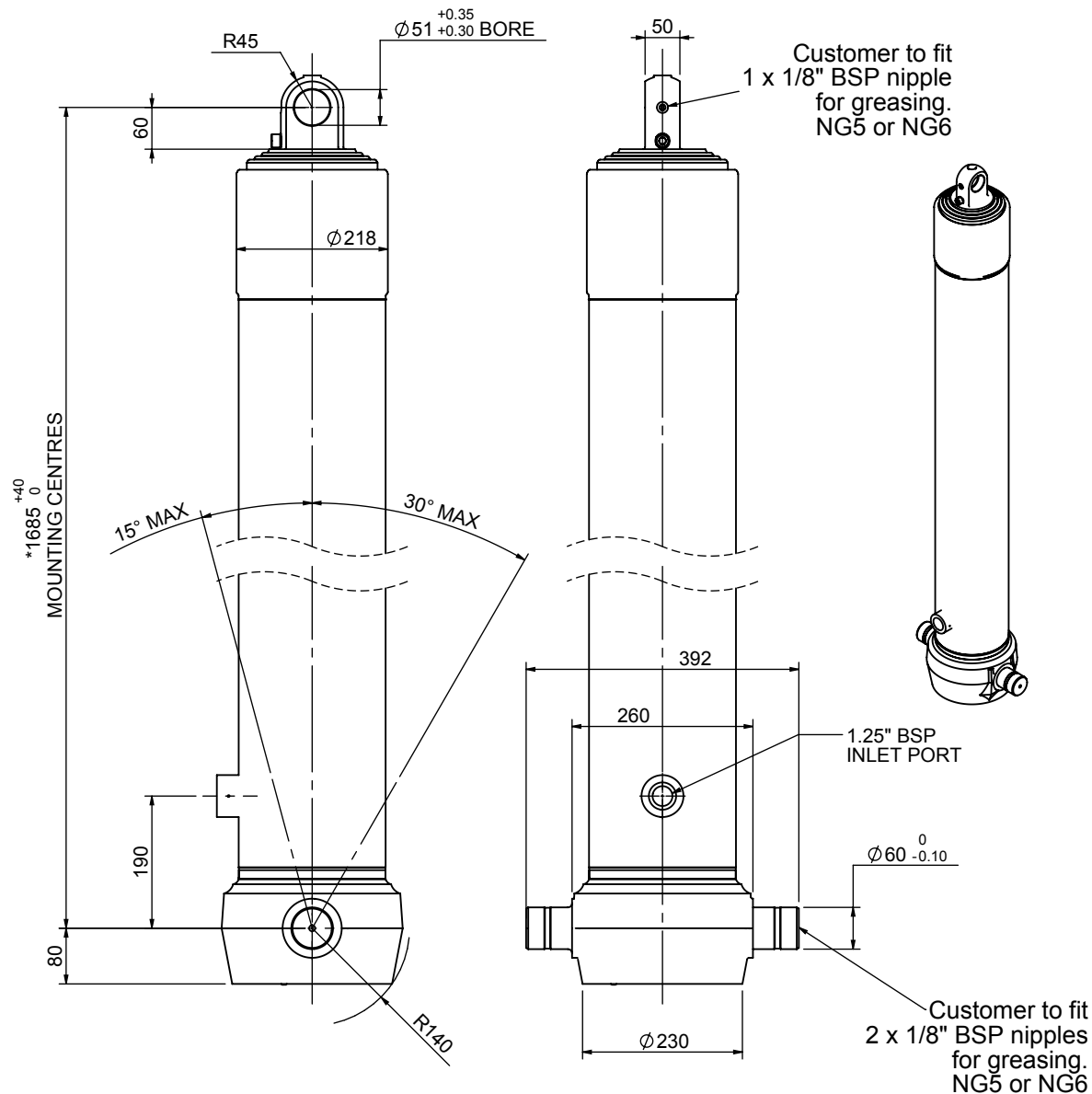


Cylinder 4 stage front end with plain eye

CS180E45766B19A01

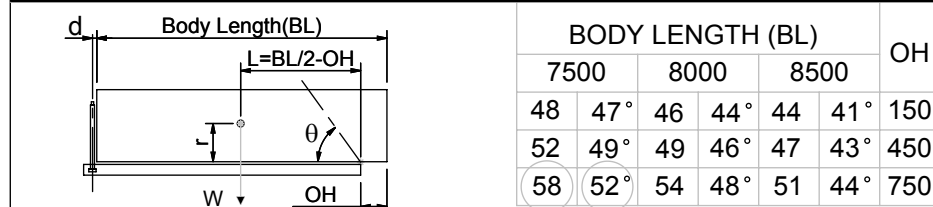


SPECIFICATION

TIPPING CAPACITY : 44-58 TONNES***

Stage	Diameter	Length	Stroke	Swept Volume
-	-	-	-	-
-	-	-	-	-
0	211	1675	-	-
1	188	1640	1418	39
2	167	1640	1437	31
3	147	1640	1447	25
4	127	1640	1462	19
Total (+5/-10)			5764	114
Final stroke reduced by	0	Priming Volume		27
Cylinder Mass (Kg)	261	Total Volume (Litres)		141
Maximum Pressure (Bar)	190	Max. first stage thrust		265 KN

***TIPPING CAPACITY AT WORKING PRESSURE



d = 0; r = 750; Working Pressure 135 bar

For guidance only;
Higher working pressures and tipping capacities may be possible.
To check your application email - applications@edbro.co.uk

NOTES

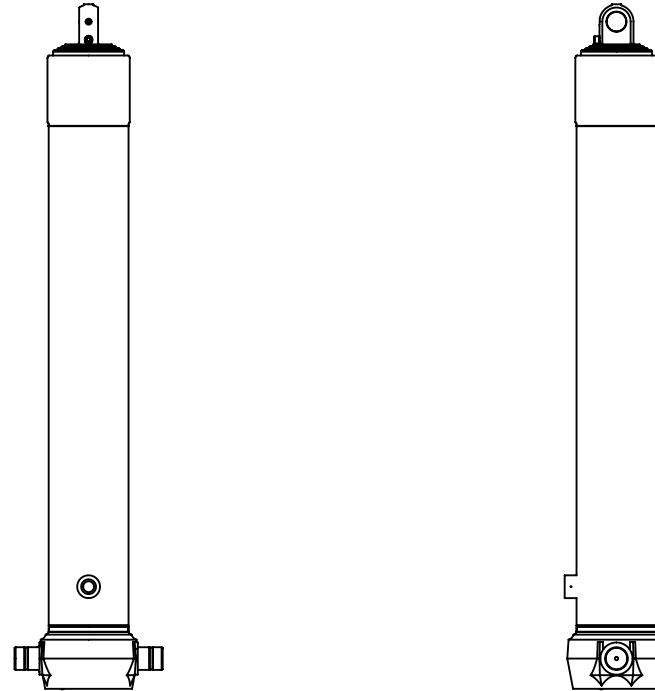
- This cylinder is for lifting purposes only and side load conditions should be avoided
- Cylinder is painted in primer paint to RAL5013
- Refer to www.edbro.com for:-
 - Bracket details
 - Installation instructions that must be observed
 - Correct oil selection
 - An explanation of tipping capacity

*Includes 9 mm Pull Out.
Last Stage Chrome Plated



Edbro plc
Nelson Street, Bolton, England, BL3 2JJ
Tel +44 (0) 1204 528888 Fax +44 (0) 1204 531957
Email: postmaster@edbro.com Web: www.edbro.com

Technical Specifications are subject to change without notice
Date Created/Updated: 20 August 2012
Refer www.edbro.com to confirm latest specification
All dimensions are in 'mm', unless otherwise stated



CS180E45766B19A01