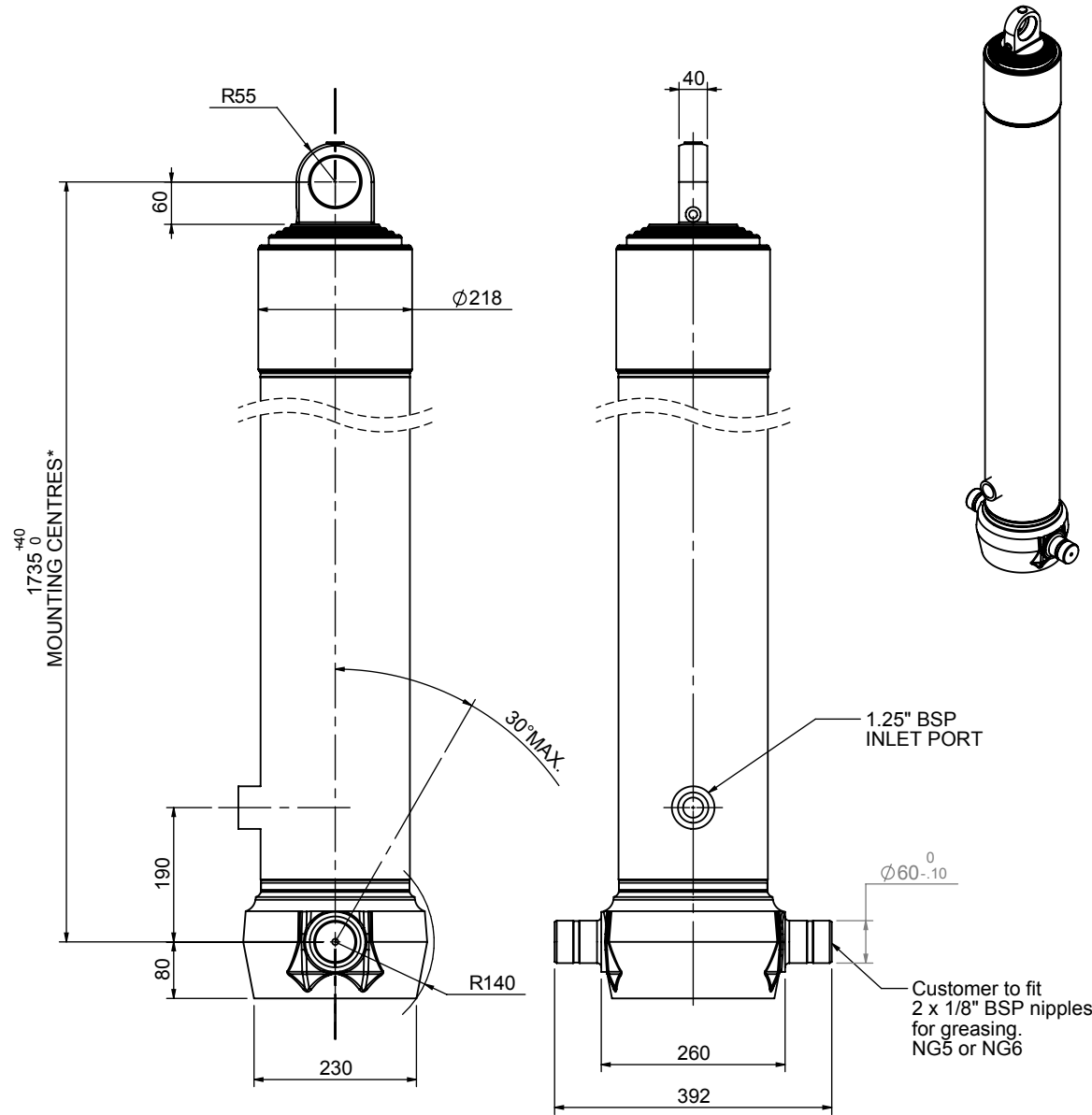


Cylinder 4 stage front end with plain eye

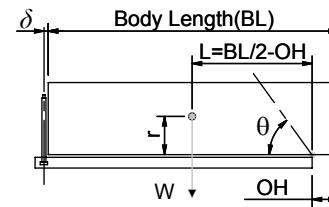
CS180E45966B19A01



SPECIFICATION		RATED CAPACITY : 45-60 TONNES**		
Stage	Diameter	Length	Stroke	Swept Volume
-	-	-	-	-
-	-	-	-	-
0	211	1725	-	-
1	188	1690	1467	41
2	167	1690	1487	33
3	147	1690	1497	25
4	127	1690	1512	19
Final stroke reduced by	0	Total (+5/-10)	5963	118
Cylinder Mass (Kg)	268.67	Priming Volume	28	
Rated Pressure (Bar)	135	Total Volume (Litres)	146	
Maximum Pressure (Bar)	175	Max. first stage thrust	260 KN	

**TIPPING CAPACITY AT RATED PRESSURE

d = 0 ; r = 900



		BODY LENGTH (BL)					OH
		7750	8250	8750			
49	47°	47	44°	45	41°	150	
54	49°	50	46°	48	43°	450	
60	52°	55	48°	52	45°	750	

Tipping angle (θ)
 Body + payload mass, W (tonne)

For guidance only;

Higher Rated Pressures may be possible. To check your application, email Edbro plc at <applications@edbro.co.uk>

NOTES

- If hydraulic pressure is used to limit overloading, the system relief valve must be set to the Rated Pressure unless agreed otherwise by Edbro
- The system relief valve can be set to Maximum Pressure if the load is limited by other means. See RATINGS page for advice
- This cylinder is for lifting purposes only and sload conditions must be avoided
- Cylinder is painted in primer paint to RAL5013
- See bracket options page BRKT01, BRKT02
- See installation instructions INSTALL01
- Use oil according to specification OIL01

*Includes 9mm Pull Out
Last Stage Chrome Plated

Edbro
SETTING THE INDUSTRY STANDARD

Edbro plc
Nelson Street, Bolton, Lancashire BL3 2JJ UK
Tel +44 (0) 1204 528888 Fax +44 (0) 1204 531957
Email: postmaster@edbro.com Web: www.edbro.com

Technical Specifications are subject to change without notice
Date Created/Updated: 19 August 2009 11:39:36
Refer www.edbro.com to confirm latest specification
All dimensions are in 'mm', unless otherwise stated