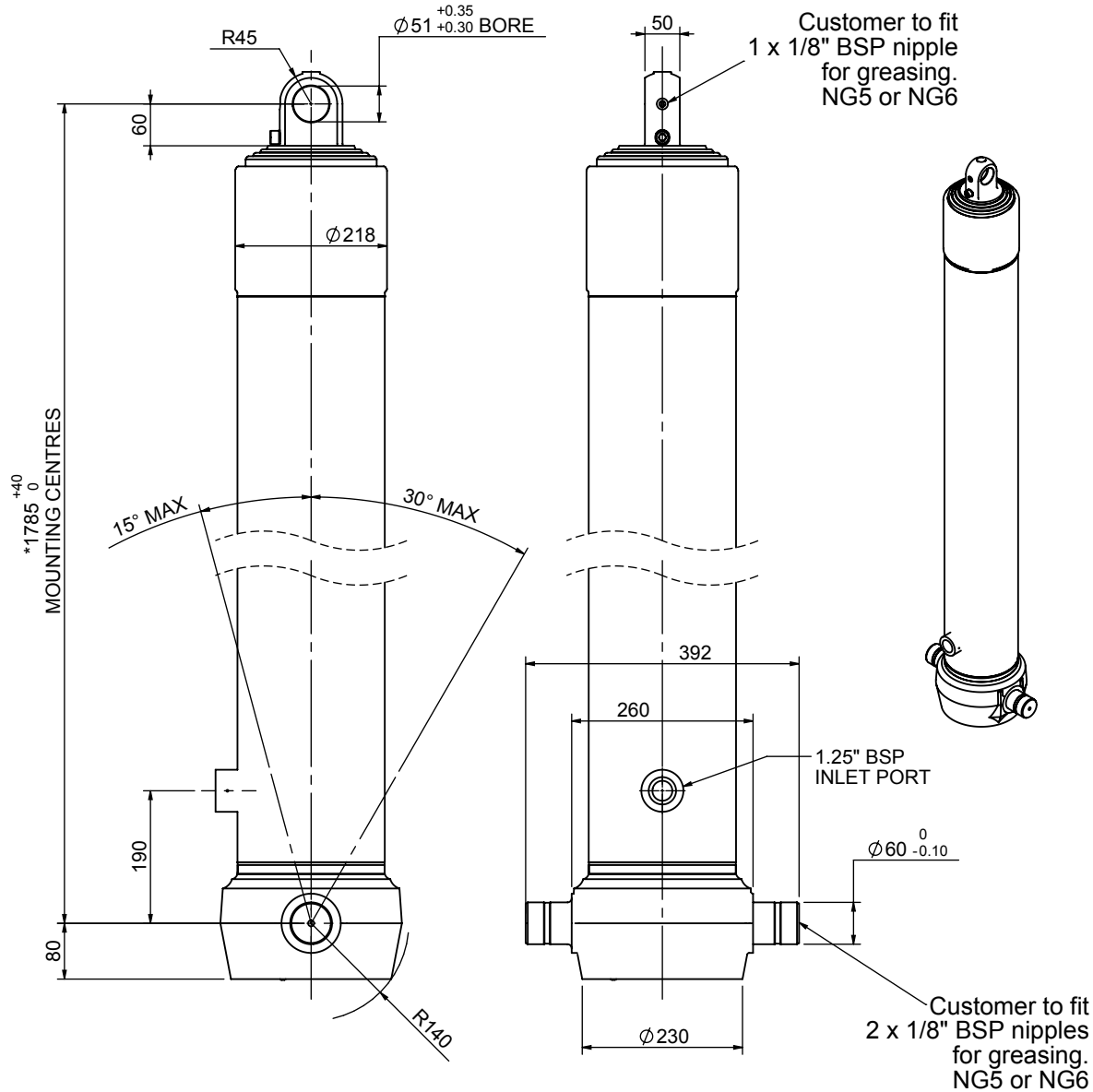


Cylinder 4 stage front end with plain eye

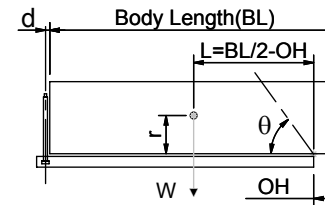


*Includes 9 mm Pull Out.
Last Stage Chrome Plated

CS180E46166B19A01

SPECIFICATION		TIPPING CAPACITY : 44-56 TONNES***		
Stage	Diameter	Length	Stroke	Swept Volume
-	-	-	-	-
-	-	-	-	-
0	211	1775	-	-
1	188	1740	1518	42
2	167	1740	1537	34
3	147	1740	1547	26
4	127	1740	1562	20
Total (+5/-10)			6164	122
Final stroke reduced by	0	Priming Volume		29
Cylinder Mass (Kg)	275	Total Volume (Litres)		151
Maximum Pressure (Bar)	190	Max. first stage thrust		265 KN

***TIPPING CAPACITY AT WORKING PRESSURE



BODY LENGTH (BL)						OH
8000	8500	9000				
47	47°	45	44°	44	41°	150
51	49°	49	46°	47	43°	450
56	52°	53	48°	50	45°	750

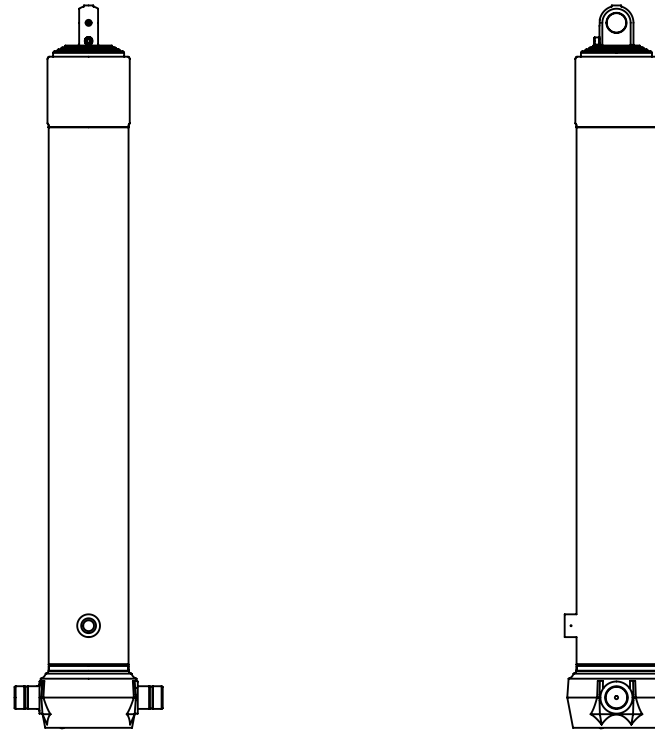
d = 0; r = 750; Working Pressure 135 bar

For guidance only;

Higher working pressures and tipping capacities may be possible.
To check your application email - applications@edbro.co.uk

NOTES

- This cylinder is for lifting purposes only and side load conditions should be avoided
- Cylinder is painted in primer paint to RAL5013
- Refer to www.edbro.com for:-
 - Bracket details
 - Installation instructions that must be observed
 - Correct oil selection
 - An explanation of tipping capacity



CS180E46166B19A01