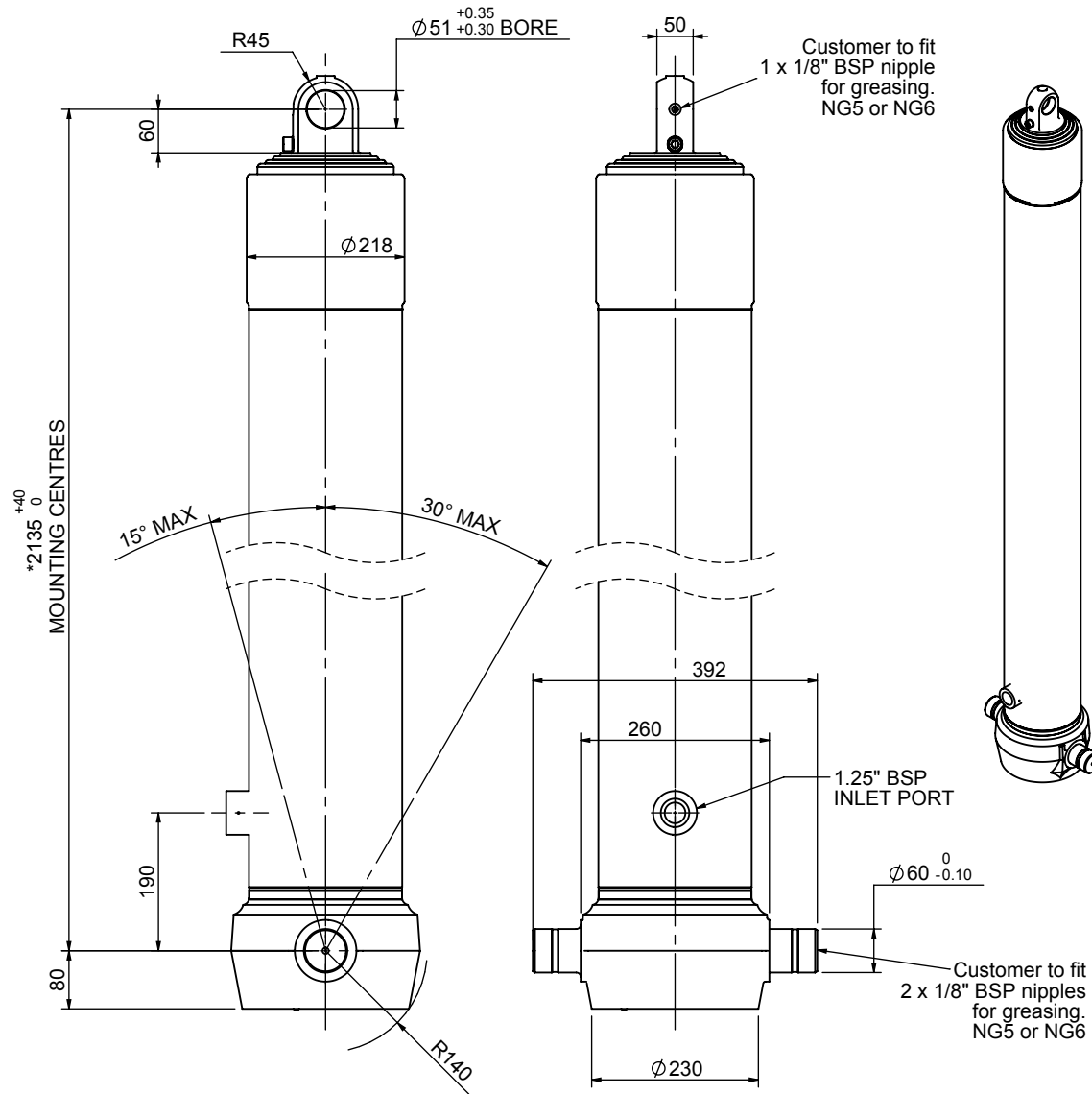


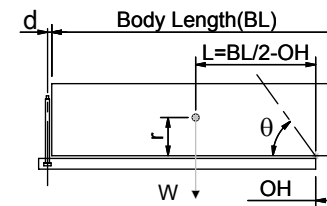
Cylinder 4 stage front end with plain eye

CS180E47566B19A01



SPECIFICATION		TIPPING CAPACITY : 29-35 TONNES***		
Stage	Diameter	Length	Stroke	Swept Volume
-	-	-	-	-
-	-	-	-	-
0	211	2125	-	-
1	188	2090	1868	52
2	167	2090	1887	41
3	147	2090	1897	32
4	127	2090	1912	24
Total (+5/-10)			7564	149
Final stroke reduced by	0	Priming Volume		35
Cylinder Mass (Kg)	321	Total Volume (Litres)		184
Maximum Pressure (Bar)	190	Max. first stage thrust		265 KN

***TIPPING CAPACITY AT WORKING PRESSURE



BODY LENGTH (BL)						OH
9750		10250		10750		
30	47°	30	45°	29	42°	150
32	49°	31	46°	30	44°	450
35	51°	33	48°	32	45°	750

d = 0; r = 750; Working Pressure 90 bar

For guidance only;
Higher working pressures and tipping capacities may be possible.
To check your application email - applications@edbro.co.uk

NOTES

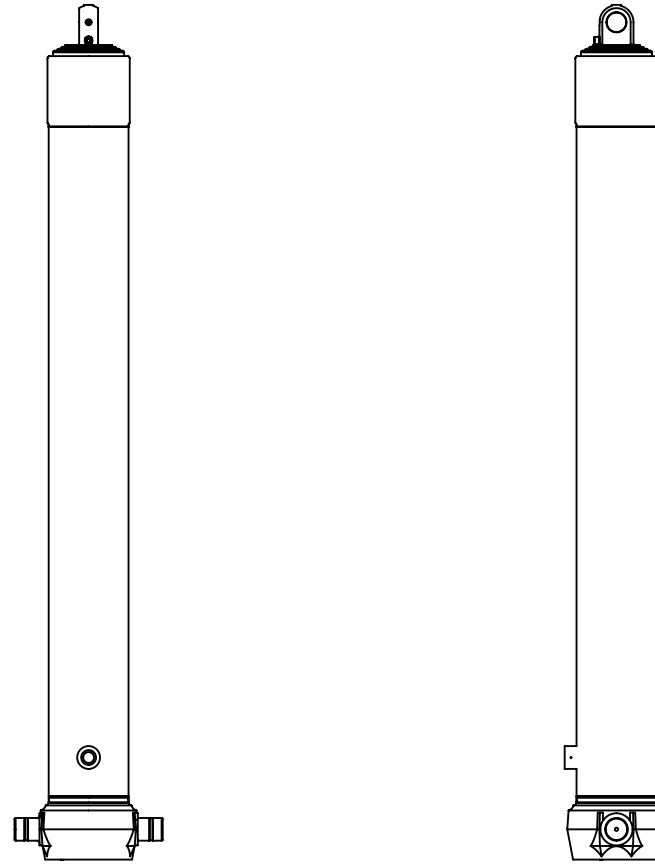
1. This cylinder is for lifting purposes only and side load conditions should be avoided
2. Cylinder is painted in primer paint to RAL5013
3. Refer to www.edbro.com for:-
 - Bracket details
 - Installation instructions that must be observed
 - Correct oil selection
 - An explanation of tipping capacity

*Includes 9 mm Pull Out.
Last Stage Chrome Plated



Edbro plc
Nelson Street, Bolton, England, BL3 2JJ
Tel +44 (0) 1204 528888 Fax +44 (0) 1204 531957
Email: postmaster@edbro.com Web: www.edbro.com

Technical Specifications are subject to change without notice
Date Created/Updated: 24 August 2012
Refer www.edbro.com to confirm latest specification
All dimensions are in 'mm', unless otherwise stated



CS180E47566B19A01