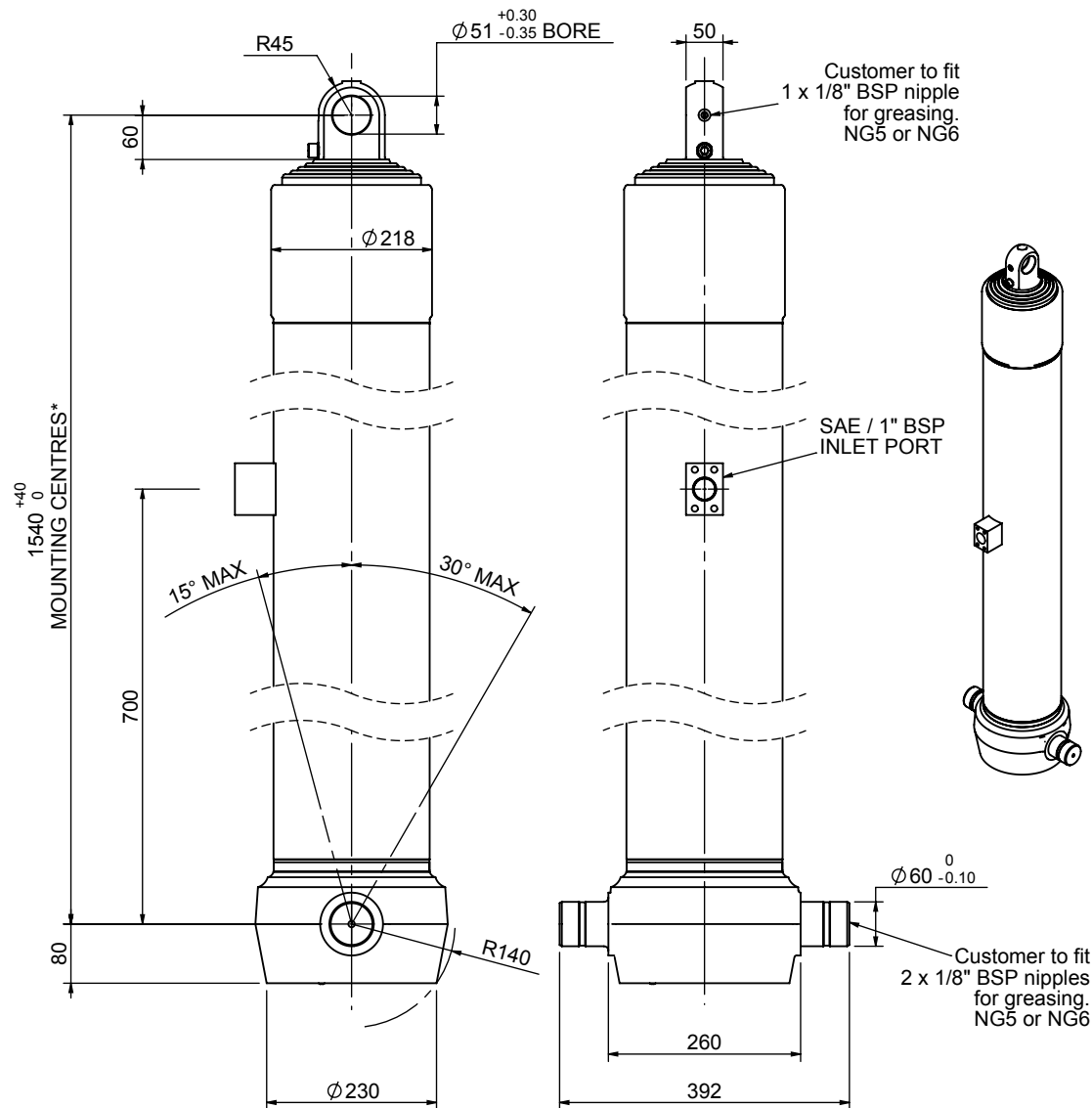


Cylinder 5 stage front end with plain eye

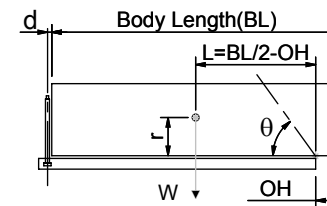


*Includes 9mm Pull Out.
Last Stage Chrome Plated

CS180E56483S70A01

SPECIFICATION		TIPPING CAPACITY : 37-48 TONNES***		
Stage	Diameter	Length	Stroke	Swept Volume
-	-	-	-	-
0	211	1525	-	-
1	188	1490	1268	35
2	167	1490	1287	28
3	147	1490	1297	22
4	127	1490	1312	17
5	105	1490	1317	11
Total (+5/-10)			6481	113
Final stroke reduced by	0	Priming Volume		21
Cylinder Mass (Kg)	268	Total Volume (Litres)		134
Maximum Pressure (Bar)	190	Max. first stage thrust		265 KN

***TIPPING CAPACITY AT WORKING PRESSURE



BODY LENGTH (BL)						OH
8500	9000	9500				
40	46°	39	44°	37	41°	150
44	48°	41	45°	40	43°	450
48	50°	45	47°	42	44°	750

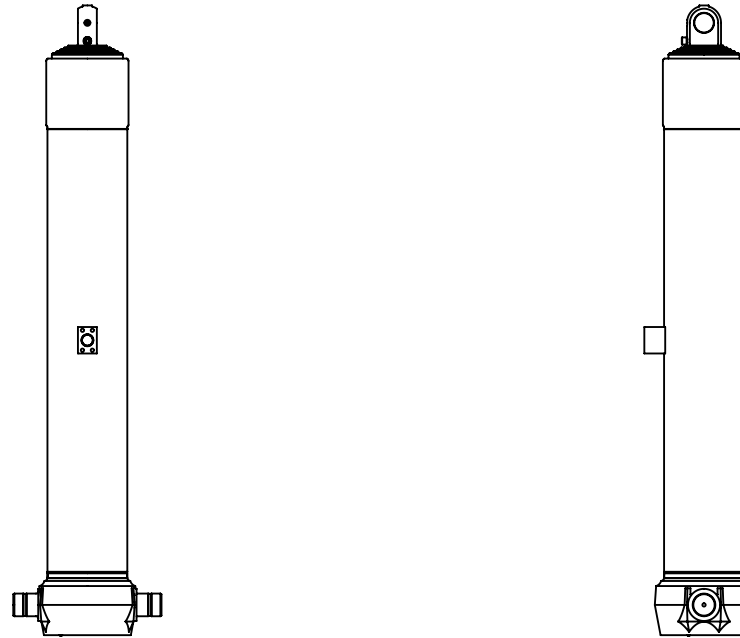
d = 0; r = 750; Working Pressure 165 bar

For guidance only;

Higher working pressures and tipping capacities may be possible.
To check your application email - applications@edbro.co.uk

NOTES

1. This cylinder is for lifting purposes only and side load conditions should be avoided
2. Cylinder is painted in primer paint to RAL5013
3. Refer to www.edbro.com for;-
 - Bracket details
 - Installation instructions that must be observed
 - Correct oil selection
 - An explanation of tipping capacity



CS180E56483S70A01