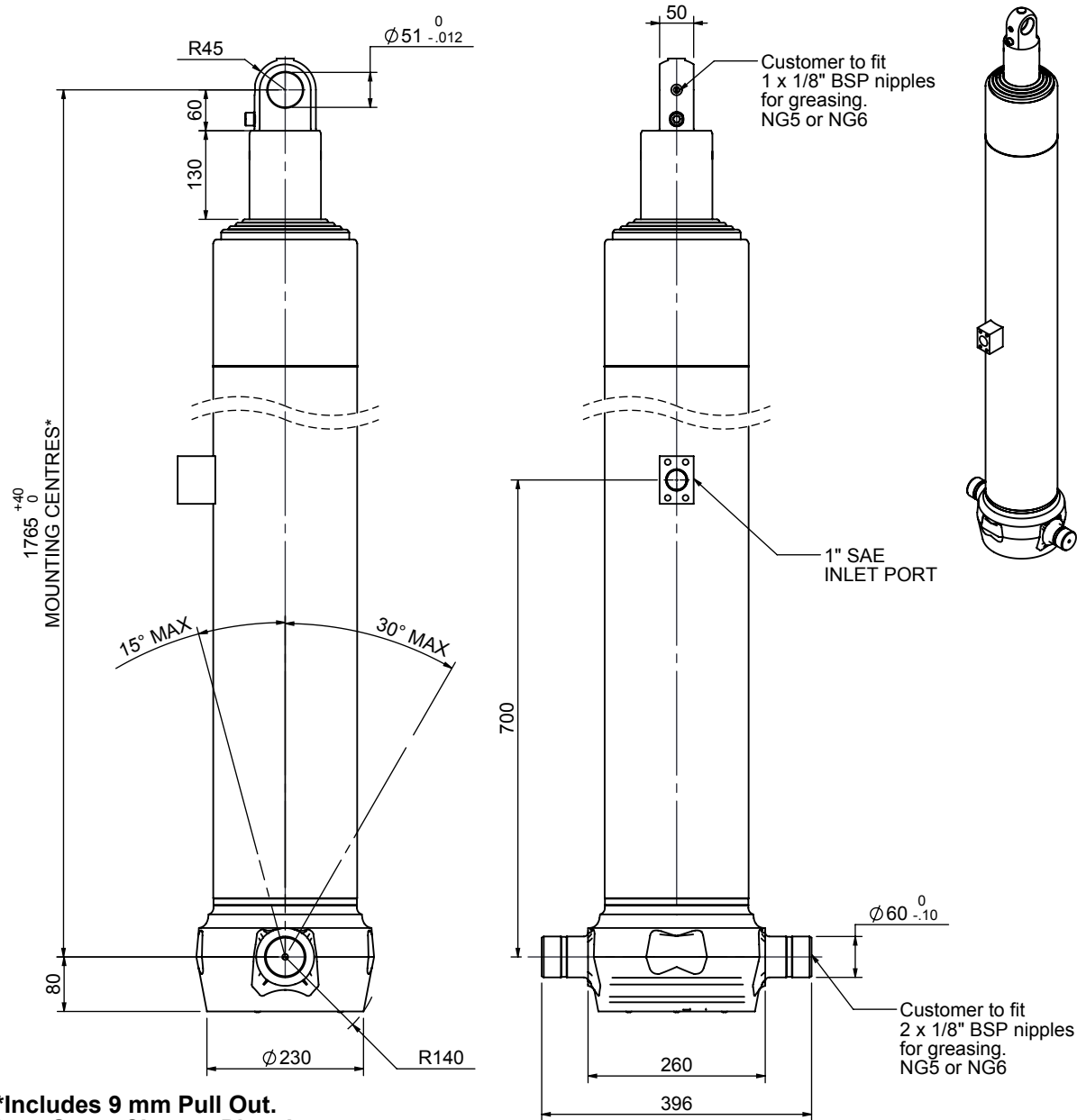


# Cylinder 5 stage front end with plain eye



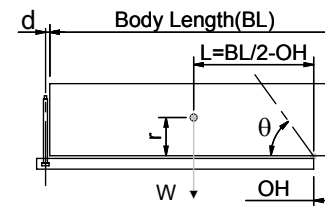
\*Includes 9 mm Pull Out.  
Last Stage Chrome Plated

# CS180E56983S70A06

## SPECIFICATION TIPPING CAPACITY : 28-37 TONNES\*\*\*

Stage	Diameter	Length	Stroke	Swept Volume
-	-	-	-	-
0	211	1625	-	-
1	188	1590	1368	38
2	167	1590	1387	30
3	147	1590	1397	24
4	127	1590	1412	18
5	105	1715	1417	12
			Total (+5/-10)	122
Final stroke reduced by	0	Priming Volume		23
Cylinder Mass (Kg)	282	Total Volume (Litres)		145
Maximum Pressure (Bar)	190	Max. first stage thrust		265 KN

## \*\*\*TIPPING CAPACITY AT WORKING PRESSURE



BODY LENGTH (BL)						OH
8500	9000	9500				
31	50°	29	47°	28	45°	150
33	53°	31	49°	30	46°	450
37	55°	34	51°	32	48°	750

d = 0; r = 900; Working Pressure 120 bar

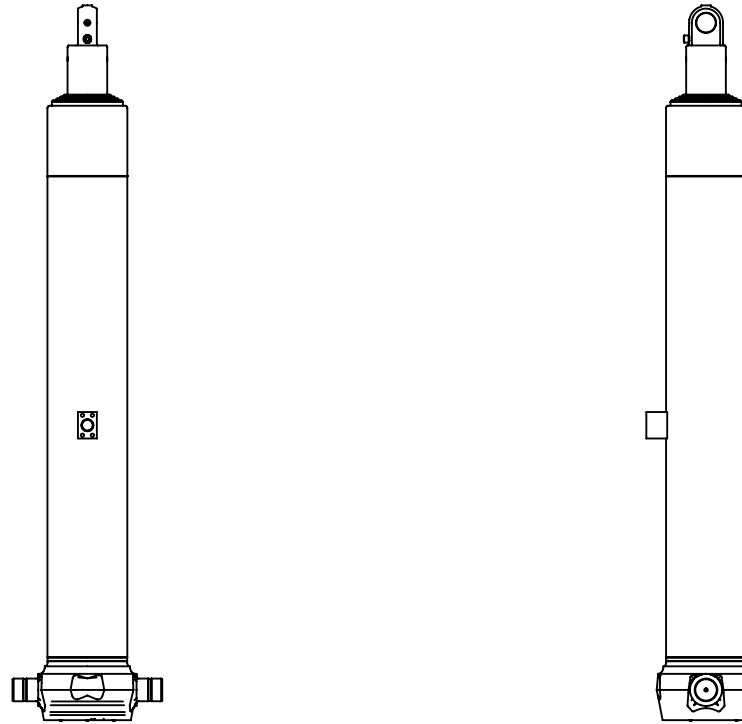
### For guidance only;

Higher working pressures and tipping capacities may be possible.

To check your application email - [applications@edbro.co.uk](mailto:applications@edbro.co.uk)

## NOTES

1. This cylinder is for lifting purposes only and side load conditions should be avoided
2. Cylinder is painted in primer paint to RAL5013
3. Refer to [www.edbro.com](http://www.edbro.com) for:-
  - Bracket details
  - Installation instructions that must be observed
  - Correct oil selection
  - An explanation of tipping capacity



CS180E56983S70A06