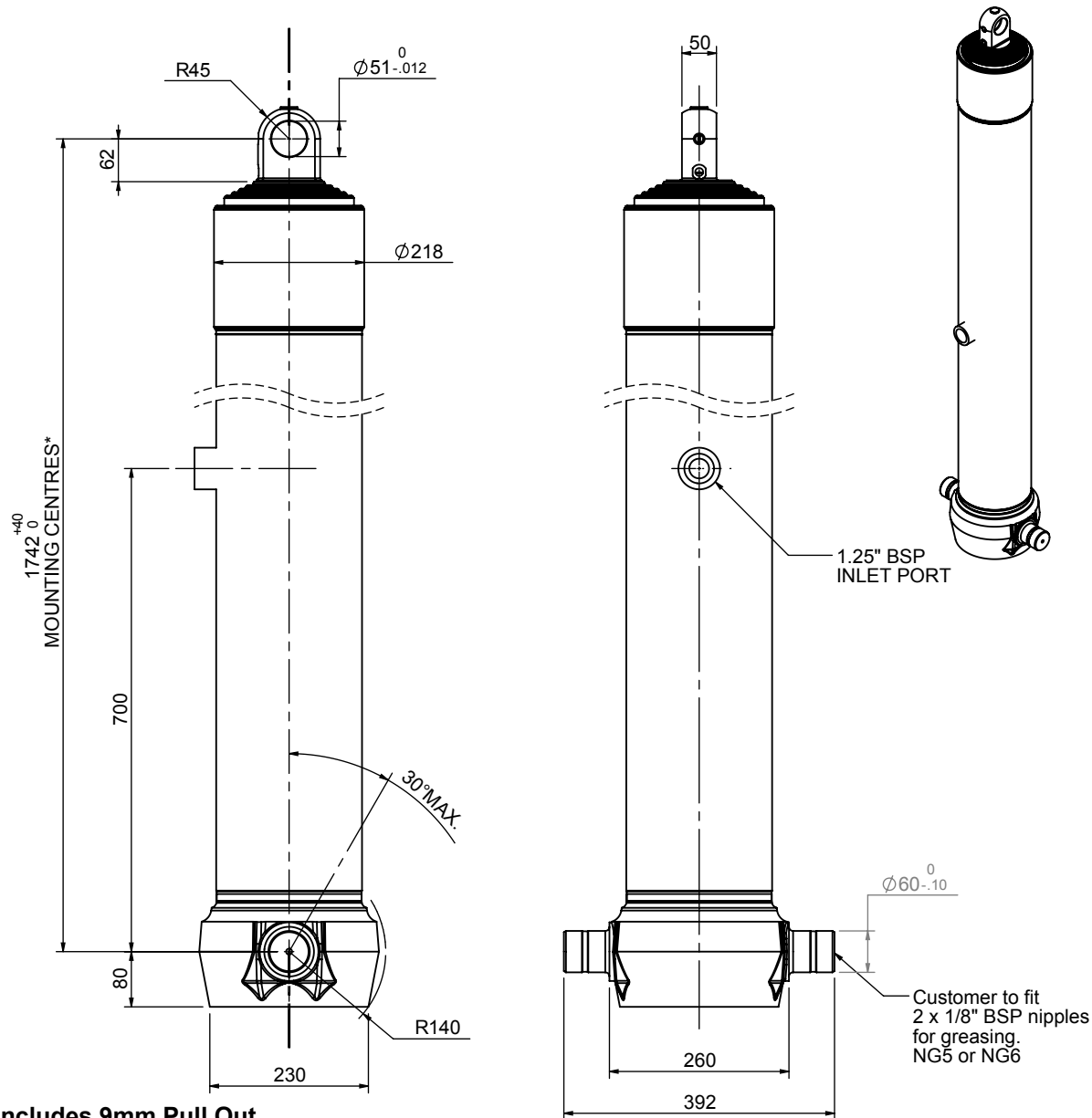


# Cylinder 5 stage front end with plain eye



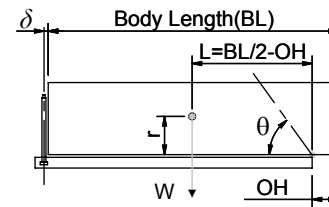
\*Includes 9mm Pull Out Last Stage Chrome Plated

# CS180E57483B70A01

SPECIFICATION		RATED CAPACITY : 34-43 TONNES**		
Stage	Diameter	Length	Stroke	Swept Volume
-	-	-	-	-
0	211	1725	-	-
1	188	1690	1467	41
2	167	1690	1487	33
3	147	1690	1497	25
4	127	1690	1512	19
5	105	1692	1517	13
Final stroke reduced by	0	Total (+5/-10)	7480	131
Cylinder Mass (Kg)	298.55	Priming Volume		24
Rated Pressure (Bar)	135	Total Volume (Litres)		155
Maximum Pressure (Bar)	175	Max. first stage thrust		260 KN

### \*\*TIPPING CAPACITY AT RATED PRESSURE

d = 0 ; r = 900



BODY LENGTH (BL)					OH	
9000		9500		10000		
36	51°	34	48°		150	
39	53°	36	50°	35	47°	450
43	55°	40	52°	37	49°	750

### For guidance only;

Higher Rated Pressures may be possible. To check your application, email Edbro plc at <applications@edbro.co.uk>

### NOTES

- If hydraulic pressure is used to limit overloading, the system relief valve must be set to the Rated Pressure unless agreed otherwise by Edbro
- The system relief valve can be set to Maximum Pressure if the load is limited by other means. See RATINGS page for advice
- This cylinder is for lifting purposes only and sload conditions must be avoided
- Cylinder is painted in primer paint to RAL5013
- See bracket options page BRKT01, BRKT02
- See installation instructions INSTALL01
- Use oil according to specification OIL01