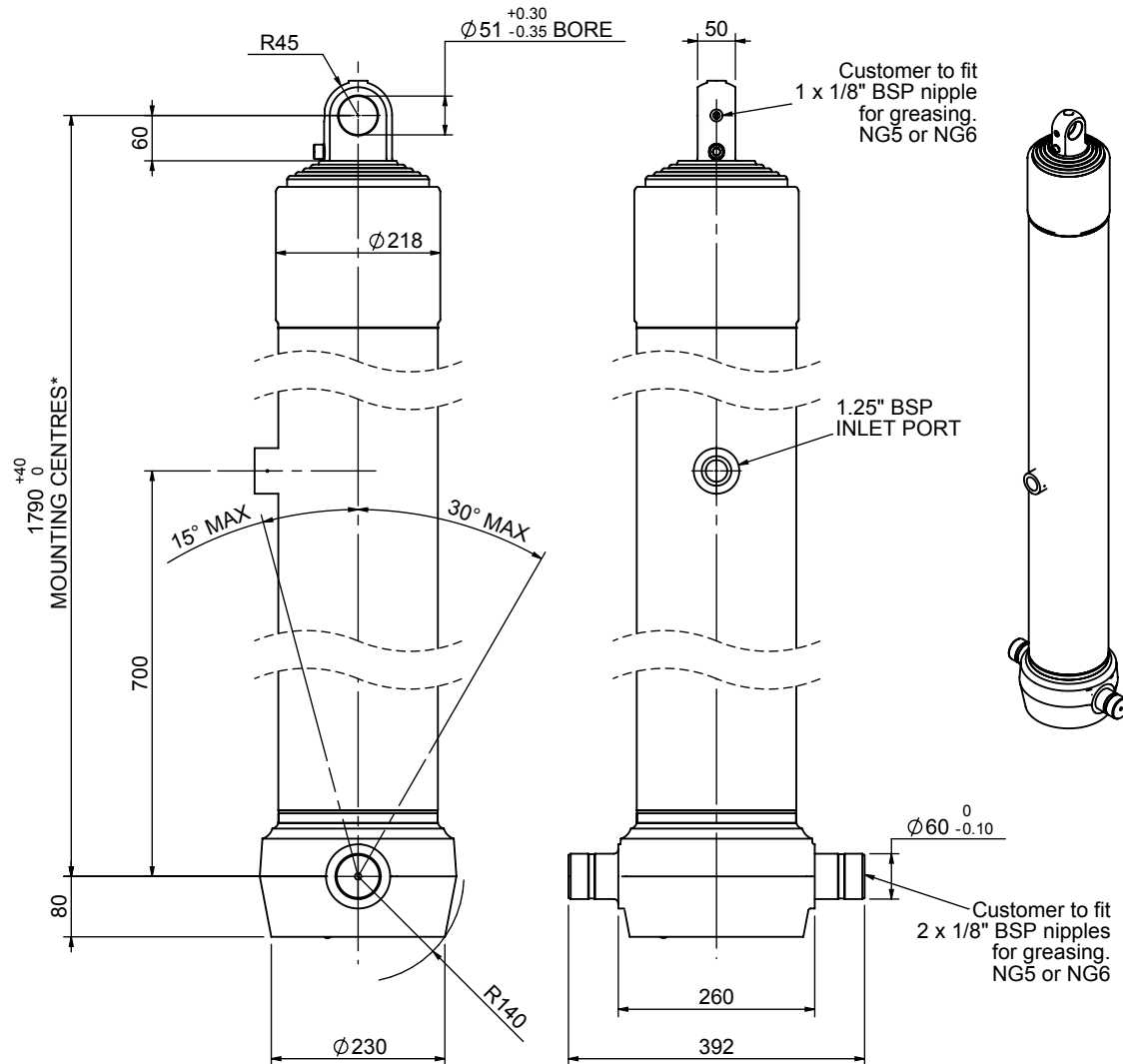


# Cylinder 5 stage front end with plain eye

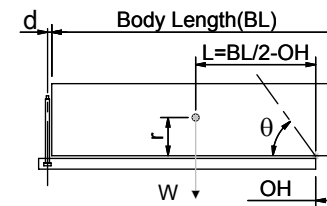


\*Includes 9mm Pull Out.  
Last Stage Chrome Plated

# CS180E57733B70A01

SPECIFICATION		TIPPING CAPACITY : 25-31 TONNES***		
Stage	Diameter	Length	Stroke	Swept Volume
-	-	-	-	-
0	211	1775	-	-
1	188	1740	1518	42
2	167	1740	1537	34
3	147	1740	1547	26
4	127	1740	1562	20
5	105	1740	1567	14
Total (+5/-10)			7731	136
Final stroke reduced by	0	Priming Volume		25
Cylinder Mass (Kg)	305	Total Volume (Litres)		161
Maximum Pressure (Bar)	190	Max. first stage thrust		265 KN

## \*\*\*TIPPING CAPACITY AT WORKING PRESSURE



BODY LENGTH (BL)					OH	
9750	10250	10750	11250	11750		
27	48°	26	46°	25	43°	150
29	50°	27	47°	26	45°	450
31	52°	29	49°	28	46°	750

d = 0; r = 750; Working Pressure 110 bar

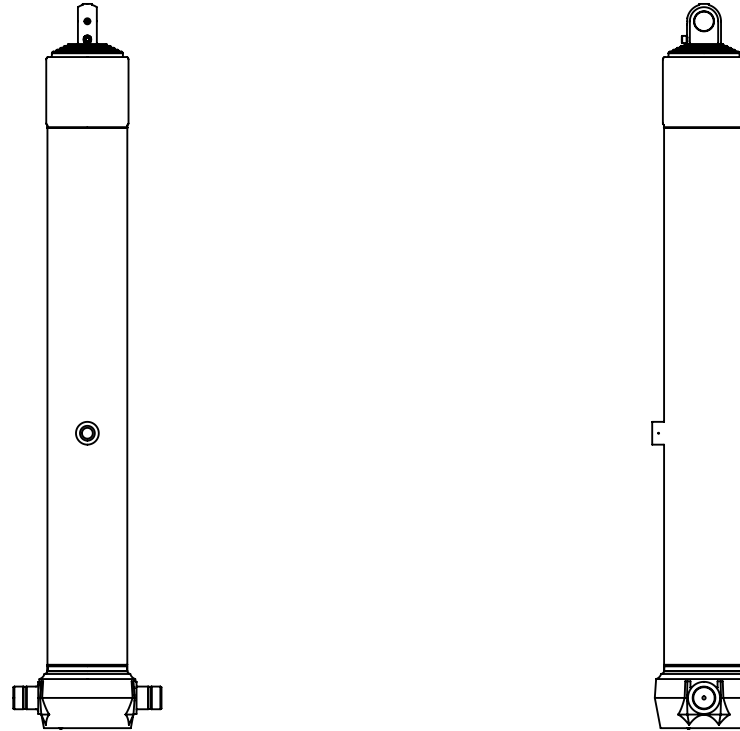
### For guidance only;

Higher working pressures and tipping capacities may be possible.

To check your application email - [applications@edbro.co.uk](mailto:applications@edbro.co.uk)

## NOTES

1. This cylinder is for lifting purposes only and side load conditions should be avoided
2. Cylinder is painted in primer paint to RAL5013
3. Refer to [www.edbro.com](http://www.edbro.com) for;-
  - Bracket details
  - Installation instructions that must be observed
  - Correct oil selection
  - An explanation of tipping capacity



CS180E57733B70A01