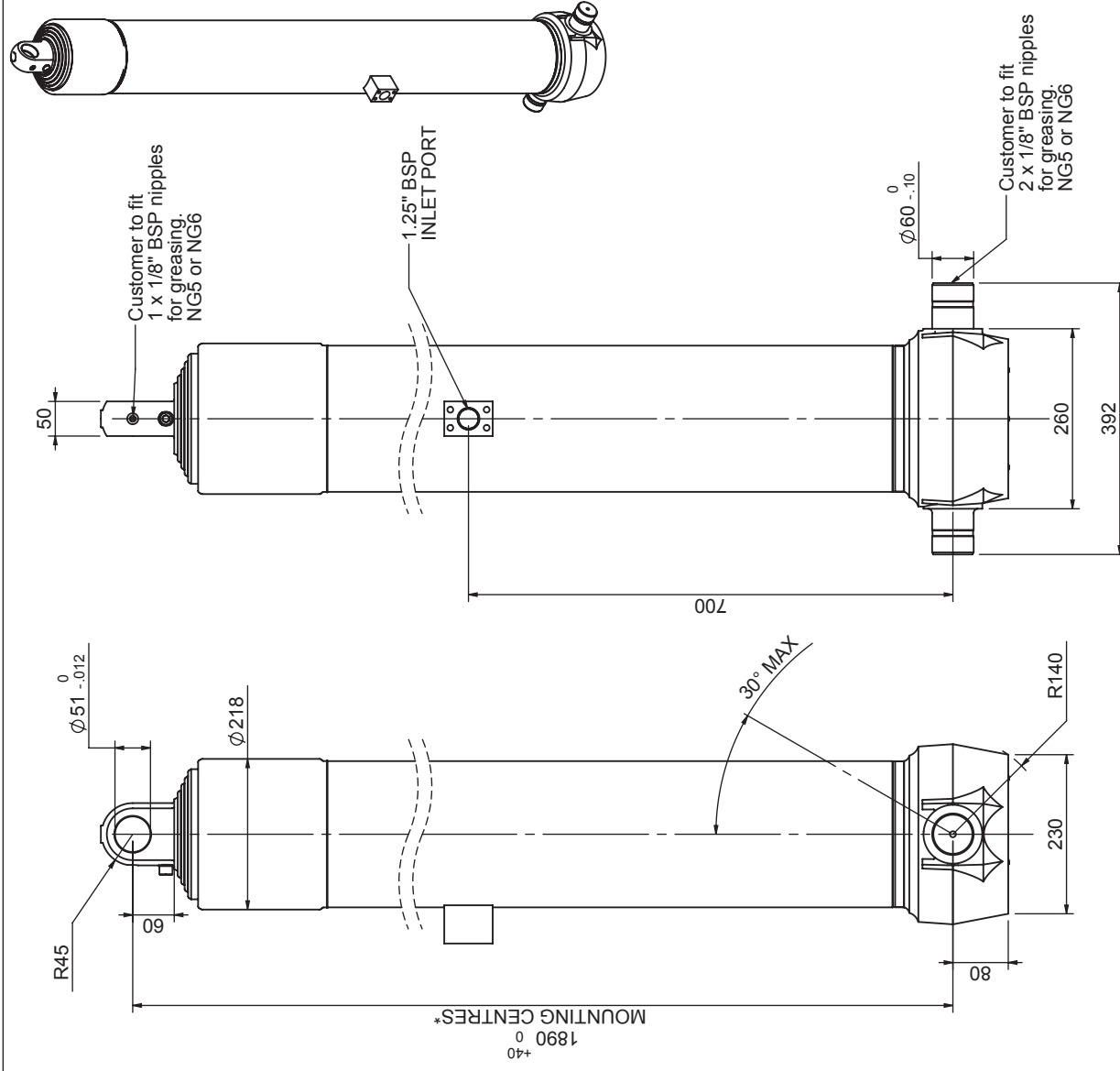


# Cylinder 5 stage front end with plain eye

# CS180E58233S70A01C

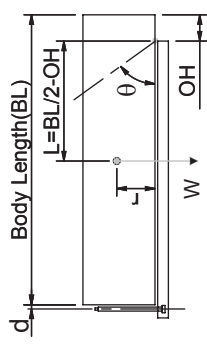


**SPECIFICATION** **RATED CAPACITY : 27-31 TONNES\*\***

Stage	Diameter	Length	Stroke	Swept Volume
-	-	-	-	-
0	211	1875	-	-
1	188	1840	1618	45
2	167	1840	1637	36
3	147	1840	1647	28
4	127	1840	1662	21
5	105	1840	1667	14
Final stroke reduced by	0	Total (+5/-10)	8231	144
Cylinder Mass (Kg)	320.65	Priming Volume		25
Rated Pressure (Bar)	110	Total Volume (Litres)		169
Maximum Pressure (Bar)	175	Max. first stage thrust		260 KN

## \*\*TIPPING CAPACITY AT RATED PRESSURE

$d = 0 ; r = 900$



**BODY LENGTH (BL)**

OH	11000	11500
150	27 48°	
450	29 49°	27 47°
750	31 51°	29 48°

Body + payload mass, W (tonne)

**For guidance only;**  
Higher Rated Pressures may be possible. To check your application, email [Edbro plc at <applications@edbro.co.uk>](mailto:applications@edbro.co.uk)

## NOTES

- If hydraulic pressure is used to limit overloading, the system relief valve must be set to the Rated Pressure unless agreed otherwise by Edbro
- The system relief valve can be set to Maximum Pressure if the load is limited by other means. See RATINGS page for advice
- This cylinder is for lifting purposes only and sideload conditions must be avoided
- Cylinder is painted in primer paint to RAL5013
- See bracket options page BRKT01, BRKT02
- See installation instructions INSTALL01
- Use oil according to specification OIL01

**\*Includes 9mm Pull Out  
All Stages Chrome Plated**



**Edbro plc**  
Nelson Street, Bolton, Lancashire BL3 2JJ UK  
Tel +44 (0) 1204 528888 Fax +44 (0) 1204 531957  
Email: [postmaster@edbro.com](mailto:postmaster@edbro.com) Web: [www.edbro.com](http://www.edbro.com)

Technical Specifications are subject to change without notice  
Date Created/Updated: 24 November 2011 10:54:10  
Refer [www.edbro.com](http://www.edbro.com) to confirm latest specification  
All dimensions are in 'mm'. unless otherwise stated