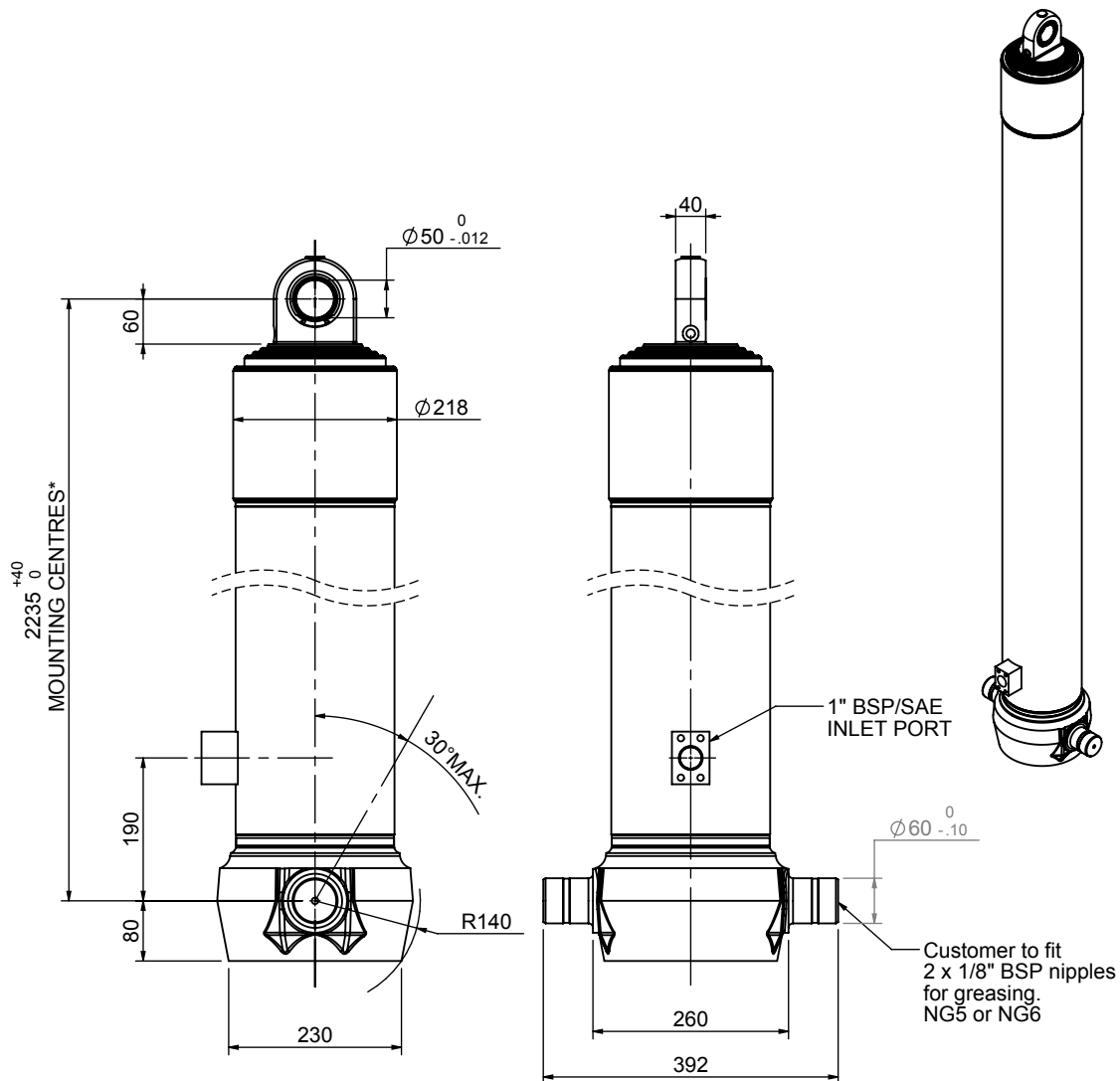


Cylinder 4 stage front end with spherical eye

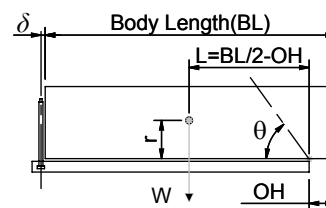
CS180S47616S19H01



SPECIFICATION		RATED CAPACITY : 44-51 TONNES**		
Stage	Diameter	Length	Stroke	Swept Volume
-	-	-	-	-
-	-	-	-	-
0	211	2225	-	-
1	188	2190	1967	55
2	167	2190	1987	44
3	147	2190	1997	34
4	127	2190	1662	21
Final stroke reduced by	350	Total (+5/-10)	7613	154
Cylinder Mass (Kg)	335.81	Priming Volume	37	
Rated Pressure (Bar)	120	Total Volume (Litres)	191	
Maximum Pressure (Bar)	175	Max. first stage thrust	260 KN	

**TIPPING CAPACITY AT RATED PRESSURE

d = 0 ; r = 900



BODY LENGTH (BL)						OH
9500		10000		10500		
44	49°					150
47	51	45	48°			450
51	53°	48	50°	46	47°	750

For guidance only;
Higher Rated Pressures may be possible. To check your application, email Edbro plc at <applications@edbro.co.uk>

NOTES

- If hydraulic pressure is used to limit overloading, the system relief valve must be set to the Rated Pressure unless agreed otherwise by Edbro
- The system relief valve can be set to Maximum Pressure if the load is limited by other means. See RATINGS page for advice
- This cylinder is for lifting purposes only and sload conditions must be avoided
- Cylinder is painted in primer paint to RAL5013
- See bracket options page BRKT01, BRKT02
- See installation instructions INSTALL01
- Use oil according to specification OIL01

*Includes 9mm Pull Out Last Stage Chrome Plated



Edbro plc
Nelson Street, Bolton, Lancashire BL3 2JJ UK
Tel +44 (0) 1204 528888 Fax +44 (0) 1204 531957
Email: postmaster@edbro.com Web: www.edbro.com

Technical Specifications are subject to change without notice
Date Created/Updated: 19 August 2009 11:10:08
Refer www.edbro.com to confirm latest specification
All dimensions are in 'mm', unless otherwise stated