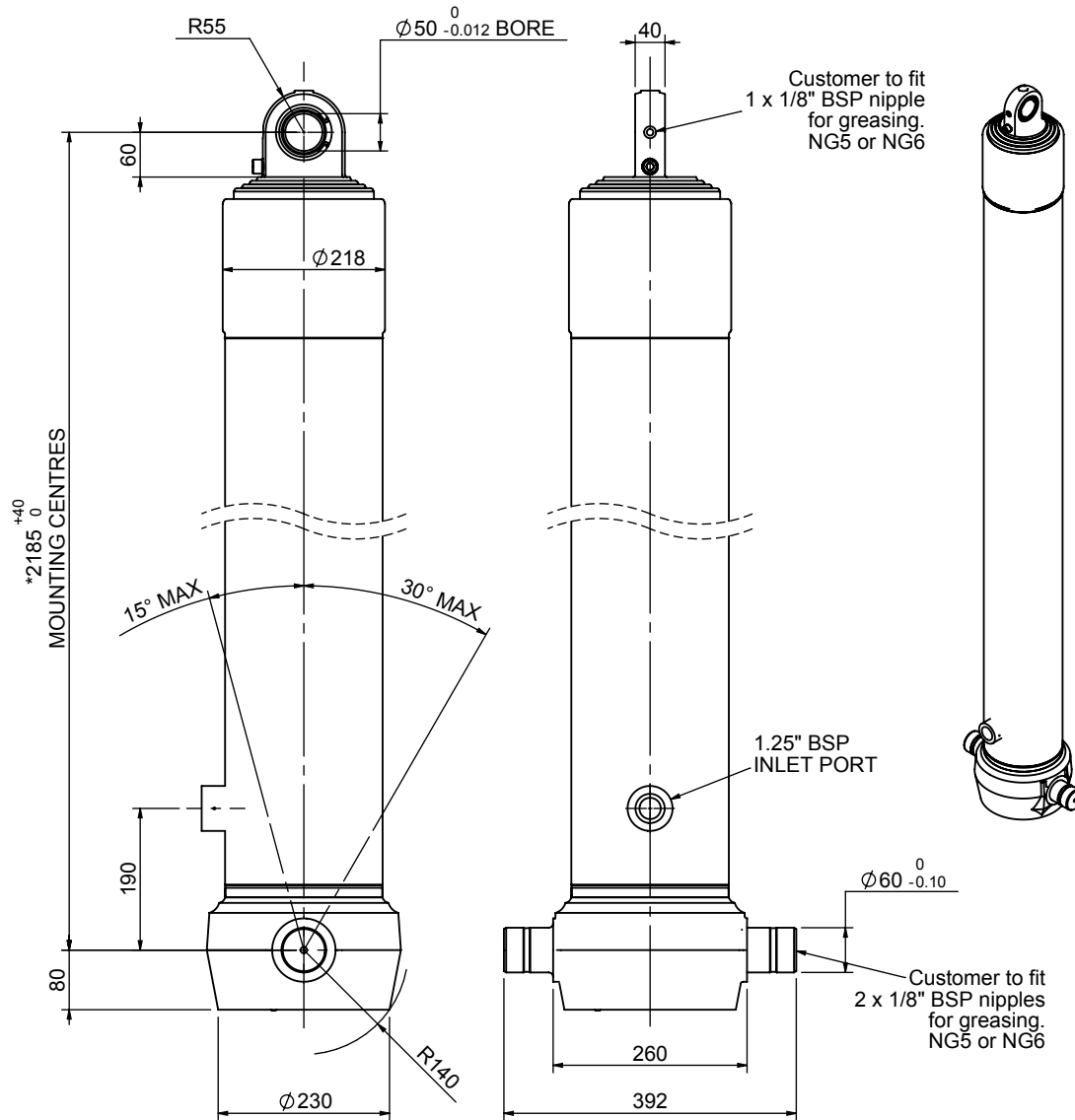


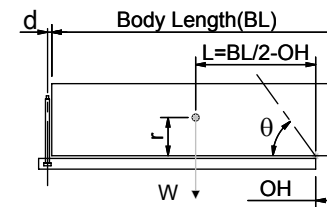
Cylinder 4 stage front end with spherical eye

CS180S47766B19A01



SPECIFICATION		TIPPING CAPACITY : 29-34 TONNES***		
Stage	Diameter	Length	Stroke	Swept Volume
-	-	-	-	-
-	-	-	-	-
0	211	2175	-	-
1	188	2140	1918	53
2	167	2140	1937	42
3	147	2140	1947	33
4	127	2140	1962	25
Total (+5/-10)			7764	153
Final stroke reduced by	0	Priming Volume		36
Cylinder Mass (Kg)	328	Total Volume (Litres)		189
Maximum Pressure (Bar)	190	Max. first stage thrust		265 KN

***TIPPING CAPACITY AT WORKING PRESSURE



BODY LENGTH (BL)						OH
10000	10500	11000				
30	47°	29	45°	29	43°	150
32	49°	31	46°	30	44°	450
34	51°	33	48°	32	45°	750

d = 0; r = 750; Working Pressure 90 bar

For guidance only;

Higher working pressures and tipping capacities may be possible.
To check your application email - applications@edbro.co.uk

NOTES

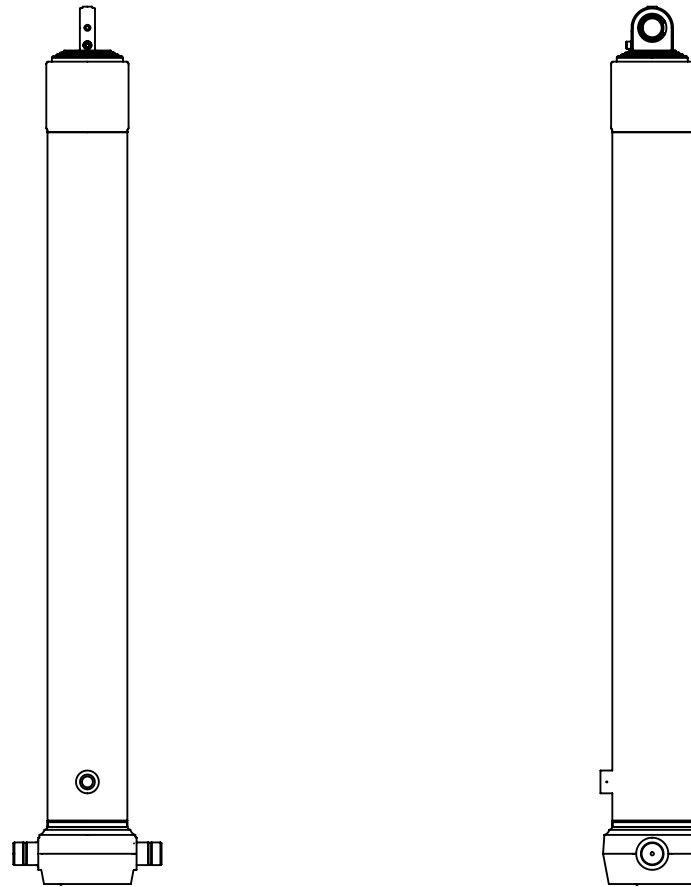
1. This cylinder is for lifting purposes only and side load conditions should be avoided
2. Cylinder is painted in primer paint to RAL5013
3. Refer to www.edbro.com for:-
 - Bracket details
 - Installation instructions that must be observed
 - Correct oil selection
 - An explanation of tipping capacity

*Includes 9mm Pull Out.
Last Stage Chrome Plated



Edbro plc
Nelson Street, Bolton, England, BL3 2JJ
Tel +44 (0) 1204 528888 Fax +44 (0) 1204 531957
Email: postmaster@edbro.com Web: www.edbro.com

Technical Specifications are subject to change without notice
Date Created/Updated: 24 August 2012
Refer www.edbro.com to confirm latest specification
All dimensions are in 'mm', unless otherwise stated



CS180S47766B19A01