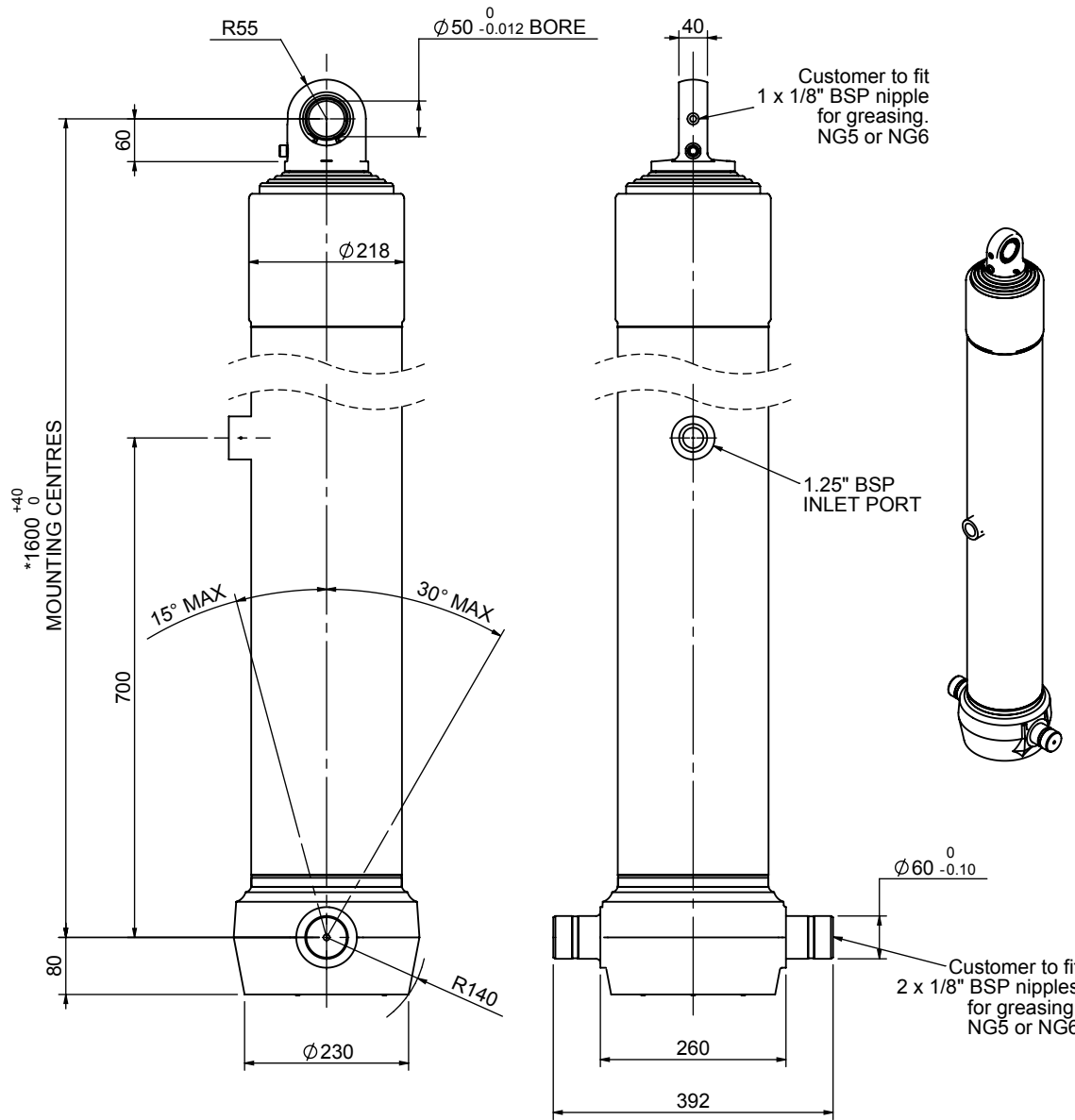


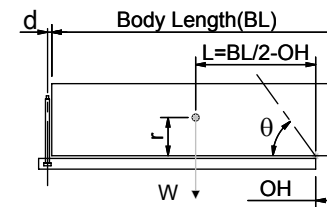
# Cylinder 5 stage front end with spherical eye

CS180S56733B70A01



SPECIFICATION		TIPPING CAPACITY : 34-43 TONNES***		
Stage	Diameter	Length	Stroke	Swept Volume
-	-	-	-	-
0	211	1575	-	-
1	188	1540	1317	37
2	167	1540	1337	29
3	147	1540	1347	23
4	127	1540	1362	17
5	105	1540	1367	12
Total (+5/-10)			6730	118
Final stroke reduced by	0	Priming Volume		22
Cylinder Mass (Kg)	277	Total Volume (Litres)		140
Maximum Pressure (Bar)	190	Max. first stage thrust		265 KN

### \*\*\*TIPPING CAPACITY AT WORKING PRESSURE



BODY LENGTH (BL)						OH
8750	9250	9750				
37	47°	35	44°	34	42°	150
39	49°	37	46°	36	43°	450
43	51°	40	47°	38	45°	750

d = 0; r = 750; Working Pressure 150 bar

### For guidance only;

Higher working pressures and tipping capacities may be possible.

To check your application email - [applications@edbro.co.uk](mailto:applications@edbro.co.uk)

### NOTES

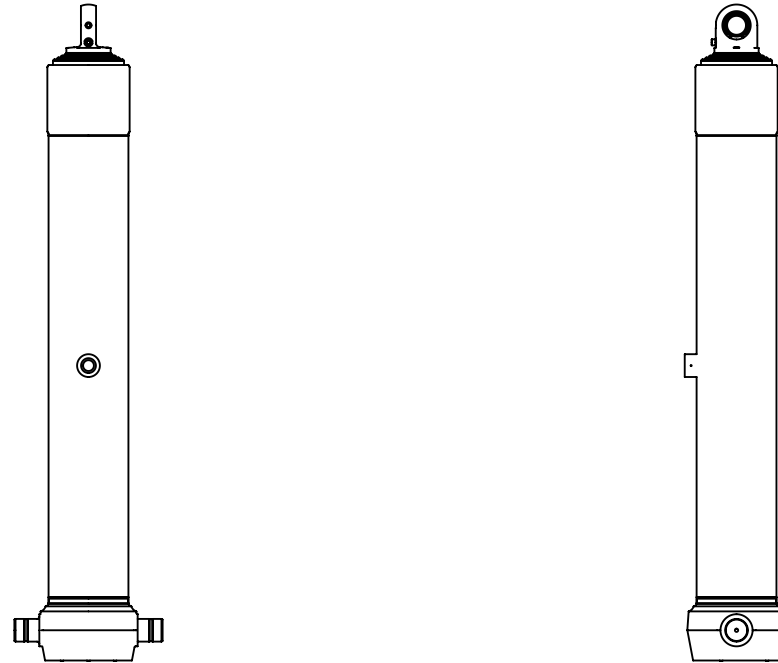
1. This cylinder is for lifting purposes only and side load conditions should be avoided
2. Cylinder is painted in primer paint to RAL5013
3. Refer to [www.edbro.com](http://www.edbro.com) for:-
  - Bracket details
  - Installation instructions that must be observed
  - Correct oil selection
  - An explanation of tipping capacity

\*Includes 10mm Pull Out.  
Last Stage Chrome Plated



**Edbro plc**  
Nelson Street, Bolton, England, BL3 2JJ  
Tel +44 (0) 1204 528888 Fax +44 (0) 1204 531957  
Email: [postmaster@edbro.com](mailto:postmaster@edbro.com) Web: [www.edbro.com](http://www.edbro.com)

Technical Specifications are subject to change without notice  
Date Created/Updated: 29 August 2012  
Refer [www.edbro.com](http://www.edbro.com) to confirm latest specification  
All dimensions are in 'mm', unless otherwise stated



CS180S56733B70A01