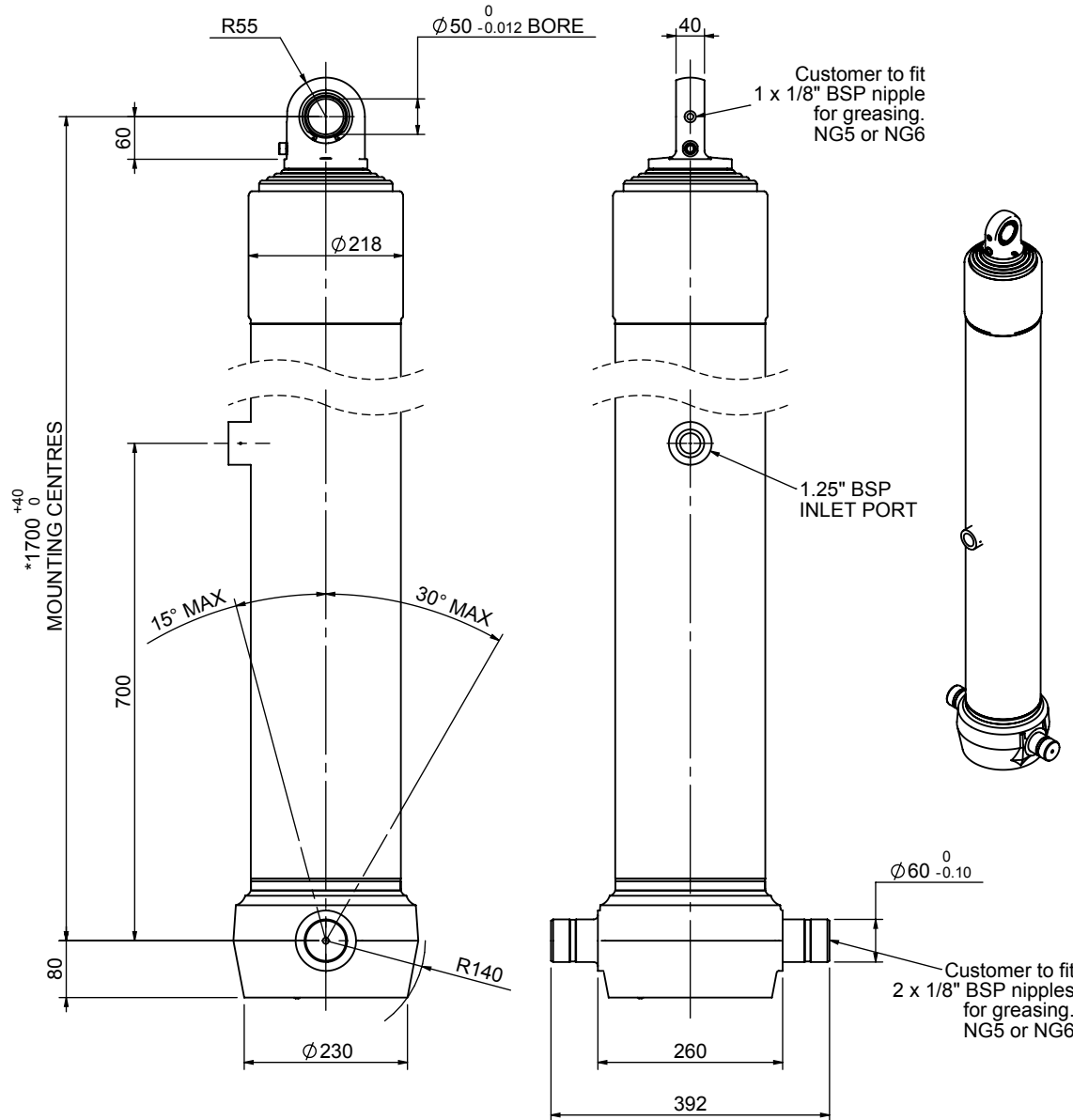


Cylinder 5 stage front end with spherical eye

CS180S57233B70A01



| SPECIFICATION | | TIPPING CAPACITY : 31-38 TONNES*** | | |
|-------------------------|----------|------------------------------------|--------|--------------|
| Stage | Diameter | Length | Stroke | Swept Volume |
| - | - | - | - | - |
| 0 | 211 | 1675 | - | - |
| 1 | 188 | 1640 | 1417 | 39 |
| 2 | 167 | 1640 | 1437 | 31 |
| 3 | 147 | 1640 | 1447 | 25 |
| 4 | 127 | 1640 | 1462 | 19 |
| 5 | 105 | 1640 | 1467 | 13 |
| Total (+5/-10) | | | 7230 | 127 |
| Final stroke reduced by | 0 | Priming Volume | | 24 |
| Cylinder Mass (Kg) | 293 | Total Volume (Litres) | | 151 |
| Maximum Pressure (Bar) | 190 | Max. first stage thrust | | 265 KN |

***TIPPING CAPACITY AT WORKING PRESSURE

| Body Length (BL) | | BODY LENGTH (BL) | | | OH | |
|------------------|-----|------------------|------|-------|-----|-----|
| | | 9250 | 9750 | 10250 | | |
| 33 | 48° | 32 | 45° | 31 | 43° | 150 |
| 35 | 49° | 34 | 47° | 32 | 44° | 450 |
| 38 | 51° | 36 | 48° | 34 | 45° | 750 |

$d = 0; r = 750$; Working Pressure 135 bar
For guidance only;
 Higher working pressures and tipping capacities may be possible.
 To check your application email - applications@edbro.co.uk

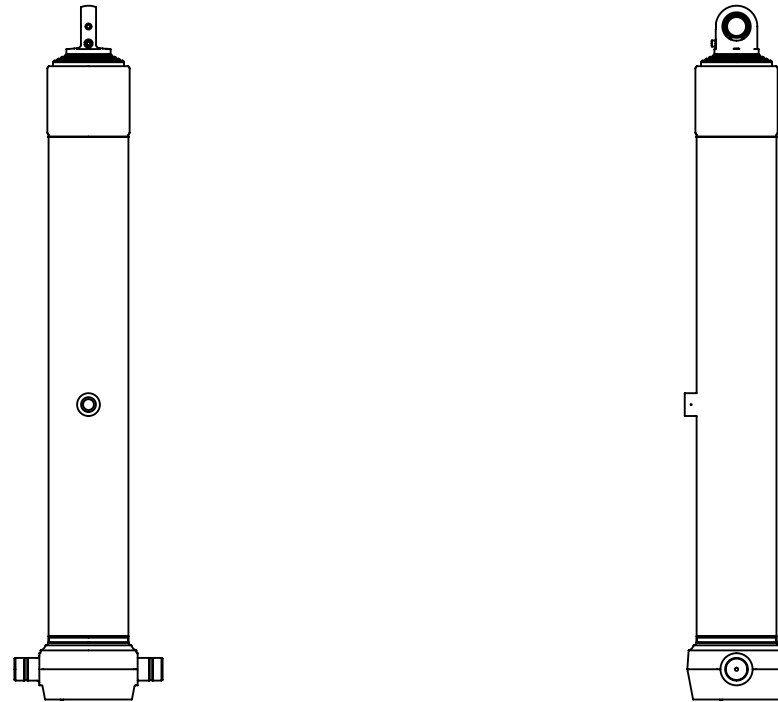
- NOTES**
- This cylinder is for lifting purposes only and side load conditions should be avoided
 - Cylinder is painted in primer paint to RAL5013
 - Refer to www.edbro.com for:-
 - Bracket details
 - Installation instructions that must be observed
 - Correct oil selection
 - An explanation of tipping capacity

*Includes 10mm Pull Out.
 Last Stage Chrome Plated



Edbro plc
 Nelson Street, Bolton, England, BL3 2JJ
 Tel +44 (0) 1204 528888 Fax +44 (0) 1204 531957
 Email: postmaster@edbro.com Web: www.edbro.com

Technical Specifications are subject to change without notice
 Date Created/Updated: 29 August 2012
 Refer www.edbro.com to confirm latest specification
 All dimensions are in 'mm', unless otherwise stated



CS180S57233B70A01