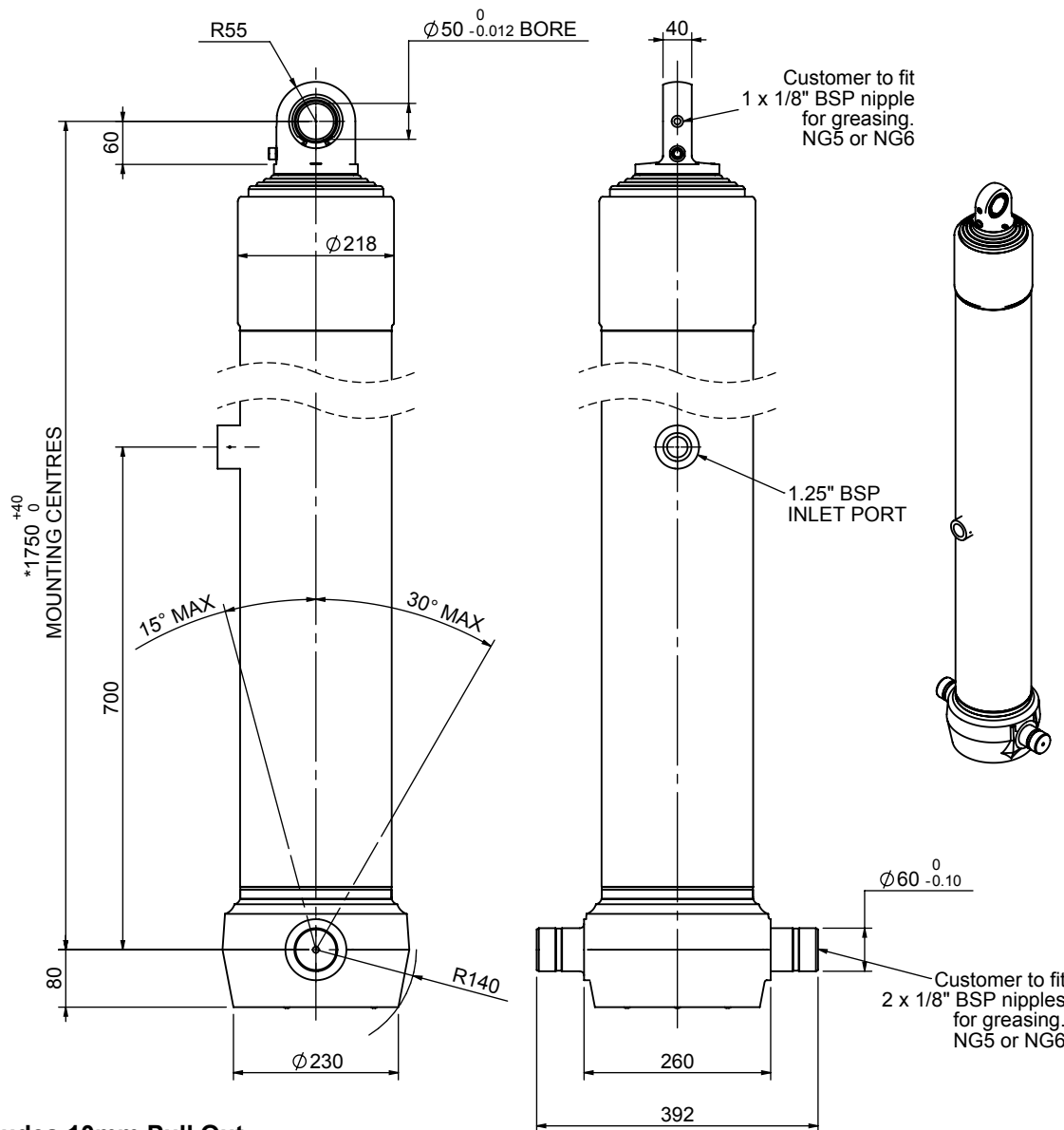


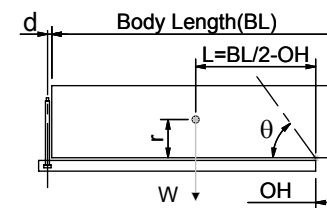
Cylinder 5 stage front end with spherical eye

CS180S57483B70A01



SPECIFICATION		TIPPING CAPACITY : 27-34 TONNES***		
Stage	Diameter	Length	Stroke	Swept Volume
-	-	-	-	-
0	211	1725	-	-
1	188	1690	1467	41
2	167	1690	1487	33
3	147	1690	1497	25
4	127	1690	1512	19
5	105	1690	1517	13
Total (+5/-10)			7480	131
Final stroke reduced by	0	Priming Volume		24
Cylinder Mass (Kg)	300	Total Volume (Litres)		155
Maximum Pressure (Bar)	190	Max. first stage thrust		265 KN

***TIPPING CAPACITY AT WORKING PRESSURE



BODY LENGTH (BL)						OH
9500		10000		10500		
29	48°	28	45°	27	43°	150
31	50°	30	47°	29	44°	450
34	52°	32	49°	31	46°	750

$d = 0$; $r = 750$; Working Pressure 120 bar

For guidance only;

Higher working pressures and tipping capacities may be possible.

To check your application email - applications@edbro.co.uk

NOTES

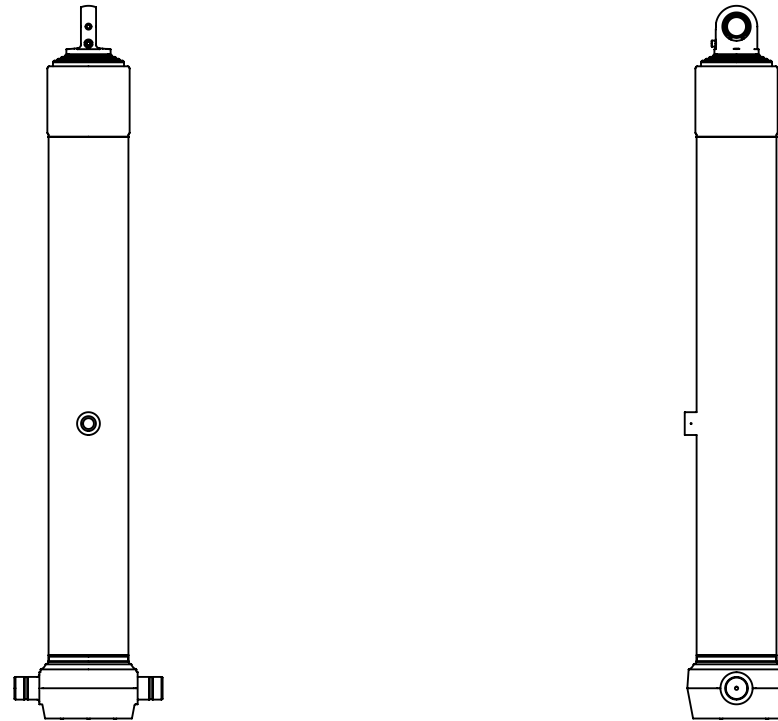
- This cylinder is for lifting purposes only and side load conditions should be avoided
- Cylinder is painted in primer paint to RAL5013
- Refer to www.edbro.com for:-
 - Bracket details
 - Installation instructions that must be observed
 - Correct oil selection
 - An explanation of tipping capacity

*Includes 10mm Pull Out.
Last Stage Chrome Plated

Edbro
SETTING THE INDUSTRY STANDARD

Edbro plc
Nelson Street, Bolton, England, BL3 2JJ
Tel +44 (0) 1204 528888 Fax +44 (0) 1204 531957
Email: postmaster@edbro.com Web: www.edbro.com

Technical Specifications are subject to change without notice
Date Created/Updated: 29 August 2012
Refer www.edbro.com to confirm latest specification
All dimensions are in 'mm', unless otherwise stated



CS180S57483B70A01