

Cylinder 5 stage front end with spherical eye

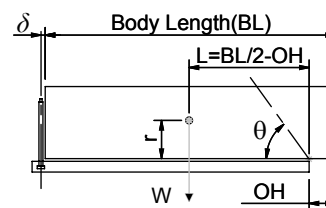
CS180S57633B70A01C

SPECIFICATION **RATED CAPACITY : 35-42 TONNES****

| Stage | Diameter | Length | Stroke | Swept Volume |
|-------------------------|----------|-------------------------|--------|--------------|
| - | - | - | - | - |
| 0 | 211 | 1755 | - | - |
| 1 | 188 | 1720 | 1497 | 42 |
| 2 | 167 | 1720 | 1517 | 33 |
| 3 | 147 | 1720 | 1527 | 26 |
| 4 | 127 | 1720 | 1542 | 20 |
| 5 | 105 | 1720 | 1547 | 13 |
| Final stroke reduced by | 0 | Total (+5-10) | 7630 | 134 |
| Cylinder Mass (Kg) | 305.31 | Priming Volume | 25 | |
| Rated Pressure (Bar) | 135 | Total Volume (Litres) | 159 | |
| Maximum Pressure (Bar) | 175 | Max. first stage thrust | 260 KN | |

****TIPPING CAPACITY AT RATED PRESSURE**

$d = 0 ; r = 900$



| | | BODY LENGTH (BL) | | | OH |
|----|-----|------------------|------|--------|-----|
| | | 9250 | 9750 | 10250 | |
| 35 | 51° | | | | 150 |
| 38 | 52° | 36 | 49° | | 450 |
| 42 | 55° | 39 | 51° | 37 48° | 750 |

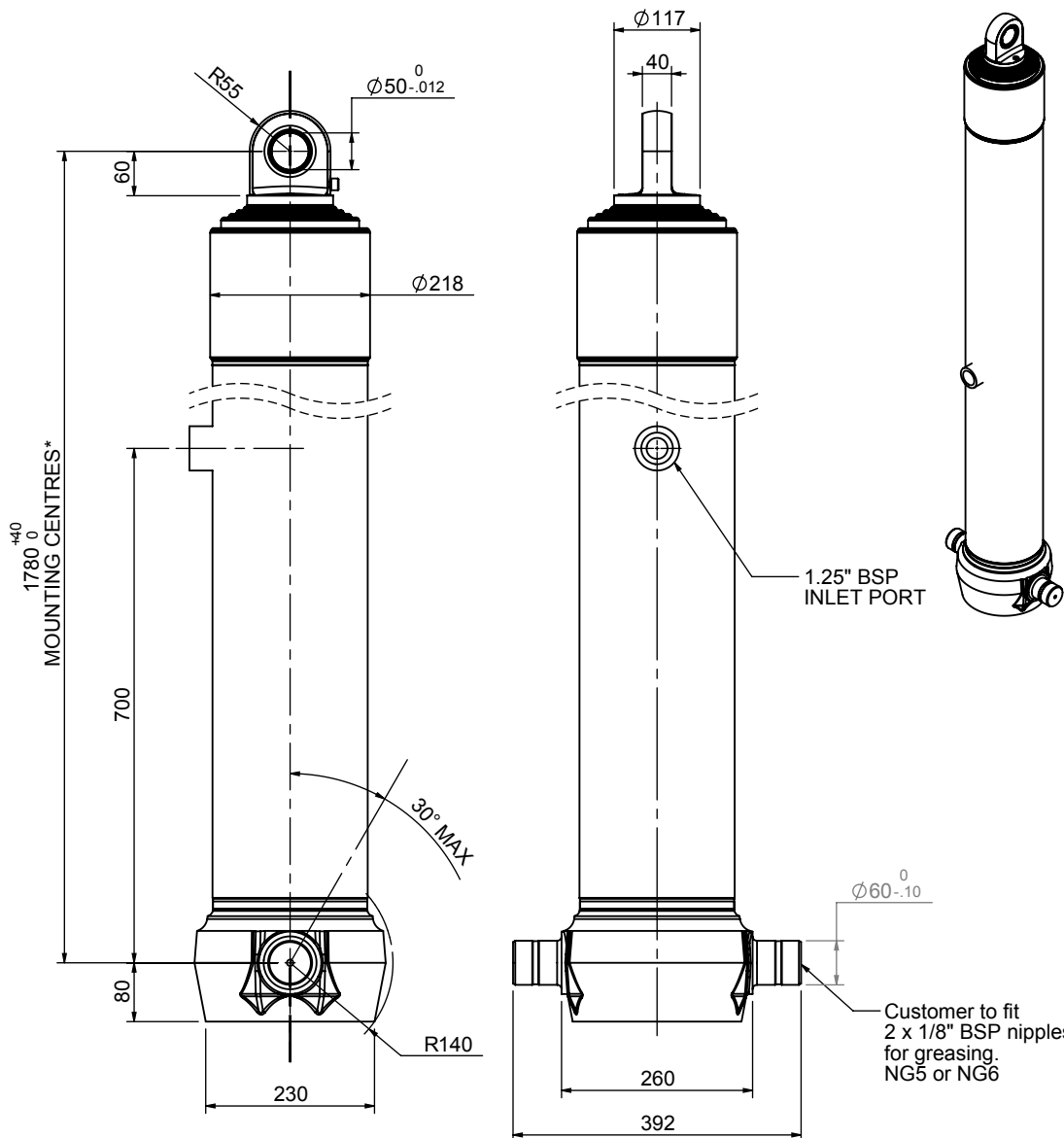
— Tipping angle (θ)
— Body + payload mass, W (tonne)

For guidance only;

Higher Rated Pressures may be possible. To check your application, email Edbro plc at <applications@edbro.co.uk>

NOTES

- If hydraulic pressure is used to limit overloading, the system relief valve must be set to the Rated Pressure unless agreed otherwise by Edbro
- The system relief valve can be set to Maximum Pressure if the load is limited by other means. See RATINGS page for advice
- This cylinder is for lifting purposes only and sload conditions must be avoided
- Cylinder is painted in primer paint to RAL5013
- See bracket options page BRKT01, BRKT02
- See installation instructions INSTALL01
- Use oil according to specification OIL01



*Includes 9mm Pull Out
All Stages Chrome Plated



Edbro plc
Nelson Street, Bolton, Lancashire BL3 2JJ UK
Tel +44 (0) 1204 528888 Fax +44 (0) 1204 531957
Email: postmaster@edbro.com Web: www.edbro.com

Technical Specifications are subject to change without notice
Date Created/Updated: 11 August 2009 16:22:25
Refer www.edbro.com to confirm latest specification
All dimensions are in 'mm', unless otherwise stated