

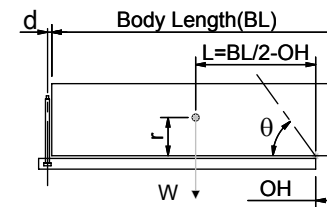
# Cylinder 5 stage front end with spherical eye

CS180S57733B70A01

**SPECIFICATION** **TIPPING CAPACITY : 25-31 TONNES\*\*\***

| Stage                   | Diameter | Length                  | Stroke | Swept Volume |
|-------------------------|----------|-------------------------|--------|--------------|
| -                       | -        | -                       | -      | -            |
| 0                       | 211      | 1775                    | -      | -            |
| 1                       | 188      | 1740                    | 1517   | 42           |
| 2                       | 167      | 1740                    | 1537   | 34           |
| 3                       | 147      | 1740                    | 1547   | 26           |
| 4                       | 127      | 1740                    | 1562   | 20           |
| 5                       | 105      | 1740                    | 1567   | 14           |
| Total (+5/-10)          |          |                         | 7730   | 136          |
| Final stroke reduced by | 0        | Priming Volume          |        | 25           |
| Cylinder Mass (Kg)      | 308      | Total Volume (Litres)   |        | 161          |
| Maximum Pressure (Bar)  | 190      | Max. first stage thrust |        | 265 KN       |

**\*\*\*TIPPING CAPACITY AT WORKING PRESSURE**



| BODY LENGTH (BL) |       |       |     |    | OH  |     |
|------------------|-------|-------|-----|----|-----|-----|
| 9750             | 10250 | 10750 |     |    |     |     |
| 27               | 48°   | 26    | 46° | 25 | 43° | 150 |
| 29               | 50°   | 27    | 47° | 26 | 45° | 450 |
| 31               | 52°   | 29    | 49° | 28 | 46° | 750 |

d = 0; r = 750; Working Pressure 110 bar

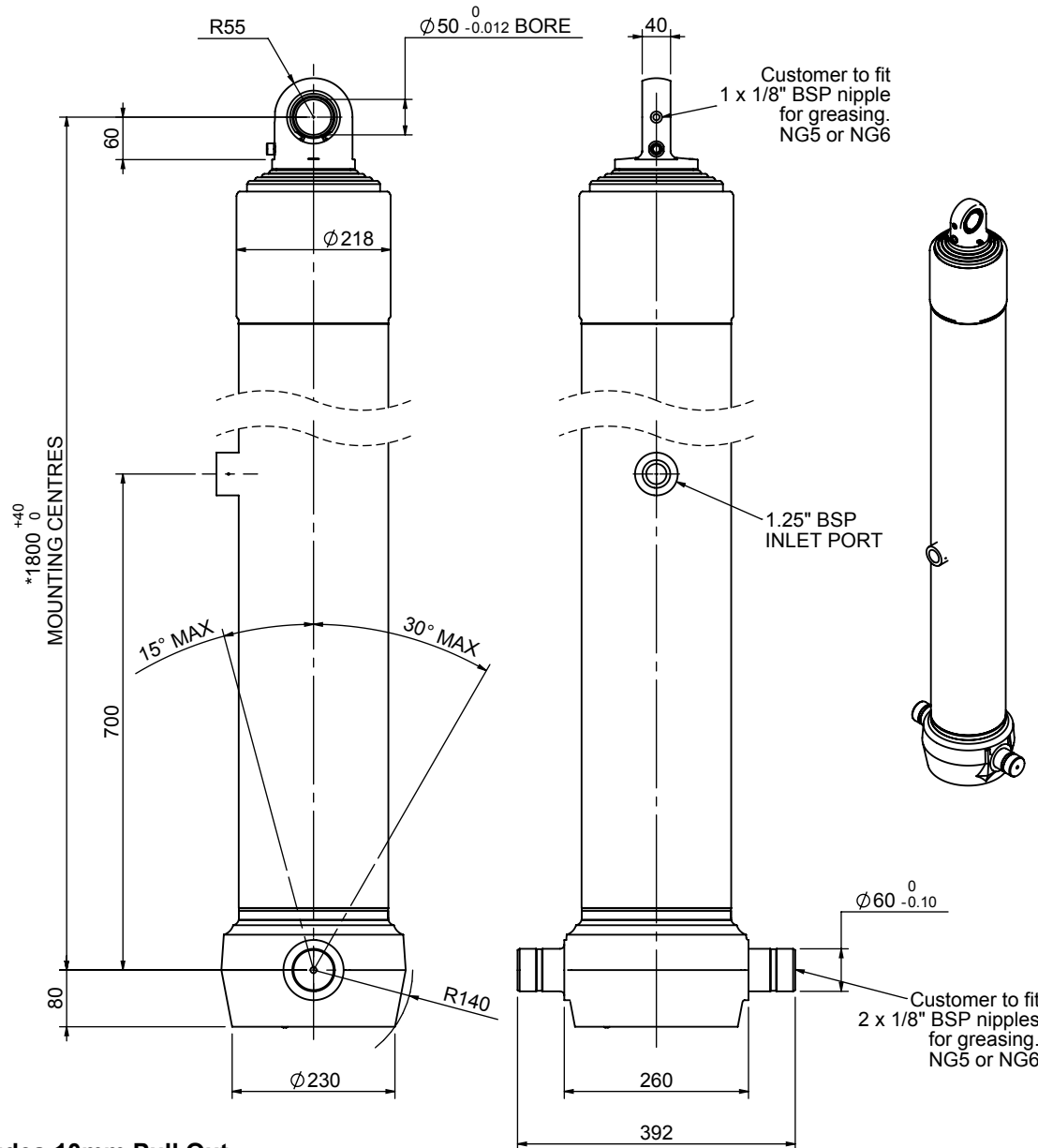
**For guidance only;**

Higher working pressures and tipping capacities may be possible.

To check your application email - [applications@edbro.co.uk](mailto:applications@edbro.co.uk)

**NOTES**

1. This cylinder is for lifting purposes only and side load conditions should be avoided
2. Cylinder is painted in primer paint to RAL5013
3. Refer to [www.edbro.com](http://www.edbro.com) for:-
  - Bracket details
  - Installation instructions that must be observed
  - Correct oil selection
  - An explanation of tipping capacity

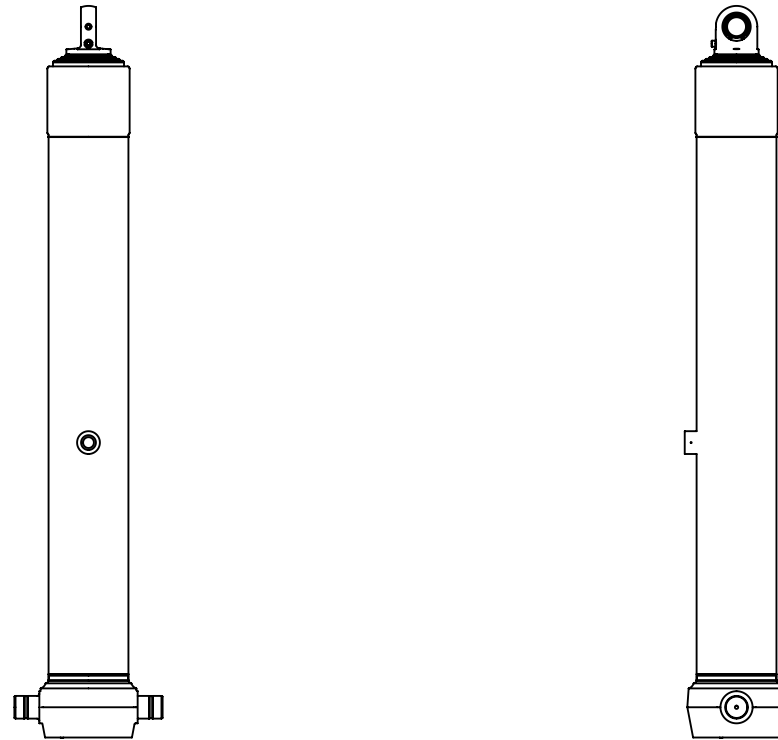


\*Includes 10mm Pull Out.  
Last Stage Chrome Plated



**Edbro plc**  
Nelson Street, Bolton, England, BL3 2JJ  
Tel +44 (0) 1204 528888 Fax +44 (0) 1204 531957  
Email: [postmaster@edbro.com](mailto:postmaster@edbro.com) Web: [www.edbro.com](http://www.edbro.com)

Technical Specifications are subject to change without notice  
Date Created/Updated: 29 August 2012  
Refer [www.edbro.com](http://www.edbro.com) to confirm latest specification  
All dimensions are in 'mm', unless otherwise stated



CS180S57733B70A01