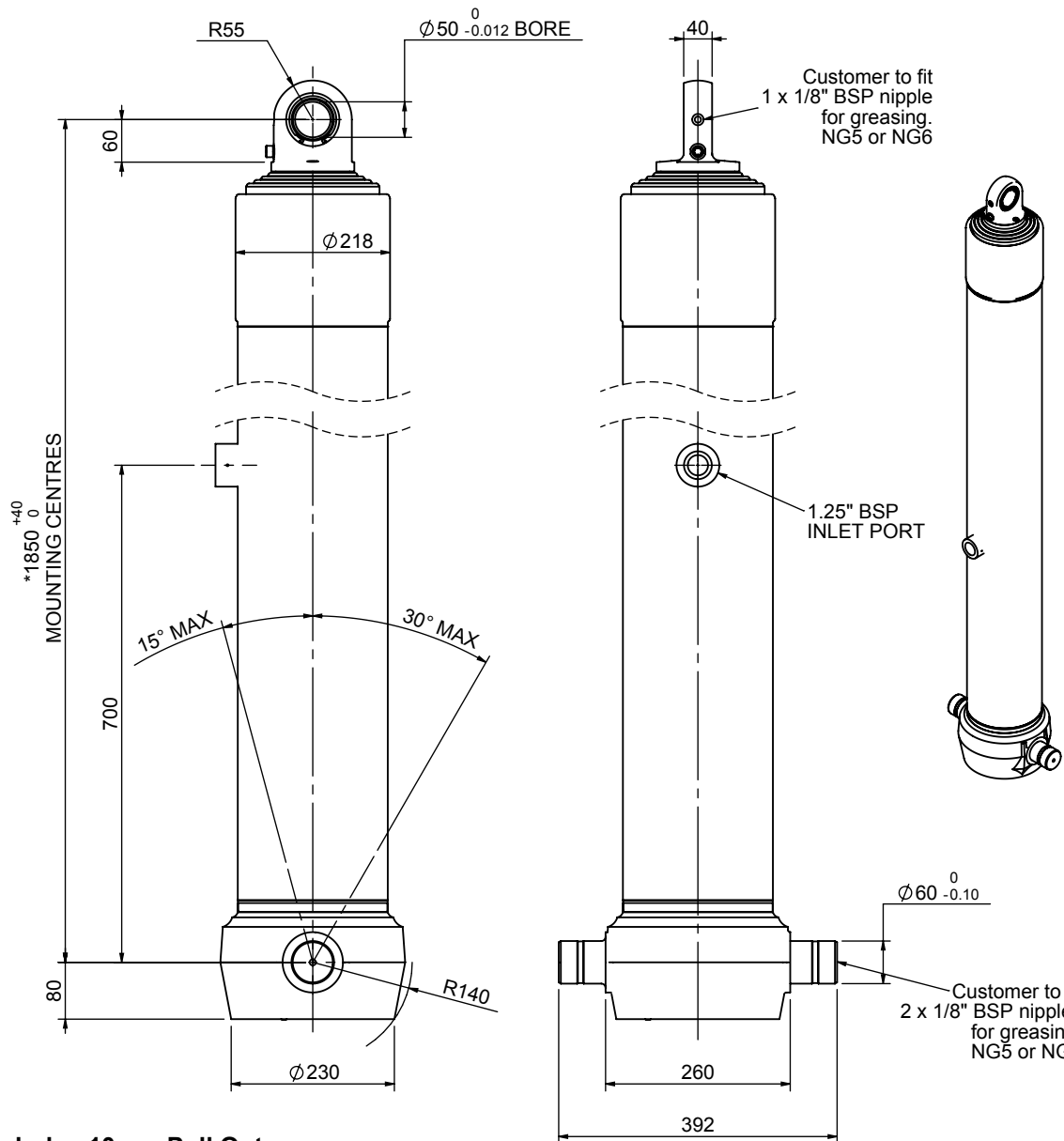


Cylinder 5 stage front end with spherical eye

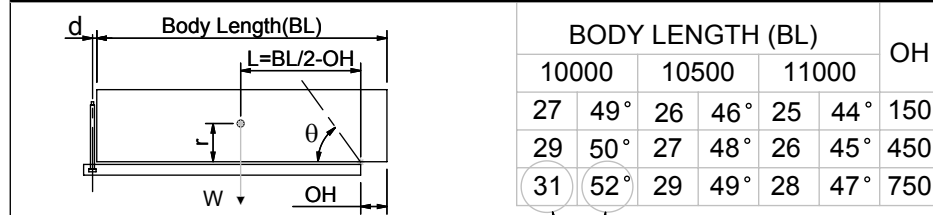
CS180S57983B70A01



SPECIFICATION

SPECIFICATION		TIPPING CAPACITY : 25-31 TONNES***		
Stage	Diameter	Length	Stroke	Swept Volume
-	-	-	-	-
0	211	1825	-	-
1	188	1790	1567	44
2	167	1790	1587	35
3	147	1790	1597	27
4	127	1790	1612	20
5	105	1790	1617	14
		Total (+5/-10)	7980	140
Final stroke reduced by	0	Priming Volume		26
Cylinder Mass (Kg)	315	Total Volume (Litres)		166
Maximum Pressure (Bar)	190	Max. first stage thrust		265 KN

***TIPPING CAPACITY AT WORKING PRESSURE



d = 0; r = 750; Working Pressure 110 bar
For guidance only;
 Higher working pressures and tipping capacities may be possible.
 To check your application email - applications@edbro.co.uk

NOTES

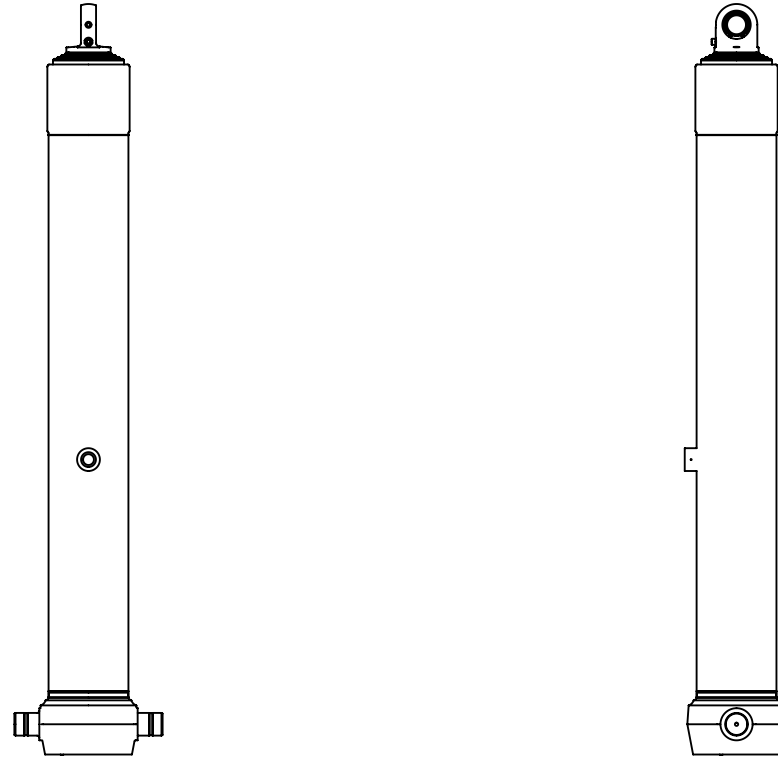
1. This cylinder is for lifting purposes only and side load conditions should be avoided
2. Cylinder is painted in primer paint to RAL5013
3. Refer to www.edbro.com for:-
 - Bracket details
 - Installation instructions that must be observed
 - Correct oil selection
 - An explanation of tipping capacity

*Includes 10mm Pull Out. Last Stage Chrome Plated



Edbro plc
 Nelson Street, Bolton, England, BL3 2JJ
 Tel +44 (0) 1204 528888 Fax +44 (0) 1204 531957
 Email: postmaster@edbro.com Web: www.edbro.com

Technical Specifications are subject to change without notice
 Date Created/Updated: 29 August 2012
 Refer www.edbro.com to confirm latest specification
 All dimensions are in 'mm', unless otherwise stated



CS180S57983B70A01