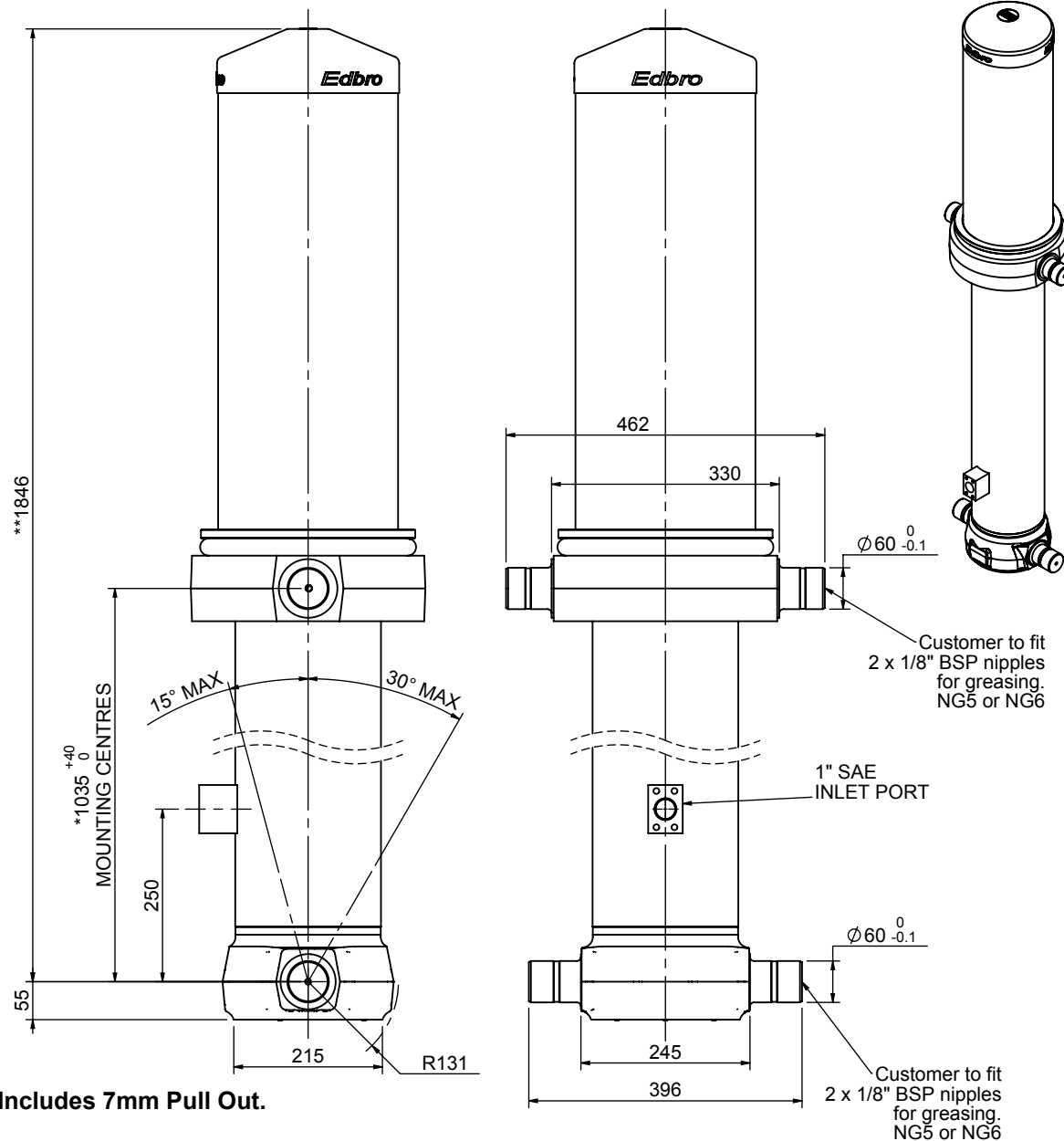


# Cylinder 5 stage front end with outer cover

\*\* ALLOW 50mm TO REMOVE CAP FOR SERVICING

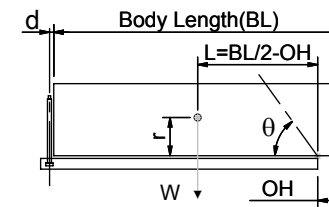


\*Includes 7mm Pull Out.

## CS18L057733S25A15

SPECIFICATION		TIPPING CAPACITY : 34-45 TONNES***		
Stage	Diameter	Length	Stroke	Swept Volume
OUTER COVER	261	775	-	-
0	211	1775	-	-
1	188	1740	1520	42
2	167	1740	1537	34
3	147	1740	1547	26
4	127	1740	1562	20
5	105	1740	1567	14
Total (+5/-10)			7733	136
Final stroke reduced by	0	Priming Volume		25.1
Cylinder Mass (Kg)	350	Total Volume (Litres)		161.1
Maximum Pressure (Bar)	190	Max. first stage thrust		200 KN

### \*\*\*TIPPING CAPACITY AT WORKING PRESSURE



BODY LENGTH (BL)						OH
9000		9500		10000		
37	51°	35	48°	34	46°	150
40	53°	38	50°	36	47°	450
45	55°	41	52°	39	49°	750

$d = 229$ ;  $r = 900$ ; Working Pressure 135 bar

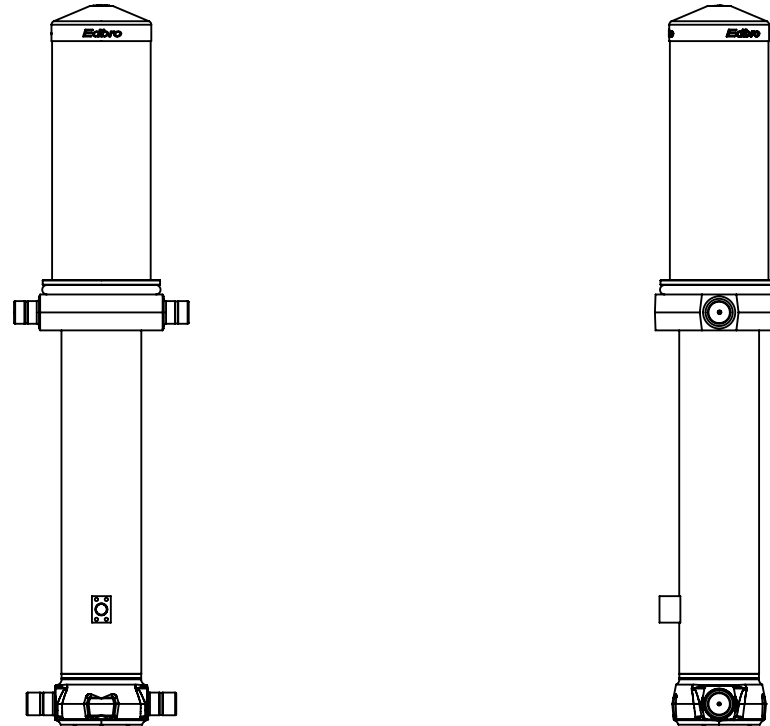
#### For guidance only;

Higher working pressures and tipping capacities may be possible.

To check your application email - [applications@edbro.co.uk](mailto:applications@edbro.co.uk)

#### NOTES

1. This cylinder is for lifting purposes only and side load conditions should be avoided
2. Cylinder is painted in primer paint to RAL5013
3. Refer to [www.edbro.com](http://www.edbro.com) for:-
  - Bracket details
  - Installation instructions that must be observed
  - Correct oil selection
  - An explanation of tipping capacity



CS18L057733S25A15