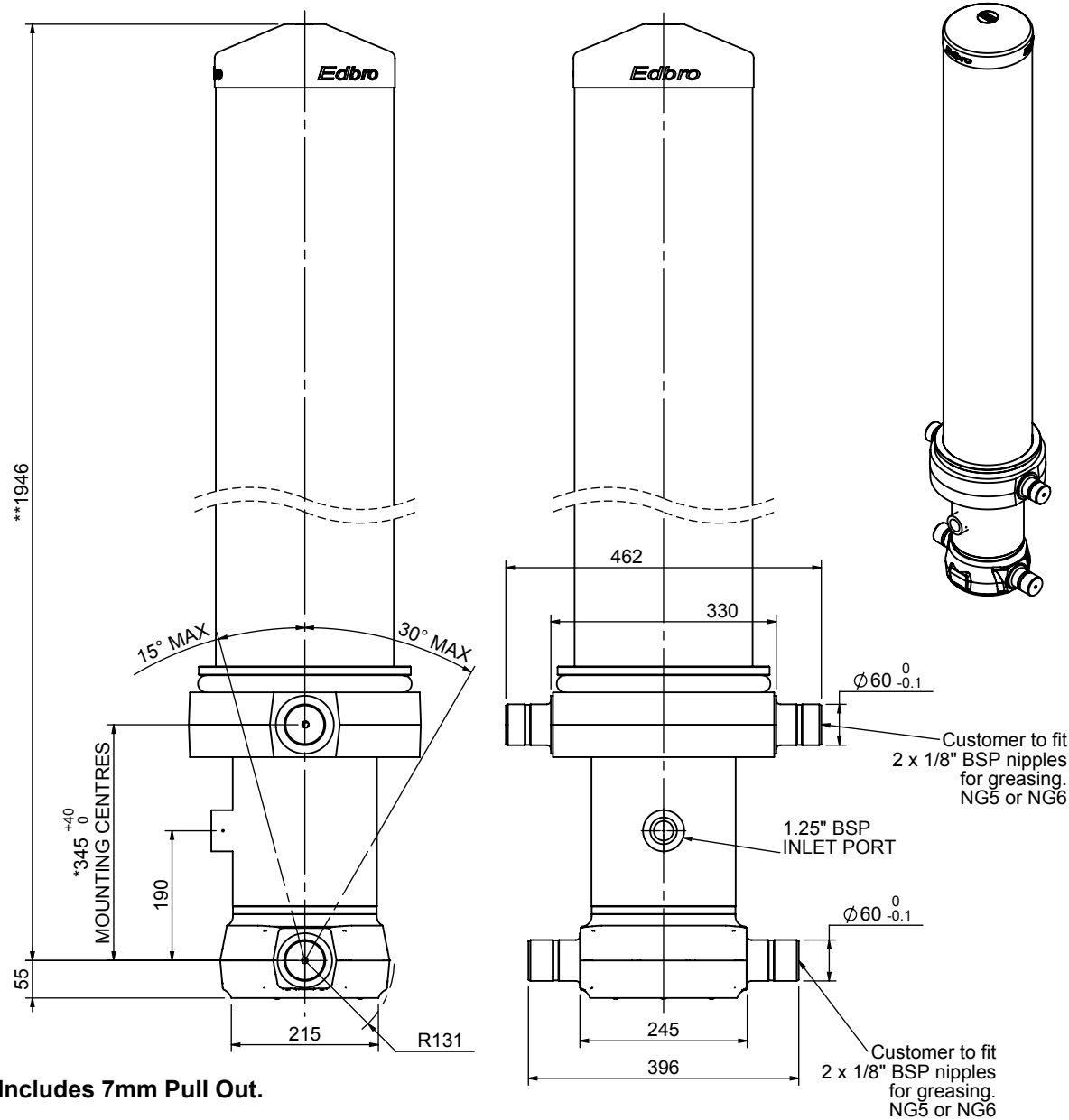


# Cylinder 5 stage front end with outer cover

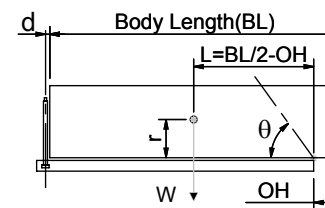
\*\* ALLOW 50mm TO REMOVE CAP FOR SERVICING



CS18L058233B19A11

SPECIFICATION		TIPPING CAPACITY : 34-44 TONNES***		
Stage	Diameter	Length	Stroke	Swept Volume
OUTER COVER	261	1565	-	-
0	211	1875	-	-
1	188	1840	1620	45
2	167	1840	1637	36
3	147	1840	1647	28
4	127	1840	1662	21
5	105	1840	1667	14
Total (+5/-10)			8233	144
Final stroke reduced by	0	Priming Volume		26.7
Cylinder Mass (Kg)	386	Total Volume (Litres)		170.7
Maximum Pressure (Bar)	190	Max. first stage thrust		200 KN

### \*\*\*TIPPING CAPACITY AT WORKING PRESSURE



BODY LENGTH (BL)						OH
9500		10000		10500		
37	51°	35	48°	34	46°	150
40	53°	38	50°	36	47°	450
44	55°	41	52°	39	49°	750

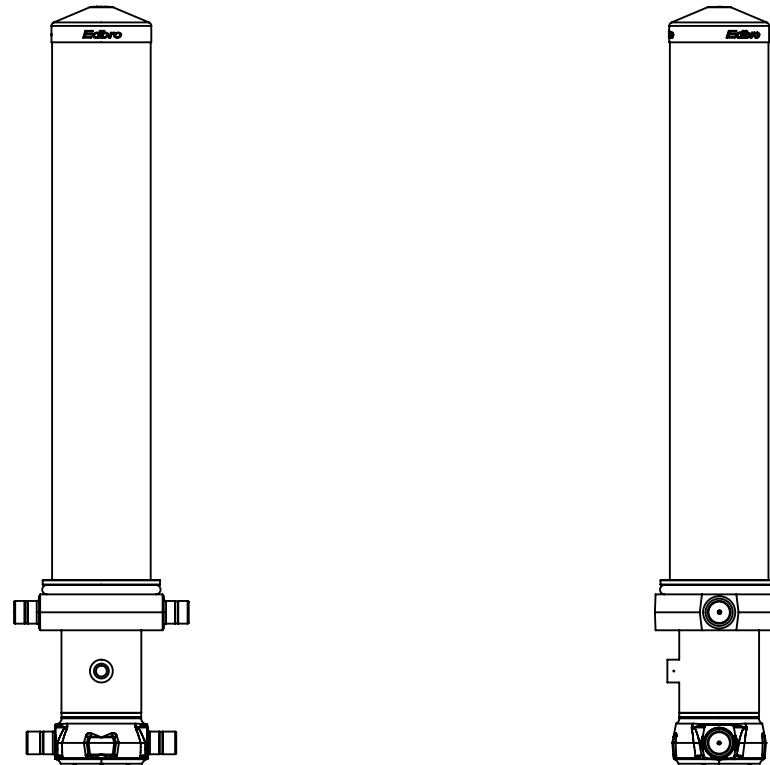
d = 229; r = 900; Working Pressure 135 bar

### For guidance only;

Higher working pressures and tipping capacities may be possible. To check your application email - [applications@edbro.co.uk](mailto:applications@edbro.co.uk)

### NOTES

1. This cylinder is for lifting purposes only and side load conditions should be avoided
2. Cylinder is painted in primer paint to RAL5013
3. Refer to [www.edbro.com](http://www.edbro.com) for:-
  - Bracket details
  - Installation instructions that must be observed
  - Correct oil selection
  - An explanation of tipping capacity



CS18L058233B19A11