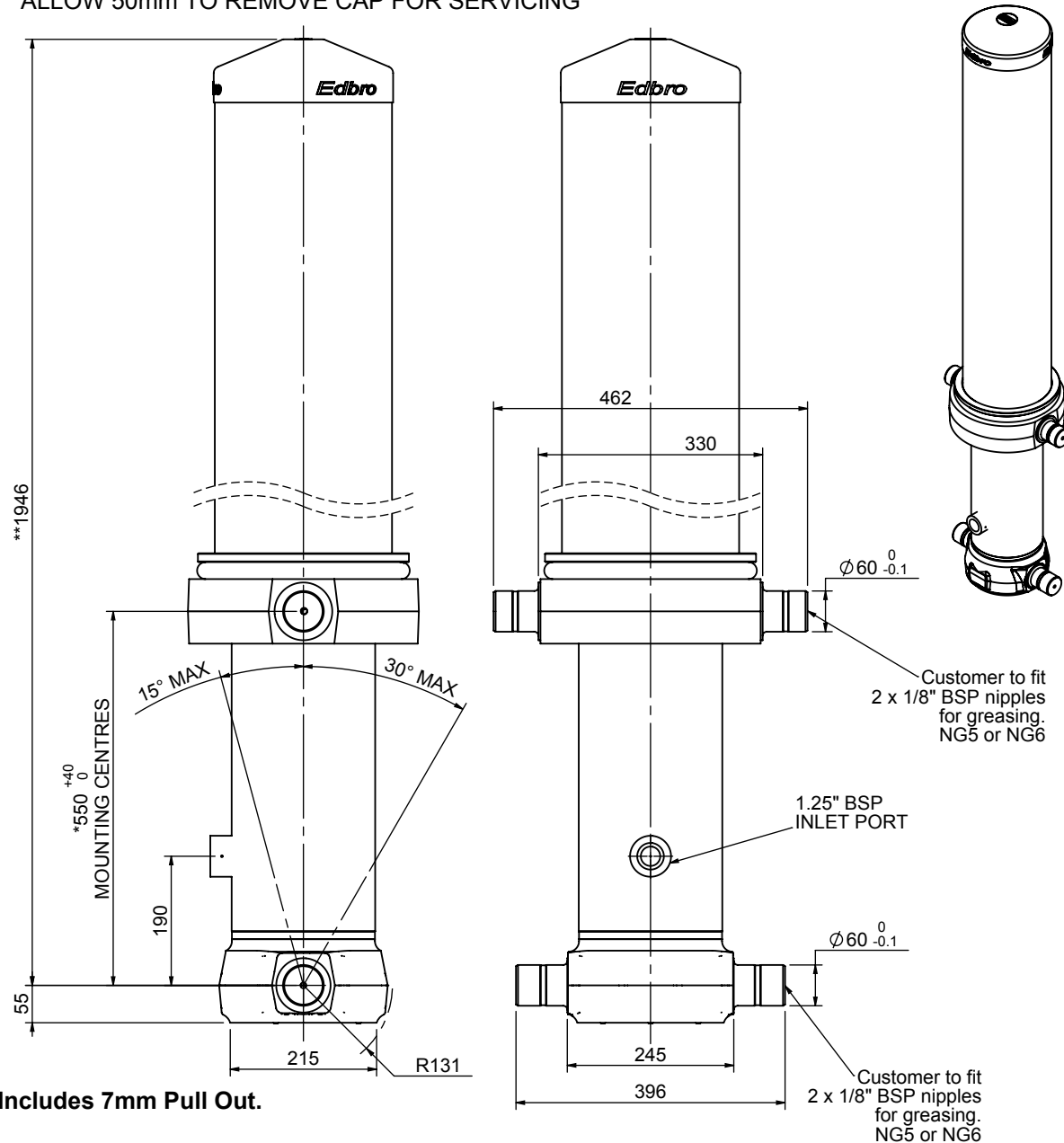


# Cylinder 5 stage front end with outer cover

\*\* ALLOW 50mm TO REMOVE CAP FOR SERVICING

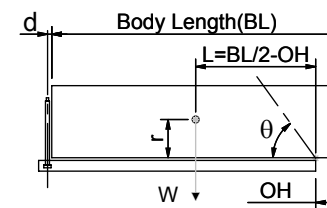


\*Includes 7mm Pull Out.

## CS18L058233B19A12

SPECIFICATION		TIPPING CAPACITY : 31-43 TONNES***		
Stage	Diameter	Length	Stroke	Swept Volume
OUTER COVER	261	1360	-	-
0	211	1875	-	-
1	188	1840	1620	45
2	167	1840	1637	36
3	147	1840	1647	28
4	127	1840	1662	21
5	105	1840	1667	14
Total (+5/-10)			8233	144
Final stroke reduced by	0	Priming Volume		26.7
Cylinder Mass (Kg)	380	Total Volume (Litres)		170.7
Maximum Pressure (Bar)	190	Max. first stage thrust		200 KN

### \*\*\*TIPPING CAPACITY AT WORKING PRESSURE



BODY LENGTH (BL)						OH
9000		9500		10000		
35	54°	33	51°	31	48°	150
39	56°	36	53°	34	50°	450
43	59°	39	55°	36	52°	750

d = 229; r = 900; Working Pressure 120 bar

Tipping angle (θ)

Body + payload mass, W (tonne)

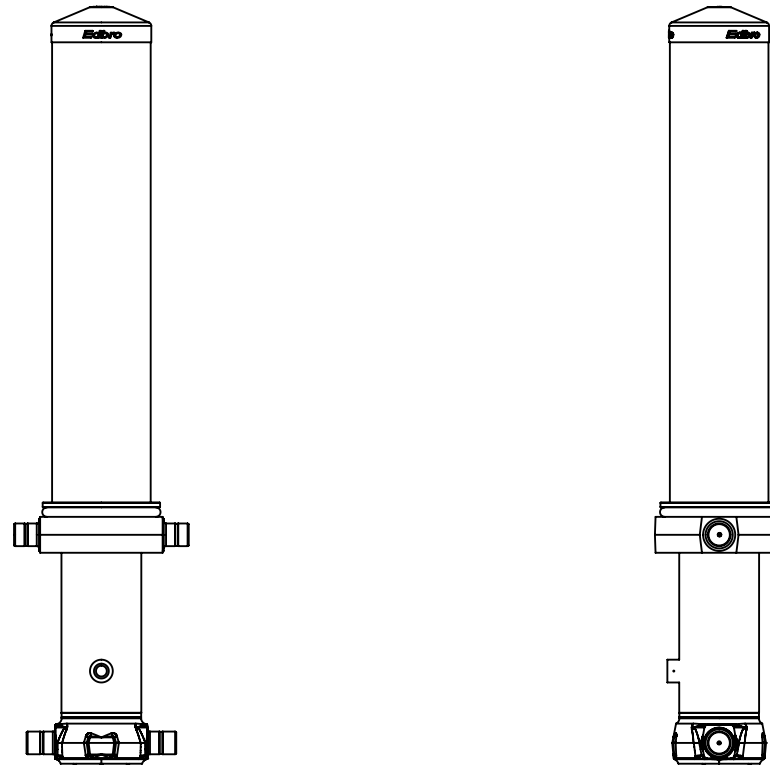
### For guidance only;

Higher working pressures and tipping capacities may be possible.

To check your application email - [applications@edbro.co.uk](mailto:applications@edbro.co.uk)

### NOTES

1. This cylinder is for lifting purposes only and side load conditions should be avoided
2. Cylinder is painted in primer paint to RAL5013
3. Refer to [www.edbro.com](http://www.edbro.com) for;-
  - Bracket details
  - Installation instructions that must be observed
  - Correct oil selection
  - An explanation of tipping capacity



CS18L058233B19A12