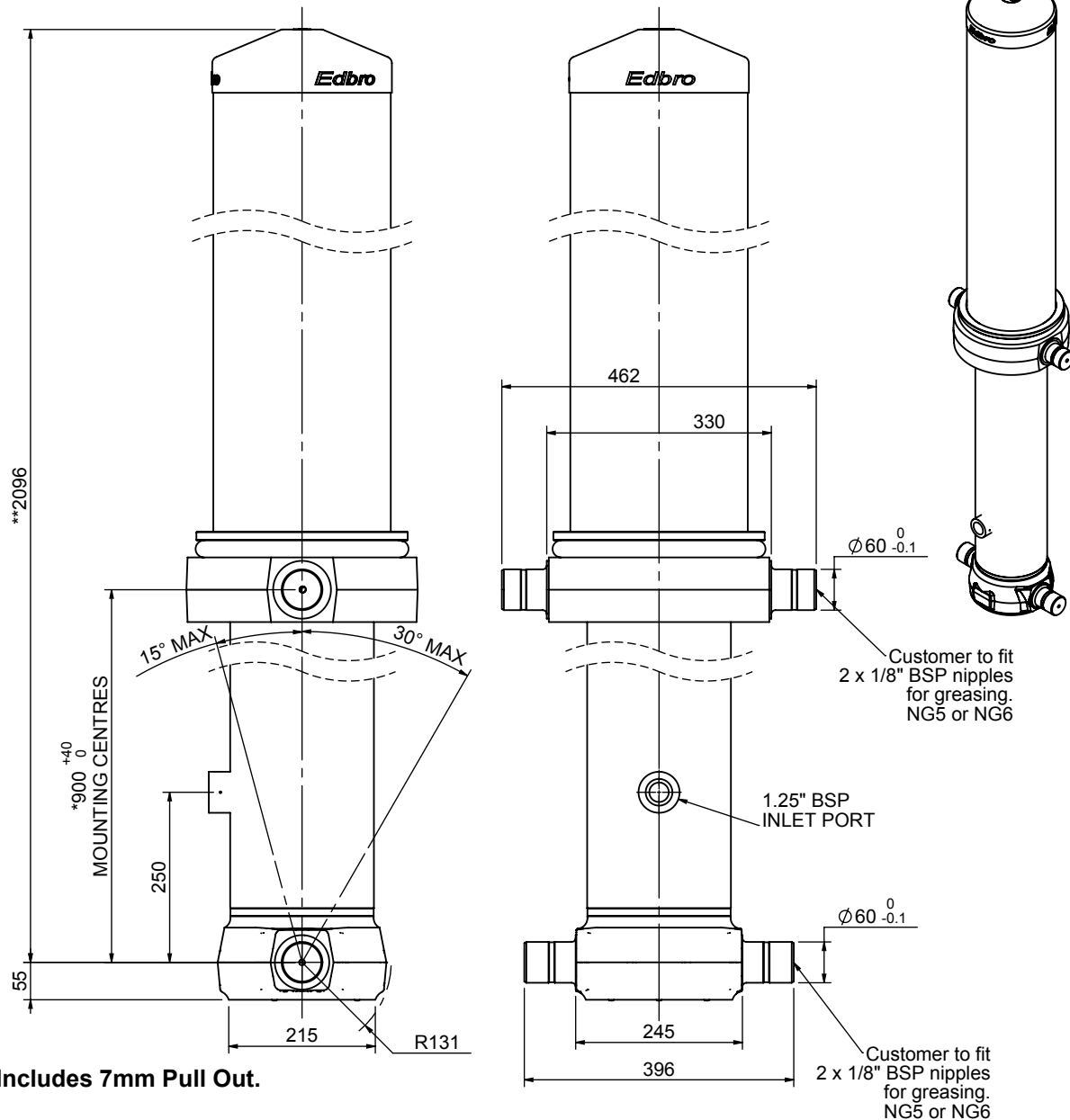


Cylinder 5 stage front end with outer cover

** ALLOW 50mm TO REMOVE CAP FOR SERVICING

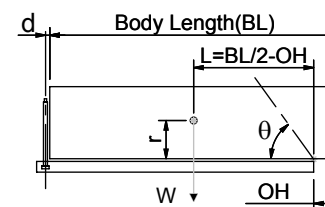


*Includes 7mm Pull Out.

CS18L058983B25A14

SPECIFICATION		TIPPING CAPACITY : 33-41 TONNES***		
Stage	Diameter	Length	Stroke	Swept Volume
OUTER COVER	261	1160	-	-
0	211	2025	-	-
1	188	1990	1770	49
2	167	1990	1787	39
3	147	1990	1797	31
4	127	1990	1812	23
5	105	1990	1817	16
Total (+5/-10)			8983	158
Final stroke reduced by	0	Priming Volume		29.1
Cylinder Mass (Kg)	397	Total Volume (Litres)		187.1
Maximum Pressure (Bar)	190	Max. first stage thrust		200 KN

***TIPPING CAPACITY AT WORKING PRESSURE



BODY LENGTH (BL)						OH
10500		11000		11500		
36	51°	34	48°	33	46°	150
38	52°	36	50°	35	47°	450
41	54°	39	51°	37	49°	750

$d = 229$; $r = 900$; Working Pressure 135 bar

Tipping angle (θ)

Body + payload mass, W (tonne)

For guidance only;

Higher working pressures and tipping capacities may be possible.

To check your application email - applications@edbro.co.uk

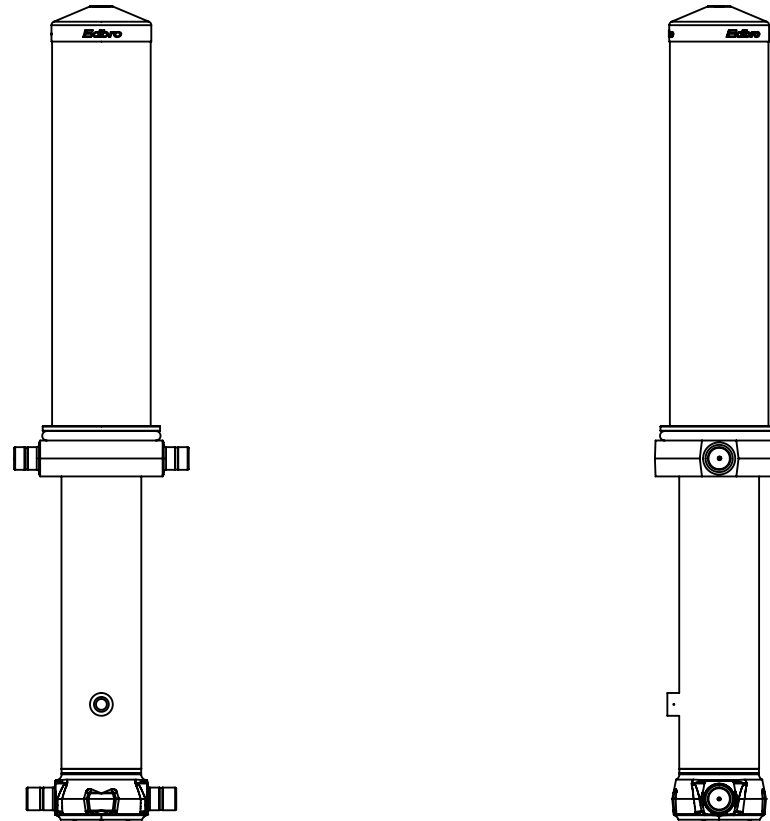
NOTES

1. This cylinder is for lifting purposes only and side load conditions should be avoided
2. Cylinder is painted in primer paint to RAL5013
3. Refer to www.edbro.com for;-
 - Bracket details
 - Installation instructions that must be observed
 - Correct oil selection
 - An explanation of tipping capacity

Edbro
SETTING THE INDUSTRY STANDARD

Edbro plc
Nelson Street, Bolton, England, BL3 2JJ
Tel +44 (0) 1204 528888 Fax +44 (0) 1204 531957
Email: postmaster@edbro.com Web: www.edbro.com

Technical Specifications are subject to change without notice
Date Created/Updated: 14 November 2014
Refer www.edbro.com to confirm latest specification
All dimensions are in 'mm', unless otherwise stated



CS18L058983B25A14