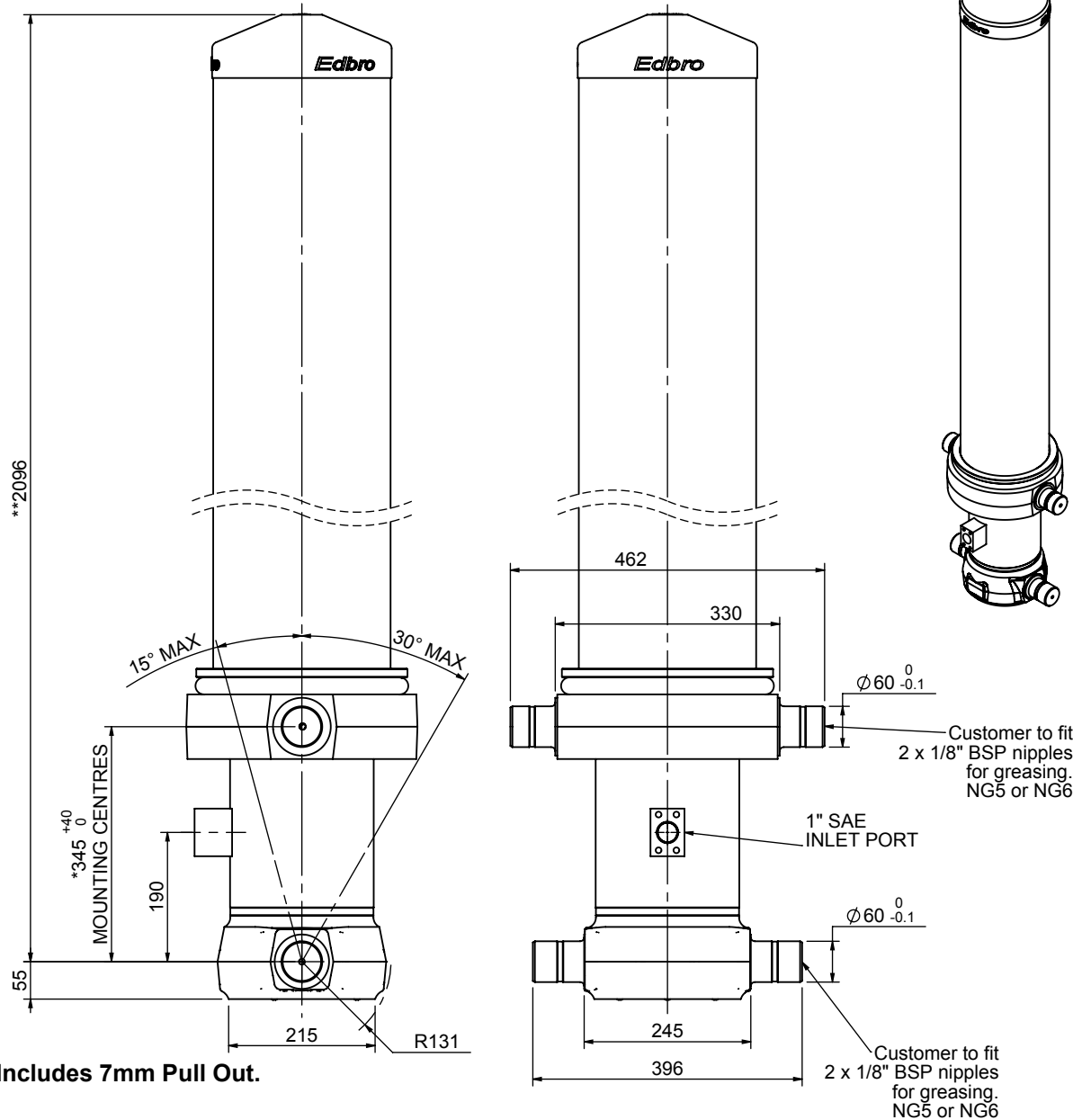


Cylinder 5 stage front end with outer cover

** ALLOW 50mm TO REMOVE CAP FOR SERVICING

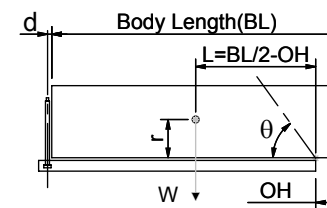


*Includes 7mm Pull Out.

CS18L058983S19A11

SPECIFICATION		TIPPING CAPACITY : 34-43 TONNES***		
Stage	Diameter	Length	Stroke	Swept Volume
OUTER COVER	261	1715	-	-
0	211	2025	-	-
1	188	1990	1770	49
2	167	1990	1787	39
3	147	1990	1797	31
4	127	1990	1812	23
5	105	1990	1817	16
Total (+5/-10)			8983	158
Final stroke reduced by	0	Priming Volume		29.1
Cylinder Mass (Kg)	413	Total Volume (Litres)		187.1
Maximum Pressure (Bar)	190	Max. first stage thrust		200 KN

***TIPPING CAPACITY AT WORKING PRESSURE



BODY LENGTH (BL)						OH
10250		10750		11250		
37	52°	35	49°	34	47°	150
40	53°	37	51°	36	48°	450
43	55°	40	52°	38	50°	750

d = 229; r = 900; Working Pressure 135 bar

For guidance only;

Higher working pressures and tipping capacities may be possible.
To check your application email - applications@edbro.co.uk

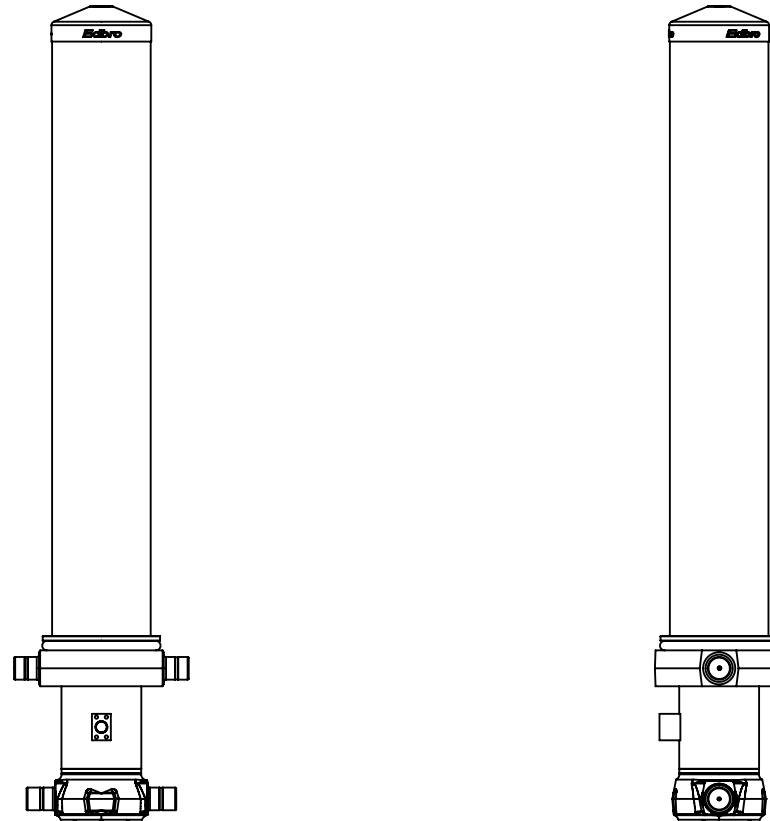
NOTES

1. This cylinder is for lifting purposes only and side load conditions should be avoided
2. Cylinder is painted in primer paint to RAL5013
3. Refer to www.edbro.com for;-
 - Bracket details
 - Installation instructions that must be observed
 - Correct oil selection
 - An explanation of tipping capacity

Edbro
SETTING THE INDUSTRY STANDARD

Edbro plc
Nelson Street, Bolton, England, BL3 2JJ
Tel +44 (0) 1204 528888 Fax +44 (0) 1204 531957
Email: postmaster@edbro.com Web: www.edbro.com

Technical Specifications are subject to change without notice
Date Created/Updated: 14 November 2014
Refer www.edbro.com to confirm latest specification
All dimensions are in 'mm', unless otherwise stated



CS18L058983S19A11