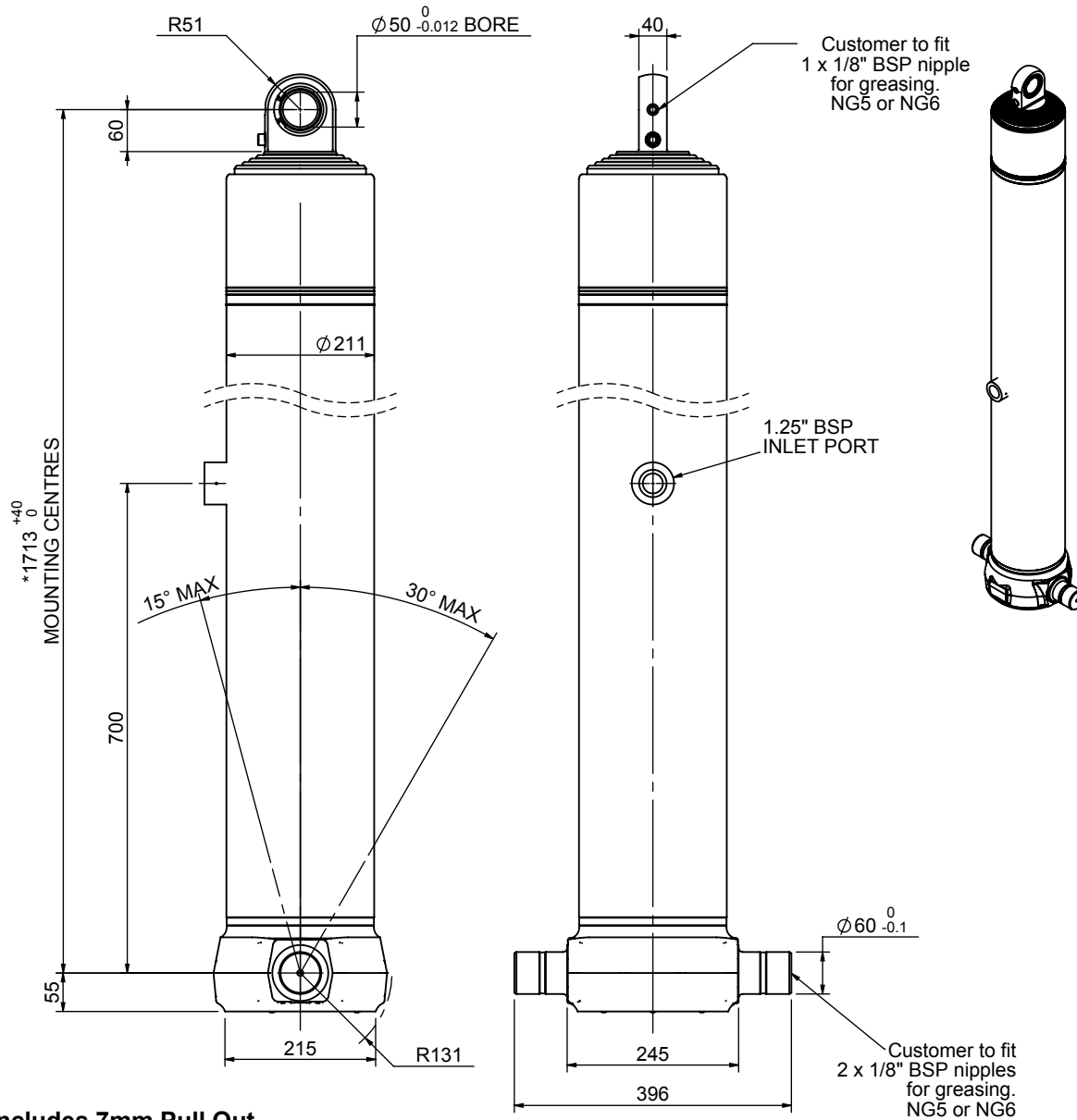


# Cylinder 5 stage front end with spherical eye

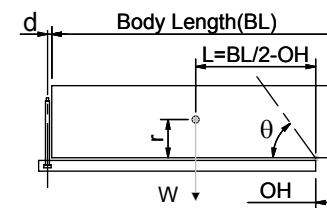
CS18LS57233B70A02



## SPECIFICATION

SPECIFICATION		TIPPING CAPACITY : 31-40 TONNES***		
Stage	Diameter	Length	Stroke	Swept Volume
-	-	-	-	-
0	211	1675	-	-
1	188	1640	1420	39
2	167	1640	1437	31
3	147	1640	1447	25
4	127	1640	1462	19
5	105	1640	1467	13
Total (+5/-10)			7233	127
Final stroke reduced by	0	Priming Volume		23.5
Cylinder Mass (Kg)	277	Total Volume (Litres)		150.5
Maximum Pressure (Bar)	190	Max. first stage thrust		200 KN

## \*\*\*TIPPING CAPACITY AT WORKING PRESSURE



BODY LENGTH (BL)						OH
9250		9750		10250		
34	48°	32	45°	31	43°	150
37	49°	35	47°	33	44°	450
40	51°	37	48°	35	45°	750

d = 0; r = 900; Working Pressure 135 bar

### For guidance only;

Higher working pressures and tipping capacities may be possible.  
To check your application email - [applications@edbro.co.uk](mailto:applications@edbro.co.uk)

## NOTES

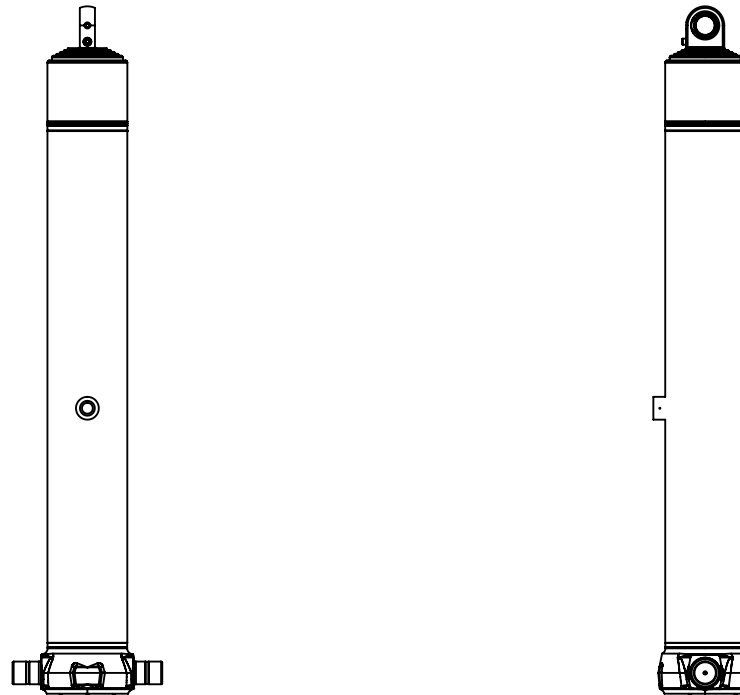
- This cylinder is for lifting purposes only and side load conditions should be avoided
- Cylinder is painted in primer paint to RAL5013
- Refer to [www.edbro.com](http://www.edbro.com) for:-
  - Bracket details
  - Installation instructions that must be observed
  - Correct oil selection
  - An explanation of tipping capacity

\*Includes 7mm Pull Out.  
Last Stage Chrome Plated

**Edbro**  
SETTING THE INDUSTRY STANDARD

**Edbro plc**  
Nelson Street, Bolton, England, BL3 2JJ  
Tel +44 (0) 1204 528888 Fax +44 (0) 1204 531957  
Email: [postmaster@edbro.com](mailto:postmaster@edbro.com) Web: [www.edbro.com](http://www.edbro.com)

Technical Specifications are subject to change without notice  
Date Created/Updated: 09 March 2015  
Refer [www.edbro.com](http://www.edbro.com) to confirm latest specification  
All dimensions are in 'mm', unless otherwise stated



CS18LS57233B70A02