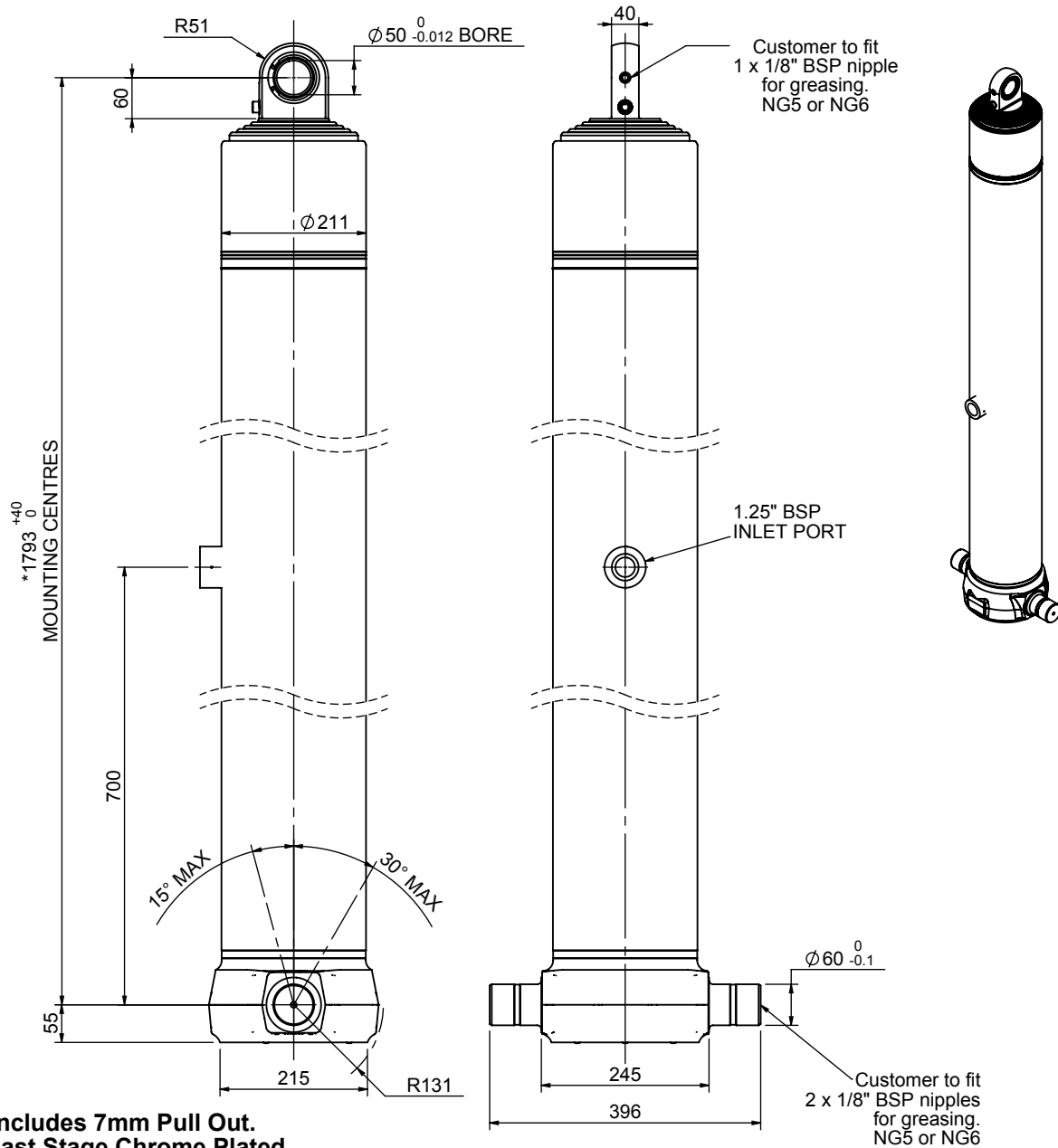


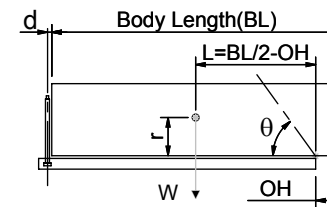
Cylinder 5 stage front end with spherical eye

CS18LS57633B70A02



SPECIFICATION		TIPPING CAPACITY : 29-37 TONNES***		
Stage	Diameter	Length	Stroke	Swept Volume
-	-	-	-	-
0	211	1755	-	-
1	188	1720	1500	42
2	167	1720	1517	33
3	147	1720	1527	26
4	127	1720	1542	20
5	105	1720	1547	13
Total (+5/-10)			7633	134
Final stroke reduced by	0	Priming Volume		24.8
Cylinder Mass (Kg)	289	Total Volume (Litres)		158.8
Maximum Pressure (Bar)	190	Max. first stage thrust		200 KN

***TIPPING CAPACITY AT WORKING PRESSURE



BODY LENGTH (BL)						OH
9250		9750		10250		
31	51°	30	48°	29	45°	150
34	53°	32	49°	30	47°	450
37	55°	35	51°	33	48°	750

d = 0; r = 750; Working Pressure 120 bar

Tipping angle (θ)
Body + payload mass, W (tonne)

For guidance only;

Higher working pressures and tipping capacities may be possible.
To check your application email - applications@edbro.co.uk

NOTES

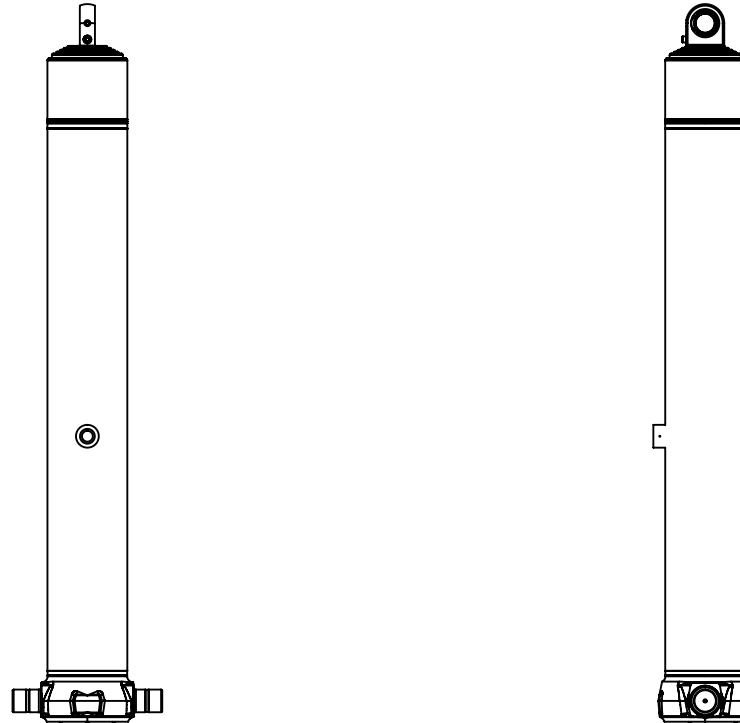
1. This cylinder is for lifting purposes only and side load conditions should be avoided
2. Cylinder is painted in primer paint to RAL5013
3. Refer to www.edbro.com for:-
 - Bracket details
 - Installation instructions that must be observed
 - Correct oil selection
 - An explanation of tipping capacity

*Includes 7mm Pull Out.
Last Stage Chrome Plated



Edbro plc
Nelson Street, Bolton, England, BL3 2JJ
Tel +44 (0) 1204 528888 Fax +44 (0) 1204 531957
Email: postmaster@edbro.com Web: www.edbro.com

Technical Specifications are subject to change without notice
Date Created/Updated: 14 November 2014
Refer www.edbro.com to confirm latest specification
All dimensions are in 'mm', unless otherwise stated



CS18LS57633B70A02