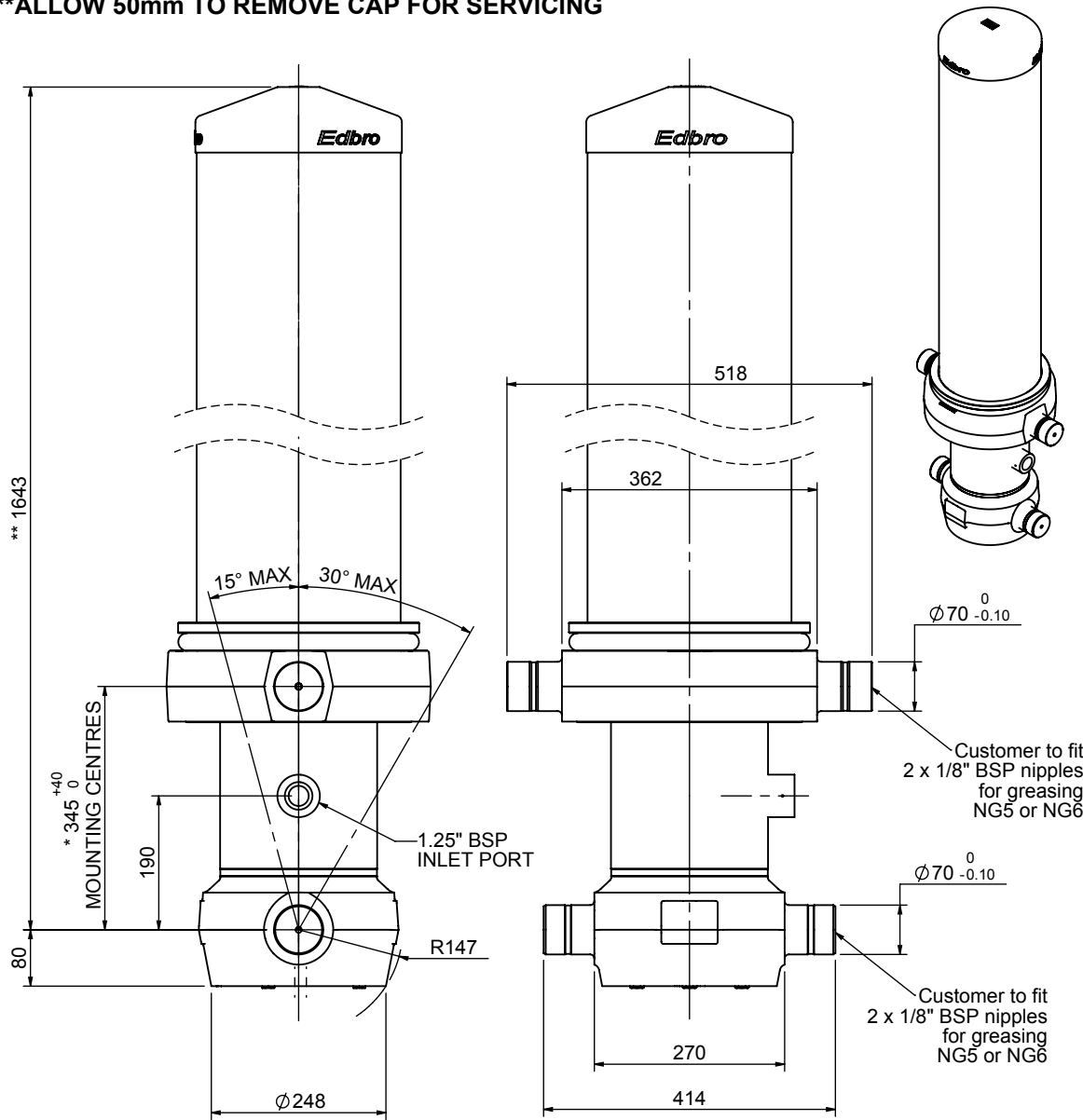


Cylinder 5 stage front end with outer cover

****ALLOW 50mm TO REMOVE CAP FOR SERVICING**

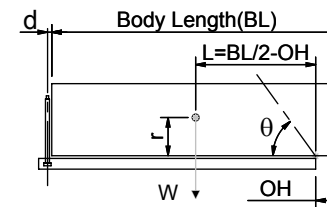


***Includes 11mm Pull Out. All Stages Chrome Plated**

CS190056678N19A11C

SPECIFICATION		TIPPING CAPACITY : 54-76 TONNES***		
Stage	Diameter	Length	Stroke	Swept Volume
OUTER COVER	289	1235	-	-
0	223	1578	-	-
1	198	1540	1303	40
2	176	1540	1327	32
3	155	1540	1337	25
4	136	1540	1347	20
5	117	1540	1362	15
Total (+5/-10)			6676	132
Final stroke reduced by	0	Priming Volume		26
Cylinder Mass (Kg)	384	Total Volume (Litres)		158
Maximum Pressure (Bar)	190	Max. first stage thrust		350 KN

***TIPPING CAPACITY AT WORKING PRESSURE



BODY LENGTH (BL)						OH
8000	8500	9000				
61	49°	57	46°	54	43°	150
67	51°	62	48°	59	45°	450
76	53°	69	50°	64	47°	750

$d = 229$; $r = 900$; Working Pressure 175 bar

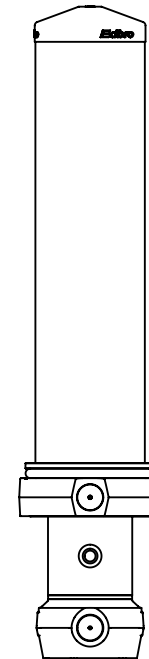
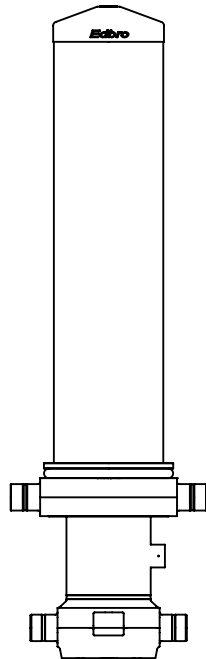
For guidance only;

Higher working pressures and tipping capacities may be possible.

To check your application email - applications@edbro.co.uk

NOTES

1. This cylinder is for lifting purposes only and side load conditions should be avoided
2. Cylinder is painted in primer paint to RAL5013
3. Refer to www.edbro.com for:-
 - Bracket details
 - Installation instructions that must be observed
 - Correct oil selection
 - An explanation of tipping capacity



CS190056678N19A11C