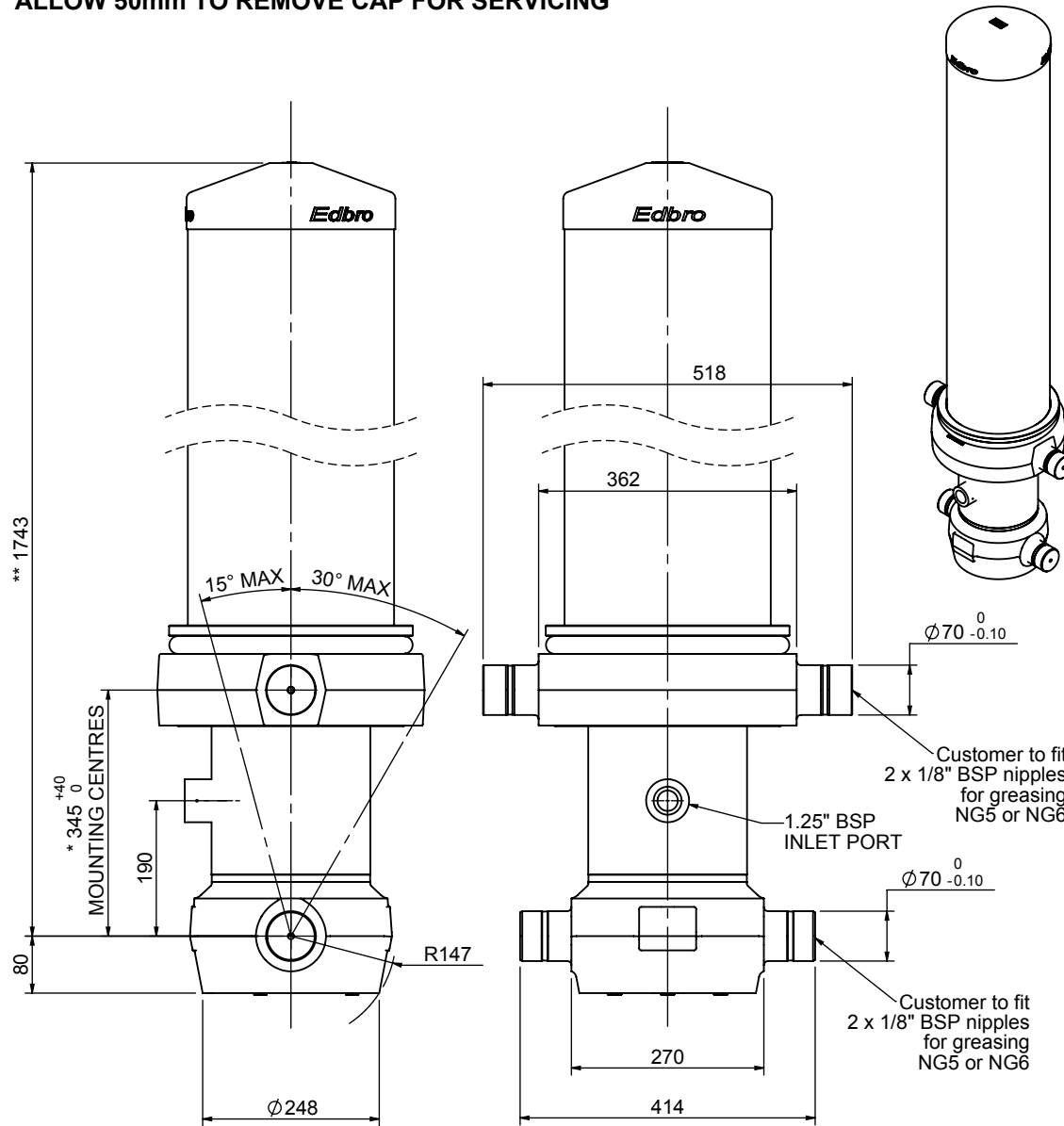


# Cylinder 5 stage front end with outer cover

**\*\*ALLOW 50mm TO REMOVE CAP FOR SERVICING**

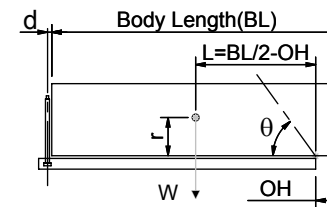


\*Includes 11mm Pull Out.

# CS190057178B19A11

SPECIFICATION		TIPPING CAPACITY : 54-74 TONNES***		
Stage	Diameter	Length	Stroke	Swept Volume
OUTER COVER	289	1335	-	-
0	223	1678	-	-
1	198	1640	1403	43
2	176	1640	1427	35
3	155	1640	1437	27
4	136	1640	1447	21
5	117	1640	1462	16
Total (+5/-10)			7176	142
Final stroke reduced by	0	Priming Volume		28
Cylinder Mass (Kg)	403	Total Volume (Litres)		170
Maximum Pressure (Bar)	190	Max. first stage thrust		350 KN

### \*\*\*TIPPING CAPACITY AT WORKING PRESSURE



BODY LENGTH (BL)						OH
8500		9000		9500		
60	50°	57	47°	54	44°	150
66	52°	62	48°	58	45°	450
74	54°	67	50°	63	47°	750

d = 229; r = 900; Working Pressure 175 bar

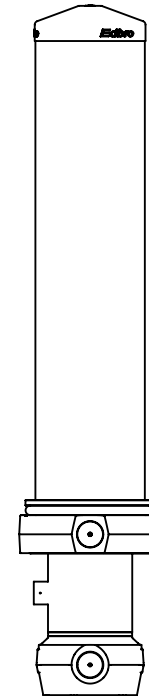
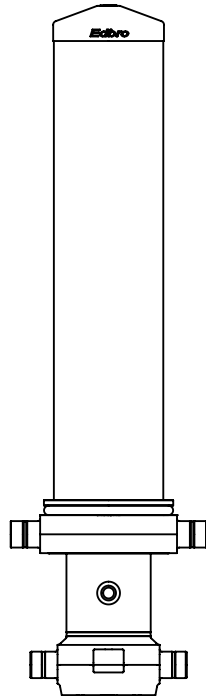
Tipping angle (θ)  
Body + payload mass, W (tonne)

### For guidance only;

Higher working pressures and tipping capacities may be possible.  
To check your application email - [applications@edbro.co.uk](mailto:applications@edbro.co.uk)

### NOTES

1. This cylinder is for lifting purposes only and side load conditions should be avoided
2. Cylinder is painted in primer paint to RAL5013
3. Refer to [www.edbro.com](http://www.edbro.com) for:-
  - Bracket details
  - Installation instructions that must be observed
  - Correct oil selection
  - An explanation of tipping capacity



CS190057178B19A11