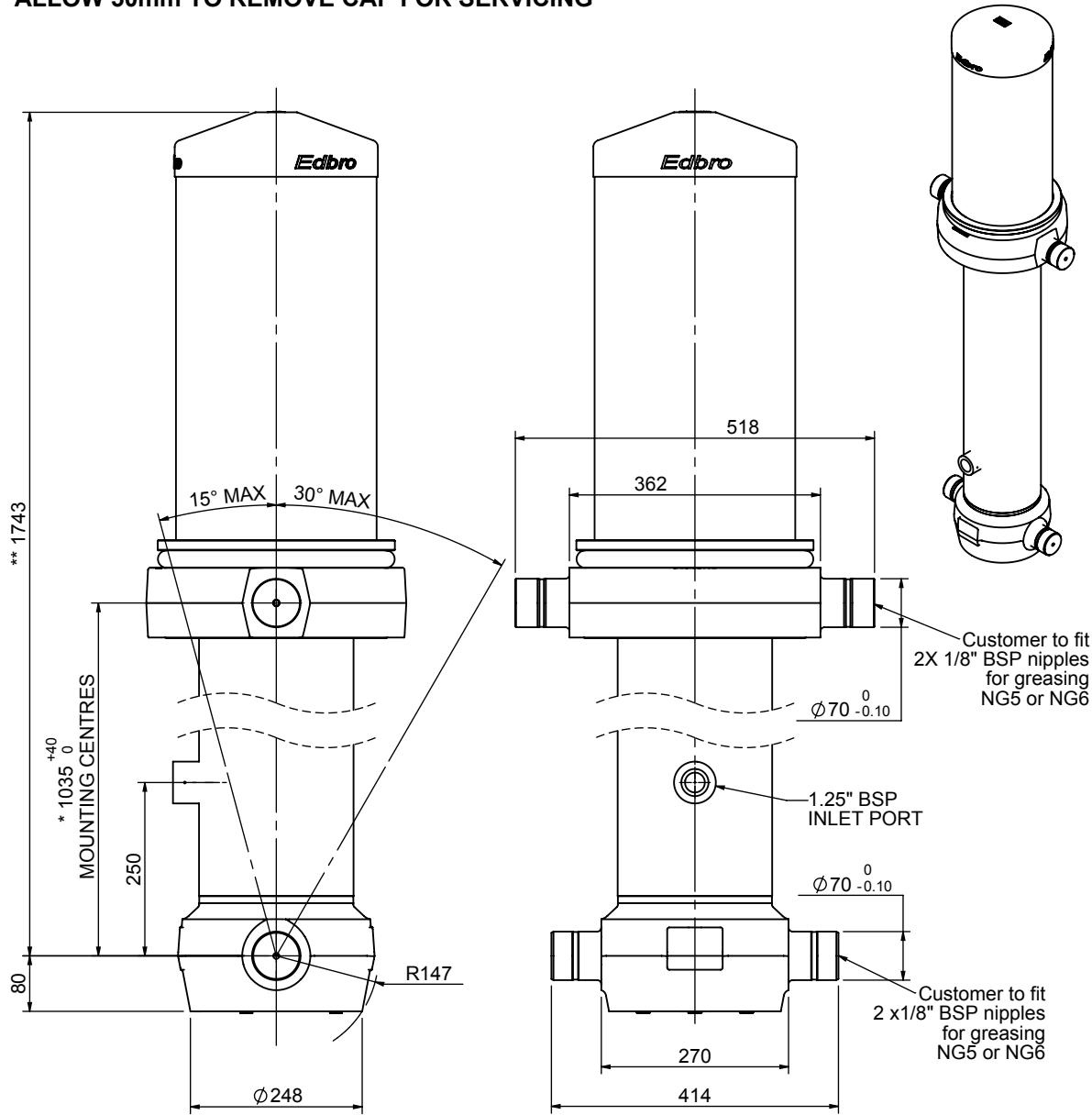


# Cylinder 5 stage front end with outer cover

**\*\*ALLOW 50mm TO REMOVE CAP FOR SERVICING**

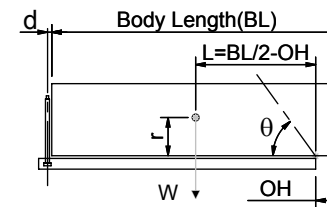


**\*Includes 11mm Pull Out.**

# CS190057178B25A15

SPECIFICATION		TIPPING CAPACITY : 47-65 TONNES***		
Stage	Diameter	Length	Stroke	Swept Volume
OUTER COVER	289	645	-	-
0	223	1678	-	-
1	198	1640	1403	43
2	176	1640	1427	35
3	155	1640	1437	27
4	136	1640	1447	21
5	117	1640	1462	16
Total (+5/-10)			7176	142
Final stroke reduced by	0	Priming Volume		28
Cylinder Mass (Kg)	379	Total Volume (Litres)		170
Maximum Pressure (Bar)	190	Max. first stage thrust		350 KN

## \*\*\*TIPPING CAPACITY AT WORKING PRESSURE



BODY LENGTH (BL)						OH
8350	8850	9350				
52	51°	49	48°	47	45°	150
58	53°	53	50°	50	47°	450
65	55°	59	52°	54	49°	750

$d = 229$ ;  $r = 900$ ; Working Pressure 150 bar

Tipping angle ( $\theta$ )

Body + payload mass,  $W$  (tonne)

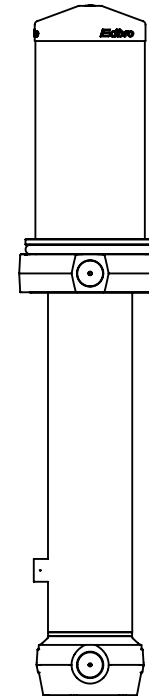
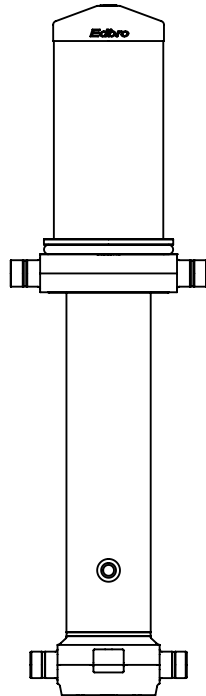
### For guidance only;

Higher working pressures and tipping capacities may be possible.

To check your application email - [applications@edbro.co.uk](mailto:applications@edbro.co.uk)

## NOTES

1. This cylinder is for lifting purposes only and side load conditions should be avoided
2. Cylinder is painted in primer paint to RAL5013
3. Refer to [www.edbro.com](http://www.edbro.com) for:-
  - Bracket details
  - Installation instructions that must be observed
  - Correct oil selection
  - An explanation of tipping capacity



CS190057178B25A15