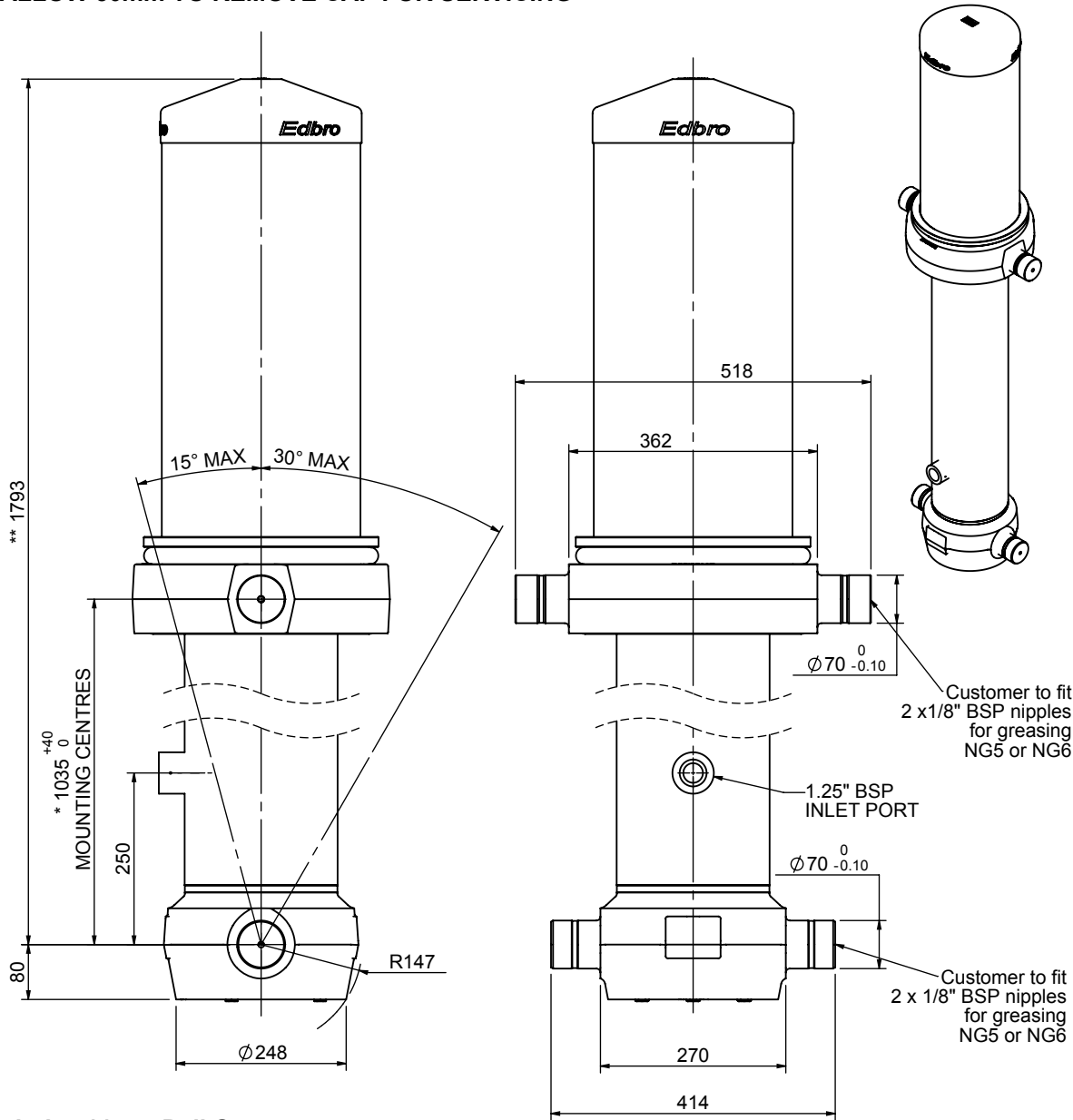


# Cylinder 5 stage front end with outer cover

**\*\*ALLOW 50mm TO REMOVE CAP FOR SERVICING**

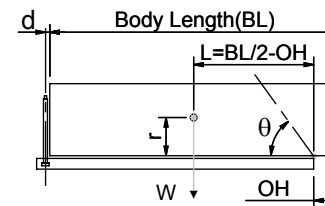


\*Includes 11mm Pull Out.

# CS190057428B25A15

SPECIFICATION		TIPPING CAPACITY : 46-62 TONNES***		
Stage	Diameter	Length	Stroke	Swept Volume
OUTER COVER	289	695	-	-
0	223	1728	-	-
1	198	1690	1453	45
2	176	1690	1477	36
3	155	1690	1487	28
4	136	1690	1497	22
5	117	1690	1512	16
Total (+5/-10)			7426	147
Final stroke reduced by	0	Priming Volume		29
Cylinder Mass (Kg)	388	Total Volume (Litres)		176
Maximum Pressure (Bar)	190	Max. first stage thrust		350 KN

## \*\*\*TIPPING CAPACITY AT WORKING PRESSURE



BODY LENGTH (BL)						OH
8750	9250	9750				
51	50°	48	47°	46	45°	150
56	52°	52	49°	49	46°	450
62	54°	57	51°	53	48°	750

$d = 229$ ;  $r = 900$ ; Working Pressure 150 bar

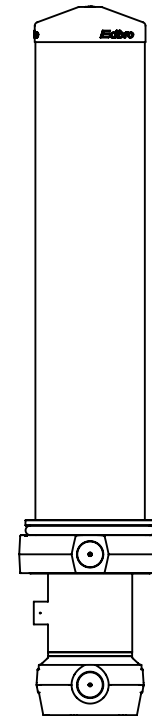
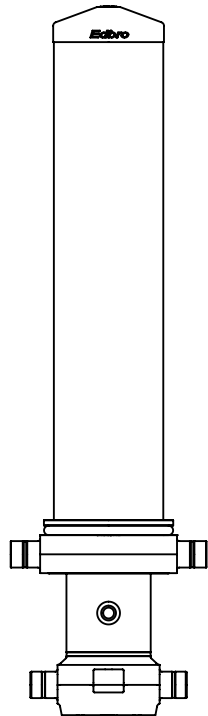
### For guidance only;

Higher working pressures and tipping capacities may be possible.

To check your application email - [applications@edbro.co.uk](mailto:applications@edbro.co.uk)

## NOTES

1. This cylinder is for lifting purposes only and side load conditions should be avoided
2. Cylinder is painted in primer paint to RAL5013
3. Refer to [www.edbro.com](http://www.edbro.com) for:-
  - Bracket details
  - Installation instructions that must be observed
  - Correct oil selection
  - An explanation of tipping capacity



CS190057428B19A11