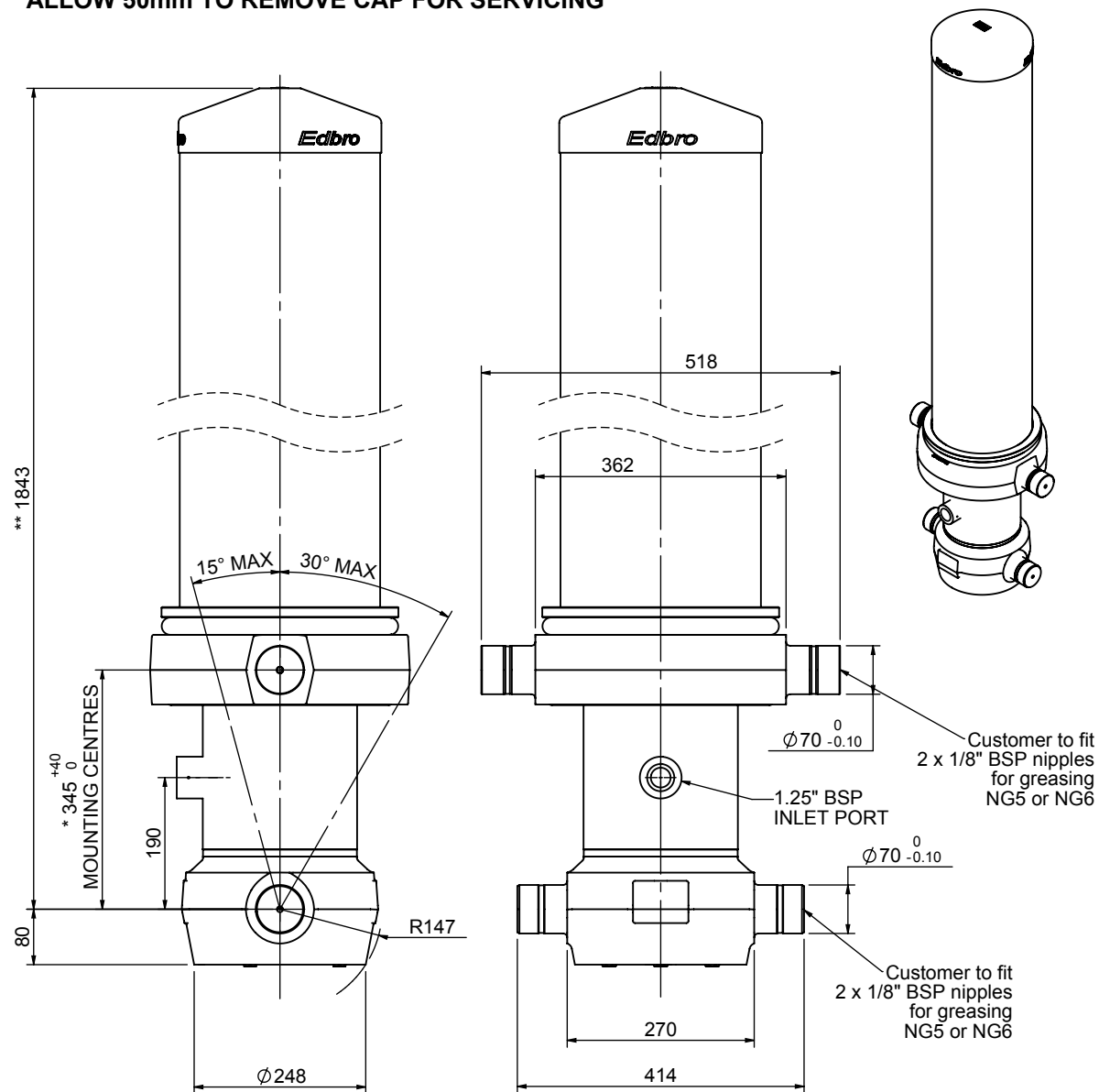


Cylinder 5 stage front end with outer cover

****ALLOW 50mm TO REMOVE CAP FOR SERVICING**

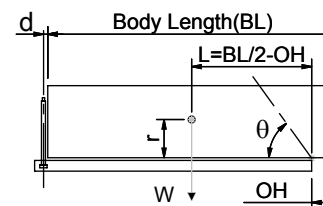


*Includes 11mm Pull Out.

CS190057678B19A11

SPECIFICATION		TIPPING CAPACITY : 53-69 TONNES***		
Stage	Diameter	Length	Stroke	Swept Volume
OUTER COVER	289	1435	-	-
0	223	1778	-	-
1	198	1740	1503	46
2	176	1740	1527	37
3	155	1740	1537	29
4	136	1740	1547	22
5	117	1740	1562	17
Total (+5/-10)			7676	151
Final stroke reduced by	0	Priming Volume		16
Cylinder Mass (Kg)	422	Total Volume (Litres)		167
Maximum Pressure (Bar)	190	Max. first stage thrust		350 KN

***TIPPING CAPACITY AT WORKING PRESSURE



BODY LENGTH (BL)						OH
9250	9750	10250				
58	49°	55	46°	53	44°	150
63	51°	59	48°	57	45°	450
69	52°	64	49°	61	47°	750

d = 229; r = 900; Working Pressure 175 bar

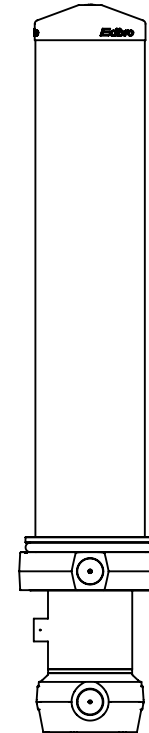
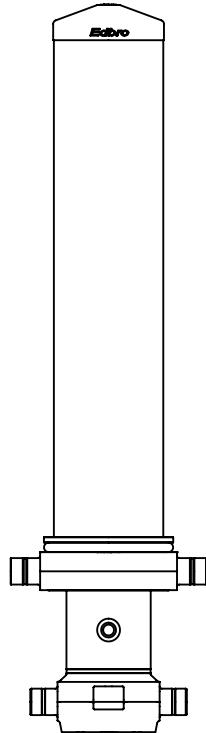
Tipping angle (θ)
Body + payload mass, W (tonne)

For guidance only;

Higher working pressures and tipping capacities may be possible.
To check your application email - applications@edbro.co.uk

NOTES

1. This cylinder is for lifting purposes only and side load conditions should be avoided
2. Cylinder is painted in primer paint to RAL5013
3. Refer to www.edbro.com for:-
 - Bracket details
 - Installation instructions that must be observed
 - Correct oil selection
 - An explanation of tipping capacity



CS190057678B19A11